



INDUSTRIAL SHIELDS

M-DUINO PLC ARDUINO

ETHERNET 21 I/Os ANALOG/DIGITAL

PLUS

PLC ARDUINO ETHERNET 21 I/Os  
ANALOG/DIGITAL PLUS



# Ethernet PLC M-Duino 21 PLUS User Guide

**Revised December 2024**

## Preface

This User Guide has been implemented by Boot & Work, S.L. working under the name Industrial Shields.

### Purpose of the manual

The information contained in this manual can be used as a reference to operating, to functions, and to the technical data of the signal modules, power supply modules and interface modules.

### Intended Audience

This User Guide is intended for the following audience:

- Persons in charge of introducing automation devices.
- Persons who design automation systems.
- Persons who install or connect automation devices.
- Persons who manage working automation installation.



### Warnings:

- Unused pins should not be connected. Ignoring the directive may damage the controller.
- Improper use of this product may severely damage the controller.
- Refer to the controller's User Guide regarding wiring considerations.
- Before using this product, it is the responsibility of the user to read the product's User Guide and all accompanying documentation.
- Maintenance must be performed by qualified personnel familiarized with the construction, operation, and hazards involved with the control.
- Maintenance should be performed with the control out of operation and disconnected from all sources of power.
- Care should be taken when servicing electrostatic sensitive components. The manufacturer's recommendations for these components should be followed.

- The M-Duino Family PLCs are Open Type Controllers. It is required that you install the M-Duino PLC in a housing, cabinet, or electric control room. Entry to the housing, cabinet, or electric control room should be limited to authorized personnel. Failure to follow these installation requirements could result in severe personal injury and/or property damage. Always follow these requirements when installing M-Duino family PLCs.
- In case of installation or maintenance of the M-Duino please follow the instructions marked in the Installation and Maintenance section.
- Do not disconnect equipment when a flammable or combustible atmosphere is present. Disconnection of equipment when a flammable or combustible atmosphere is present may cause a fire or explosion which could result in death, serious injury and/or property damage.



### Avertissements:

- Les broches non utilisées ne doivent pas être connectées. Ignorer la directive peut endommager le contrôleur.
- Une utilisation incorrecte de ce produit peut endommager gravement le contrôleur.
- Reportez-vous au Guide de l'utilisateur du contrôleur pour les considérations de câblage.
- Avant d'utiliser ce produit, il incombe à l'utilisateur de lire le Guide de l'utilisateur du produit et la documentation qui l'accompagne.
- La maintenance doit être effectuée par personnel qualifié familiarisé avec la fabrication, le fonctionnement et les dangers liés au contrôleur.
- La maintenance doit être effectuée avec l'équipement hors service et déconnectée de toutes les sources d'alimentation.
- Faites attention lors de l'entretien des composants sensibles à l'électricité statique. Les recommandations du fabricant pour ces composants doivent être suivies.
- Les automates de la famille M-Duino sont des contrôleurs de type ouvert. Il est nécessaire d'installer l'automate M-Duino dans un boîtier, une armoire ou une salle de contrôle électrique. L'accès au boîtier, à l'armoire ou à la salle de commande électrique doit être limité au personnel autorisé. Le non-respect de ces exigences d'installation peut entraîner des blessures graves et/ou des dommages matériels importants. Respectez toujours ces exigences lors de l'installation des automates de la famille M-Duino.
- En cas d'installation ou de maintenance du M-Duino, veuillez suivre les instructions indiquées dans la section Installation et Maintenance.
- Ne débranchez pas l'équipement en présence d'une atmosphère inflammable ou combustible. La déconnexion de l'équipement en présence d'une atmosphère inflammable ou combustible peut provoquer un incendie ou une explosion pouvant entraîner la mort, des blessures graves et/ou des dommages matériels.



## Application Considerations and Warranty

### Read and Understand this Manual

Please read and understand this manual before using the product. Please consult your comments or questions to Industrial Shields before using the product.

### Application Consideration

THE PRODUCTS CONTAINED IN THIS DOCUMENT ARE NOT SAFETY RATED. THEY SHOULD NOT BE RELIED UPON AS A SAFETY COMPONENT OR PROTECTIVE DEVICE FOR ENSURING SAFETY OF PERSONS, AS THEY ARE NOT RATED OR DESIGNED FOR SUCH PURPOSES.

Please know and observe all prohibitions of use applicable to the products.

FOR AN APPLICATION INVOLVING SERIOUS RISK TO LIFE OR PROPERTY WITHOUT ENSURING THAT THE SYSTEM AS A WHOLE HAS BEEN DESIGNED TO ADDRESS THE RISKS, NEVER USE THE INDUSTRIAL SHIELDS PRODUCTS.

NEVER USE THE INDUSTRIAL SHIELDS PRODUCTS BEFORE THEY ARE PROPERLY RATED AND INSTALLED FOR THE INTENDED USE WITHIN THE OVERALL EQUIPMENT OR SYSTEM.

Industrial Shields shall not be responsible for conformity with any codes, regulations or standards that apply to the combination of products in the customer's application or use of the product.

The following are some examples of applications for which particular attention must be given. This is not intended to be an exhaustive list of all possible uses of the products, nor is it intended to imply that the uses may be suitable for the products:

- Systems, machines, and equipment that could present a risk to life or property.
- Nuclear energy control systems, combustion systems, railroad systems, aviation systems, medical equipment, amusement machines, vehicles, safety equipment, and installation subject to separate industry or government regulations.
- Outdoor use, uses involving potential chemical contamination or electrical interference, or conditions or uses not described in this document.

At the customer's request, INDUSTRIAL SHIELDS will provide applicable third party certification documents identifying ratings and limitations of use that apply to the products. This information by itself is not sufficient for a complete determination of the suitability of the products in combination with the system, machine, end product, or other application or use.

## Intended use or of Industrial Shields products

Consider the following:

Industrial Shields products should only be used for the cases of application foreseen in the catalogue and the associated technical documentation. If third-party products and components are used, they must have been recommended or approved by Industrial Shields.

The correct and safe operation of the products requires that your transport, storage, installation, assembly, operation and maintenance have been carried out in a correct It must respect the permissible ambient conditions. You should also follow the indications and warnings that appear in the associated documentation.

The product / system dealt with in this documentation should only be handled or manipulated by qualified personnel for the task entrusted and observing what is indicated in the documentation corresponding to it, particularly the safety instructions and warnings included in it. Due to their training and experience, qualified personnel are in a position to recognize risks resulting from the handling or manipulation of such products / systems and to avoid possible hazards.

## Disclaimers

### Weights and Dimensions

Dimensions and weights are nominal and they are not used for manufacturing purposes, even when tolerances are shown.

### Performance Data

The performance data given in this manual is provided as a guide for the user in determining suitability and does not constitute a warranty. It may represent the result of INDUSTRIAL SHIELDS's test conditions, and the users most correlate it to actual application requirements. Actual performance is subject to the INDUSTRIAL SHIELDS Warranty and Limitations of Liability.

### Errors and Omissions

The information in this document has been carefully checked and is believed to be accurate; however, no responsibility is assumed for clerical, typographical, or proofreading errors, or omissions.

The control and drive components of an Industrial Shields PLC are approved for industrial and commercial use in industrial line supplies. Their use in public line supplies requires a different configuration and/or additional measures. These components may only be operated in closed housings or in higher-level control cabinets with protective covers that are closed, and when all of the protective devices are used. These components may only be handled by qualified and trained technical personnel who are knowledgeable and observe all of the safety information and instructions on the components and in the associated technical user documentation. When carrying out a risk assessment of a machine in accordance with the EU Machinery Directive, the machine manufacturer must consider the following residual risks associated with the control and drive components of a PDS.

1. Unintentional movements of driven machine components during commissioning, operation, maintenance, and repairs caused by, for example: – Hardware defects and/or software errors in the sensors, controllers, actuators, and connection technology – Response times of the controller and drive – Operating and/or ambient conditions not within the scope of the specification – Condensation / conductive contamination – Parameterization, programming, cabling, and installation errors – Use of radio devices / cellular phones in the immediate vicinity of the controller – External influences / damage.
2. Exceptional temperatures as well as emissions of noise, particles, or gas caused by, for example: – Component malfunctions – Software errors – Operating and/or ambient conditions not within the scope of the specification – External influences / damage.
3. Hazardous shock voltages caused by, for example: – Component malfunctions – Influence of electrostatic charging – Induction of voltages in moving motors – Operating and/or ambient conditions not within the scope of the specification – Condensation / conductive contamination – External influences / damage
4. Electrical, magnetic and electromagnetic fields generated in operation that can pose a risk to people with a pacemaker, implants or metal replacement joints, etc. if they are too close.
5. Release of environmental pollutants or emissions as a result of improper operation of the system and/or failure to dispose of components safely and correctly.

## Warranty and Limitations of Liability

### Warranty

Industrial Shields's exclusive warranty is that the products are free from defects in materials and workmanship for a period of one year (or other period if specified) from date of sale by Industrial Shields.

INDUSTRIAL SHIELDS MAKES NO REPRESENTATION OR WARRANTY, EXPRESSED OR IMPLIED, REGARDING MERCHANTABILITY, NON-INFRINGEMENT, OR FITNESS FOR PARTICULAR PURPOSE OF THE PRODUCTS. ANY BUYER OR USER ACKNOWLEDGES THAT THE BUYER OR USER ALONE HAS DETERMINED THAT THE PRODUCTS WILL SUITABLY MEET THE REQUIREMENTS OF THEIR INTENDED USE. INDUSTRIAL SHIELDS DISCLAIMS ALL OTHER WARRANTIES, EXPRESS OR IMPLIED

### Limitations of Liability

INDUSTRIAL SHIELDS SHALL NOT BE RESPONSIBLE FOR SPECIAL, INDIRECT, OR CONSEQUENTIAL DAMAGES, LOSS OF PROFITS OR COMERCIAL LOSS IN ANY WAY CONNECTED WITH THE PRODUCTS, WHETHER SUCH CLAIM IS BASED ON CONTRACT, WARRANTY, NEGLIGENCE, OR STRICT LIABILITY.

IN NO EVENT SHALL INDUSTRIAL SHIELDS BE RESPONSIBLE FOR WARRANTY, REPAIR OR OTHER CLAIMS REGARDING THE PRODUCTS UNLESS INDUSTRIAL SHIELDS'S ANALYSIS CONFIRMS THAT THE PRODUCTS WERE PROPERLY HANDLED, STORED, INSTALLED, AND MAINTAINED AND NOT SUBJECT TO CONTAMINATION, ABUSE, MISUSE, OR INAPPROPRIATE MODIFICATION OR REPAIR.

## ETL Listing Mark-Direct Imprint information



Conforms to UL Std. 61010-1  
Conforms to UL Std. 61010-2-201  
Certified to CSA Std. C22.2 No. 61010-1  
Certified to CSA Std. C22.2 No. 61010-2-201

# Table of Contents

|  |           |
|--|-----------|
| <b>1 General Description M-DUINO 21 I/Os PLUS product.....</b>     | <b>10</b> |
| 1.1 Zone - Nomenclature.....                                       | 10        |
| 1.2 Zone Distribution.....   | 11        |
| 1.3 A Zone Features.....   | 12        |
| 1.4 Mechanical dimension.....                                      | 12        |
| 1.5 General Features.....  | 13        |
| <b>2 Technical Specifications.....</b>                             | <b>15</b> |
| 2.1 General Specifications.....                                    | 15        |
| 2.2 Performance Specification.....                                 | 15        |
| 2.3 Symbology.....   | 16        |
| <b>3 Precautions.....</b>  | <b>17</b> |
| 3.1 Arduino Board.....   | 17        |
| 3.2 Intended Audience.....   | 17        |
| 3.3 General Precautions.....                                       | 17        |
| 3.4 Isolation Precautions.....                                     | 17        |
| <b>4 Software interface.....</b>                                   | <b>18</b> |
| <b>5 How to connect PLC Arduino to PC.....</b>                     | <b>21</b> |
| <b>6 How to connect PLC to power supply.....</b>                   | <b>23</b> |
| <b>7 M-Duino 21 I/Os PLUS Pinout.....</b>                          | <b>24</b> |
| 7.1 A Zone connection.....   | 24        |
| 7.2 B Zone (Analog Shield).....                                    | 26        |
| <b>8 Switch Configuration.....</b>                                 | <b>27</b> |
| 8.1 A Zone: Communications.....                                    | 27        |
| 8.2 B Zone Switches.....   | 29        |
| <b>9 M-Duino Arduino I/Os 5V pins.....</b>                         | <b>30</b> |
| 9.1 I2C pins – SDA/SCL.....  | 30        |
| 9.2 Serial 0 – RX0/TX0.....  | 30        |
| 9.3 Serial 1 – RX1/TX1.....  | 31        |
| 9.4 SPI – MISO/MOSI/SCK.....                                       | 31        |
| 9.5 Pin 2/Pin 3.....   | 31        |
| <b>10 A Zone Features: Communications &amp; RTC &amp; uSD.....</b> | <b>32</b> |
| 10.1 RS-232.....   | 32        |
| 10.2 RS-485.....   | 32        |
| 10.3 I2C.....  | 32        |
| 10.4 SPI.....  | 33        |
| 10.5 TTL.....  | 33        |

10.6 Ethernet..... 33

10.7 RTC..... 34

10.8 uSD..... 34

**11 Instructions for interconnection between Industrial Shields controllers..... 36**

11.1 RS-232 Communication:.....36

11.2 RS-485 Communication:.....36

    11.2.1 Half Duplex..... 36

    11.2.2 Full Duplex..... 36

11.3 Ethernet..... 37

**12 I/O technical details.....38**

**13 Typical Connections..... 40**

**14 Connector details:.....45**

**15 Mechanical Characteristics.....46**

**16 Installation and Maintenance..... 47**

**17 Revision Table.....50**



INDUSTRIAL SHIELDS

## 1 General Description M-DUINO 21 I/Os PLUS product

### 1.1 Zone - Nomenclature

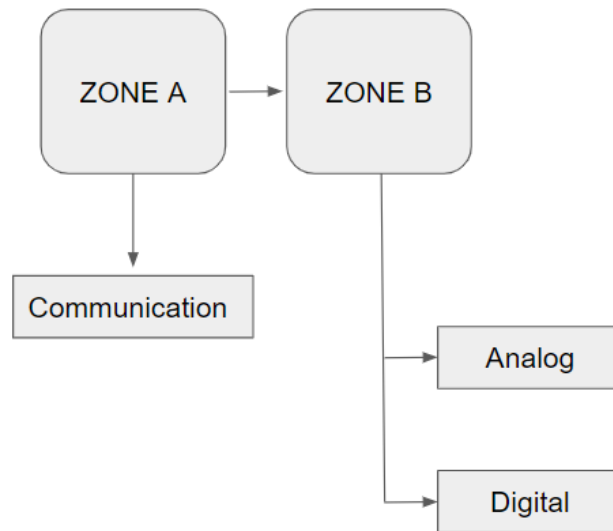
The nomenclature shown in this point will be used in the whole User Guide, so it is important to understand this nomenclature.

The nomenclature to differentiate the zones is based on the Alphabet, being A the shield from below and B the shield from above. It has 2 zones (A, B):

- The inputs in the zone B are named IO.X, being X any number suitable in the Shield. Outputs are named as QO.X.



## 1.2 Zone Distribution



The distribution of the different features that provide the M-Duino 21 I/Os PLUS is the following one:

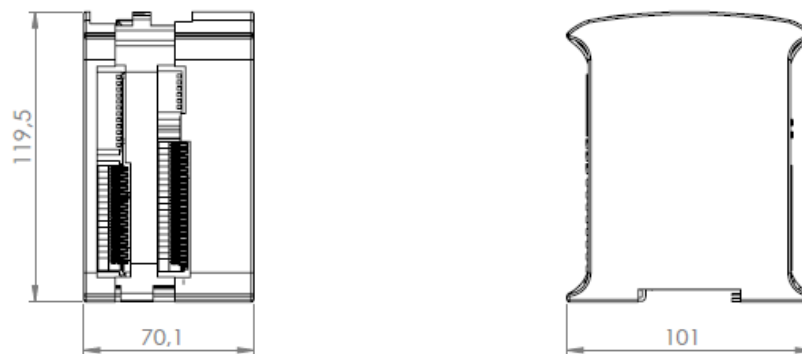
| Shield        | B Zone   |
|---------------|--|
| Analog Shield | <p>13 Inputs<br/>(13 Digital inputs, 6 of which can work as Analog Input)</p> <p>8 Outputs<br/>(8 Digital Outputs, 3 of which can work as Analog Output)</p> |



### 1.3 A Zone Features

| Shield               | A Zone  |
|----------------------|---|
| Communication Shield | (1x) Ethernet<br>(1x) USB<br>(1x) I2C<br>(3x) TTL<br>(1x) RS-232<br>(1x) HALF/FULL Duplex RS-485<br>(1x) SPI external Port<br>(1x) RTC<br>(1x) uSD Socket |

### 1.4 Mechanical dimension



## 1.5 General Features

| CONECTABLE PLC ARDUINO 24Vcc M-DUINO                   |   |   |
|--|---|---|
| MODEL TYPE   | A+B Zone  |   |
| <b>Input Voltage</b>                                   | 12 to 24Vdc<br>===  | Fuse protection (2.5A)<br>Polarity protection   |
| <b>Input rated voltage</b>                             | 24 Vdc<br>===   |   |
| <b>Rated Power</b>                                     | 30 W  |   |
| <b>I max.</b>  | 1.5A  |   |
| <b>Size</b>  | 101x70.1x119.5  |   |
| <b>Clock Speed</b>                                     | 16MHz   |   |
| <b>Flash Memory</b>                                    | 256KB of which 8KB used by bootloader   |   |
| <b>SRAM</b>  | 8KB   |   |
| <b>EEPROM</b>  | 4KB   |   |
| <b>Communications</b>                                  | I2C – Ethernet Port – USB – RS485 – RS232 – SPI – (2x)<br>Rx, Tx (Arduino pins)   | Max232-Max485-W5500                             |
| <b>USB consideration!</b>                              | <b>Only meant for uploading or debugging, not always connected as a serial in a project!</b>  | <b>Cannot be working in a final application</b> |
| <b>An/Dig Input 10bit</b><br>(0-10Vcc)                 | 0 to 10Vac<br>Input Impedance: 39K<br>Separated PCB ground<br>Rated Voltage: 10Vac<br><br>5 to 24Vdc<br>I min: 2 to 12 mA<br>Galvanic Isolation<br>Rated Voltage: 24 Vdc<br>=== |   |
| <b>Digital Isolated Input</b><br>(24Vcc)               | 5 to 24Vdc<br>I min: 2 to 12 mA<br>Galvanic Isolation<br>Rated Voltage: 24 Vdc<br>===   |   |
| <b>* Interrupt isolated Input</b><br><b>HS</b> (24Vcc) | 5 to 24Vdc<br>I min: 2 to 12 mA<br>Galvanic Isolation<br>Rated Voltage: 24Vdc<br>===  |   |
| <b>Analog Output 8bit</b><br>(0-10Vcc)                 | 0 to 10Vac<br>I max: 20 mA<br>Separated PCB ground<br>Rated Voltage: 10Vac<br>===   |   |
| <b>Digital Isolated Output</b><br>(24Vcc)              | 5 to 24Vdc<br>I max: 70 mA<br>Galvanic Isolation<br>Diode Protected for Relay<br>Rated Voltage: 24Vdc<br>===  | I <sub>max</sub> 24Vdc: 410 mA                  |

|   |   |  |
|---|---|--|
| <p><b>Digital Isolated Output</b><br/>Relay</p>                                       | <p>220V Vdc<br/>I max: 5A<br/>Galvanic Isolation<br/>Diode protected for Relay</p> <p>===</p>                               |  |
| <p><b>PWM Isolated Output</b><br/><b>8bit</b> (24Vcc)</p>                             | <p>5 to 24Vdc<br/>I max: 70 mA<br/>Galvanic Isolation<br/>Diode Protected for Relay<br/>Rated Voltage: 24Vdc</p> <p>===</p> |  |
| <p><b>Expandability</b></p>   | <p>I2C - 127 elements - Serial Port RS232/RS485</p>   |  |
| <p><b>* By using this type of signal can no longer use Digital signal (24Vdc)</b></p> |   |  |

## 2 Technical Specifications

### 2.1 General Specifications




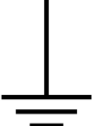




| Item                            |                              | M-Duino PLC Arduino Ethernet 21 I/Os Analog/Digital PLUS   |
|---------------------------------|------------------------------|--|
| Power supply voltage            | DC power supply              | 12 to 24Vdc  |
| Operating voltage range         | DC power supply              | 11.4 to 25.4Vdc - - -  |
| Power consumption               | DC power supply              | 30W max.   |
| External power supply           | Power supply voltage         | 24Vdc - - -  |
|                                 | Power supply output capacity | 700Ma  |
| Insulation resistance           |                              | 20MΩ min.at 500Vdc between the AC terminals and the protective earth terminal.   |
| Dielectric strength             |                              | 2.300 VAC at 50/60 Hz for one minute with a leakage current of 10mA max. Between all the external AC terminals and the protective ground terminal. |
| Shock resistance                |                              | 80m/s <sup>2</sup> in the X, Y and Z direction 2 times each.   |
| Ambient temperature (operating) |                              | 0° to 60°C   |
| Ambient humidity (operating)    |                              | 10% to 90% (no condensation)   |
| Ambient environment (operating) |                              | With no corrosive gas  |
| Ambient temperature (storage)   |                              | -20° to 60°C   |
| Power supply holding time       |                              | 2ms min.   |
| Weight                          |                              | 378g max.  |

### 2.2 Performance Specification

|                         |   |
|-------------------------|---|
| Arduino Board           | ARDUINO MEGA 2560   |
| Control method          | Stored program method   |
| I/O control method      | Combination of the cyclic scan and immediate refresh processing methods.  |
| Programming language    | Arduino IDE. Based on wiring (Wiring is an Open Source electronics platform composed of a programming language. "similar to the C". <a href="http://arduino.cc/en/Tutorial/HomePage">http://arduino.cc/en/Tutorial/HomePage</a> ) |
| Microcontroller         | ATmega2560  |
| Flash Memory            | 256KB of which 8KB are used by the bootloader   |
| Program capacity (SRAM) | 8KB   |
| EEPROM                  | 4KB   |
| Clock Speed             | 16MHz   |
| Clock Speed             | 16MHz   |

## 2.3 Symbology

Table that includes all the symbology that is used in the serigraph of the M-Duino PLC Arduino Ethernet 21 I/Os Analog/Digital PLUS:

| Symbol  | Standard No. / Standard Title                      | Standard Reference No. / Symbol Title | Symbol Meaning   |
|---|--|---------------------------------------|--|
|    | IEC 60417 / Graphical symbols for use on equipment | 5031 / Direct Current                 | Indicates that the equipment is suitable for direct current only; to identify relevant terminals               |
|    | IEC 60417 / Graphical symbols for use on equipment | 5032 / Alternating Current            | Indicates that the equipment is suitable for alternating current only; to identify relevant terminals          |
|    | IEC 60417 / Graphical symbols for use on equipment | 5130 / Pulse General                  | To identify the control by which a pulse is started.   |
|  | IEC 60417 / Graphical symbols for use on equipment | 5017 / Earth, Ground                  | To identify an earth (ground) terminal in cases where neither the symbol 5018 nor 5019 is explicitly required. |
|  | IEC 60417 / Graphical symbols for use on equipment | 5115 / Signal lamp                    | To identify the switch by means of which the signal lamp(s) is (are) switched on or off.                       |
|  | 2004/108/EC / Electromagnetic Compatibility        | CE Marking                            | CE marking indicates that a product complies with applicable European Union regulations                        |
|  | ISO 7000/ Graphical symbols for use on equipment   | 0434B / Warning symbol                | Indicates a potentially hazardous situation which, if not avoided, could result in death or serious injury     |
|  | ISO 7000/ Graphical symbols for use on equipment   | 5036 / Dangerous Voltage              | To indicate hazards arising from dangerous voltages  |

## 3 Precautions

Read this manual before attempting to use the M-Duino PLC Arduino Ethernet 21 I/Os Analog/Digital PLUS and follow its descriptions for reference during operation.

### 3.1 Arduino Board

The M-Duino 21 I/Os PLUS PLCs include Arduino Mega Board as controller.

### 3.2 Intended Audience

This manual is intended for technicians, which must have knowledge on electrical systems.

### 3.3 General Precautions

The user must operate M-Duino according to the performance specifications described in this manual.

Before using M-Duino under different conditions from what has been specified in this manual or integrating M-Duino to nuclear control systems, railroad systems, aviation systems, vehicles, combustion systems, medical equipment, amusement machines, safety equipment and other systems, machines, and equipment that may have a serious influence on lives and property if used improperly, consult your INDUSTRIAL SHIELDS representative. Ensure that the rating and performance characteristics of M-Duino are sufficient for the systems, machines, and equipment, and be sure to provide the systems, machines, and equipment double safety mechanisms. This manual provides information for programming and operating the M-Duino.

### 3.4 Isolation Precautions

#### Description:

This equipment does **not include galvanic isolation between the grounds** of the different systems. This means that if an external device or sensor that shares the same ground reference (GND) with the system is connected, any potential difference between these grounds could damage the connected components. To avoid issues with interference, ground loops, or damage to external equipment, ensure that all connected devices share the same ground reference or use systems with appropriate isolation.

#### Recommendations:

- **Connection Review:** Verify that all ground connections are properly made and that there are no significant potential differences between them.
- **Use of Isolation:** Consider using **galvanic isolators** or **isolation transformers** if it is necessary to connect equipment with different ground references.

## 4 Software interface

Industrial Shields PLC are programmed using Arduino IDE, which is a software based on the C language. They can also be programmed using directly C but it is much easier working with Arduino IDE as it provides lots of libraries that helps in the programming.

Industrial Shields provides boards for programming the PLCs much easier. Basically it is no needed to define the pins and if that pins are inputs or outputs. Everything is set up automatically if using the boards.

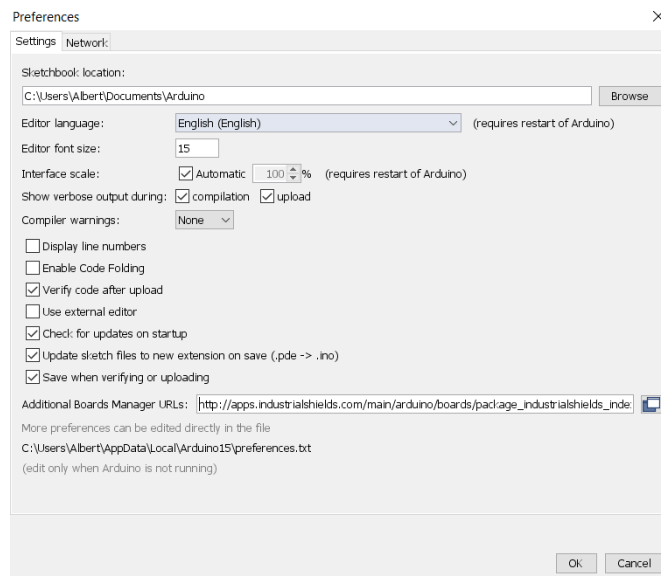
In order to install Industrial Shields boards, these are the steps that must be followed.

### Requirements:

Arduino IDE 1.8.0 or above (better to have always the latest version).

### Steps:

1. Open Arduino IDE and go to: "File -> Preferences" located in the top left corner.

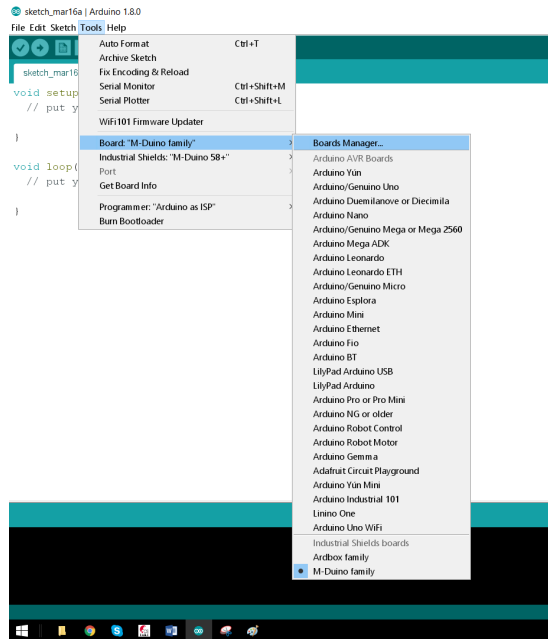


2. In Additional Boards Manager URLs write the following:

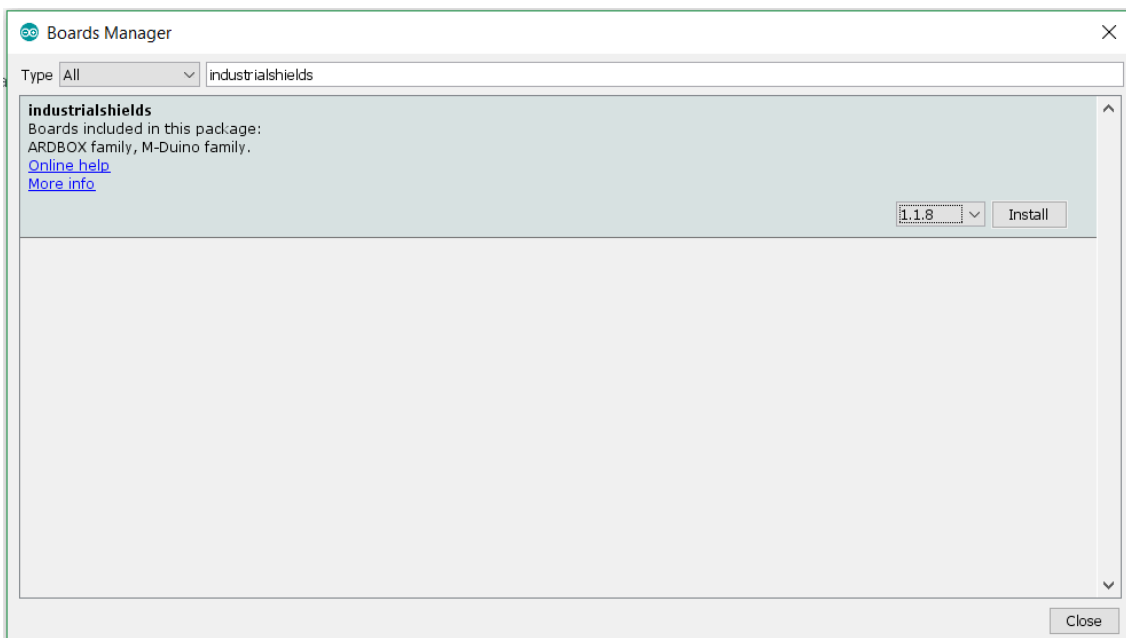
[http://apps.industrialshields.com/main/arduino/boards/package\\_industrialshields\\_index.json](http://apps.industrialshields.com/main/arduino/boards/package_industrialshields_index.json)

3. Press OK to save the changes.

4. Go to: Tools -> Board: ... -> Boards Manager



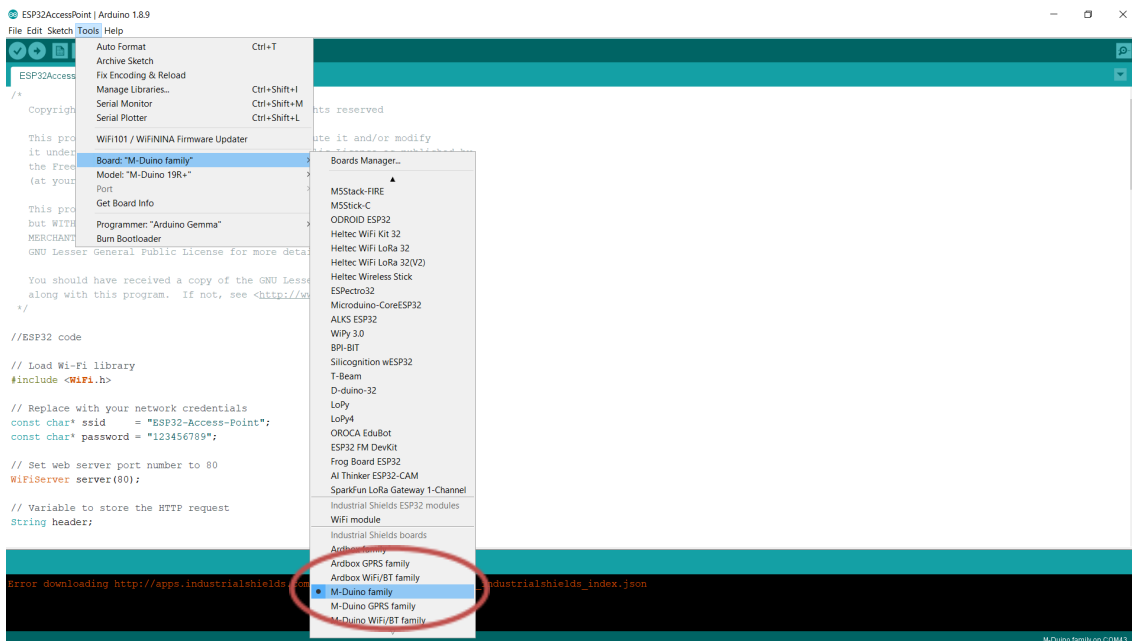
5. Search for “industrialshields” on the browser.





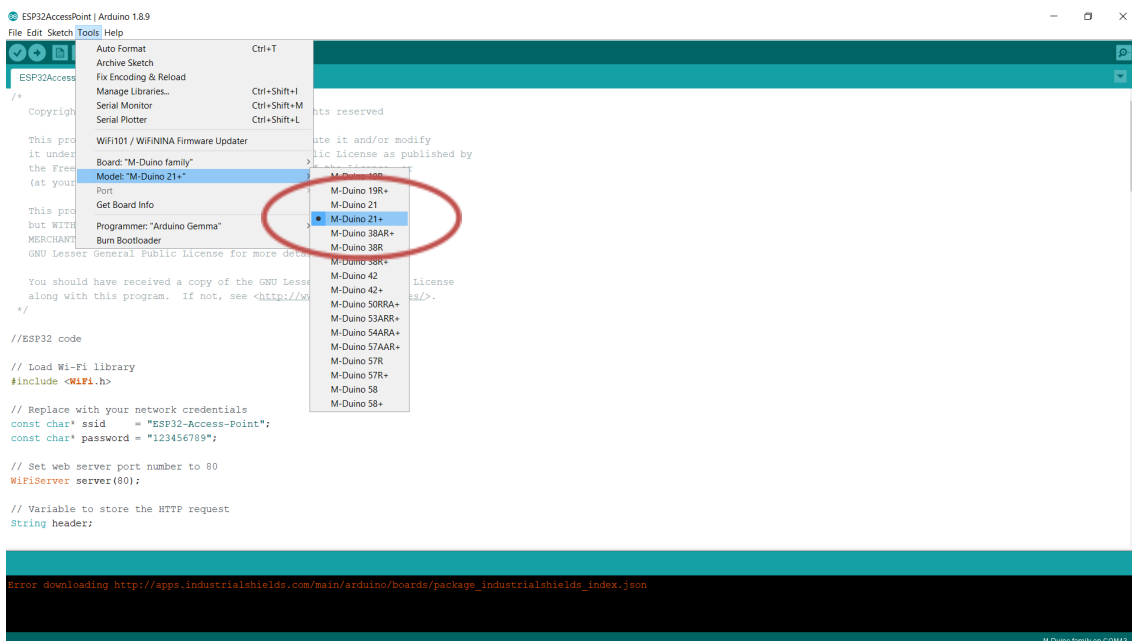
6. Click install (selecting the latest version).

Following these steps you will be able to see now the Industrial Shields Boards:



Once it is selected M-Duino Family, an extra option will appear on Tools:

There, it can be selected the exact model for every family.



Also there are some examples of programming in File -> Examples -> M-Duino Family.

Furthermore there are some extra libraries that can be found in Industrial Shields github.

<https://github.com/Industrial-Shields/>

## 5 How to connect PLC Arduino to PC

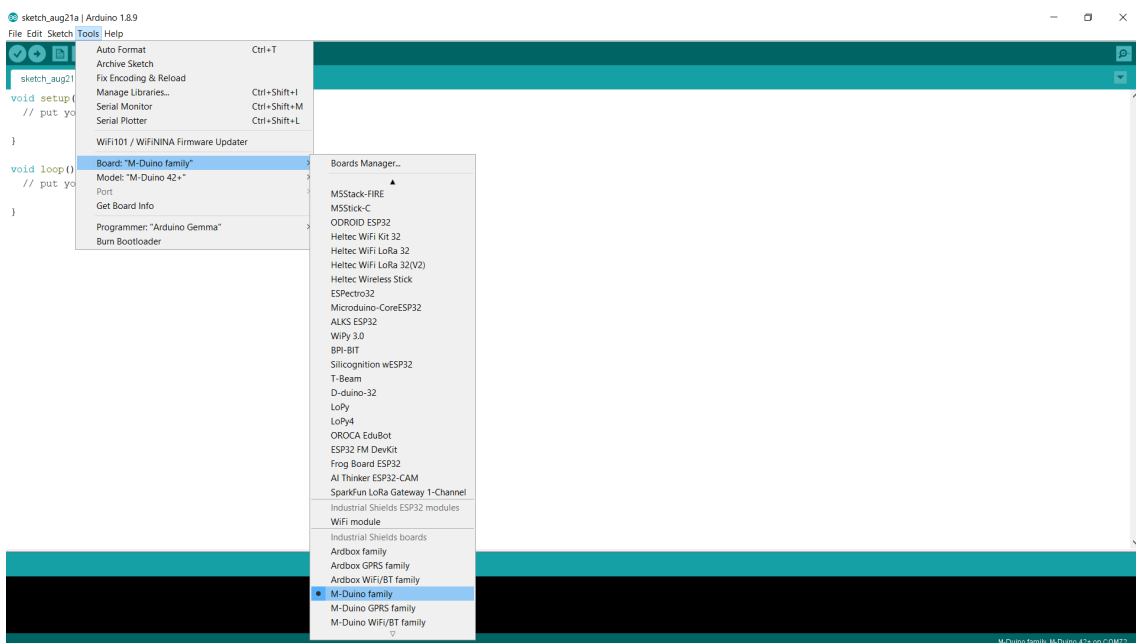
- Connect USB port from PLC to PC.

**NOTE:**

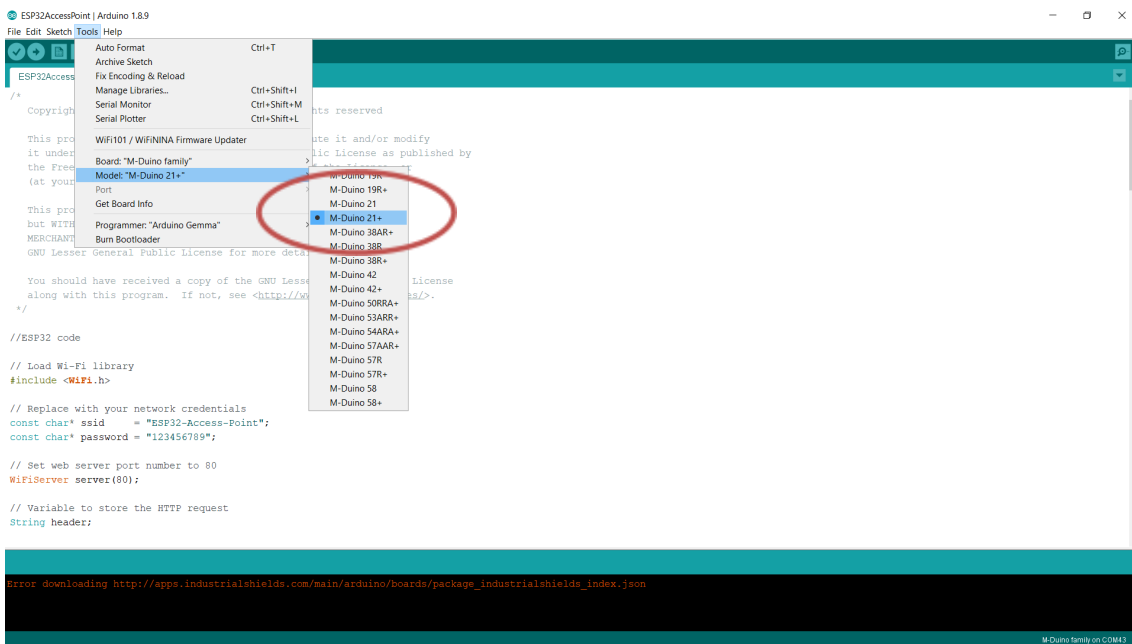
M-Duino 21 I/Os PLUS uses USB-B cable.



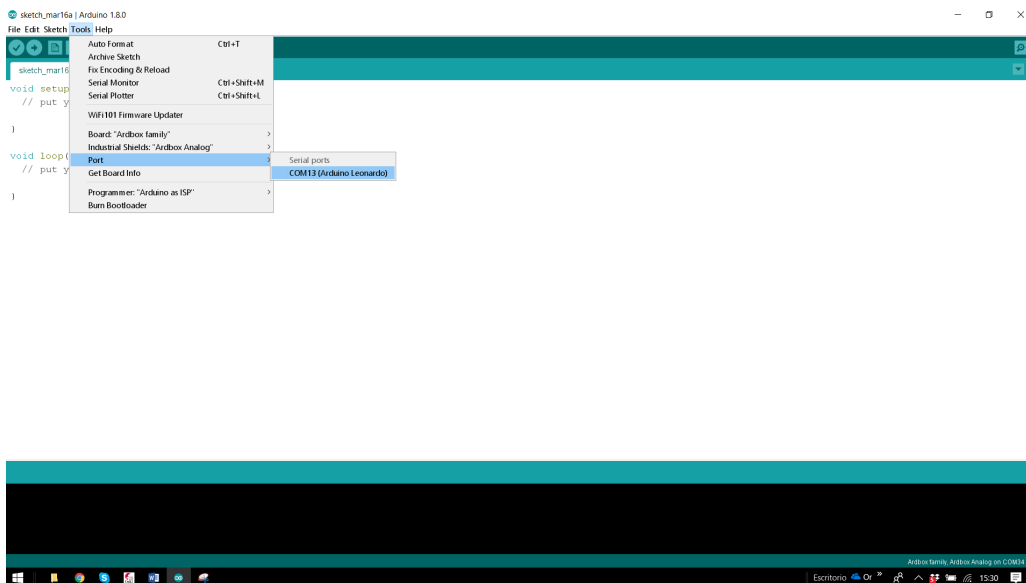
- Open Arduino IDE interface:
- Select Industrial Shields boards -> M-Duino Family



- Select the correct M-Duino Board (M-Duino 21+).

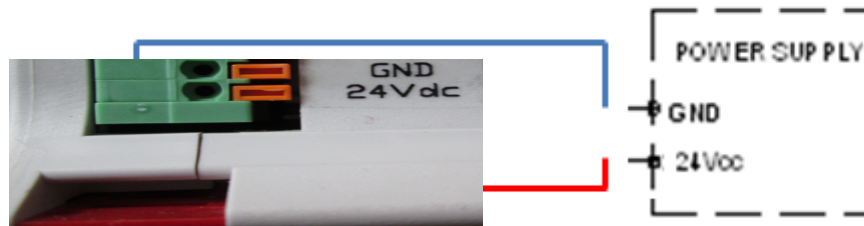


- Select the correct port.



## 6 How to connect PLC to power supply

- M-Duino 21 I/Os PLUS PLC is 12-24Vdc supplied. **IMPORTANT: The polarity IS NOT REVERSAL!**
- Make sure that the live and GND connector of the power supply match the PLC.
- Make sure that the power supply mains output is not higher than 24Vdc.



- Suggested power suppliers

Compact DIN rail power supply. Assembled on 35mm DIN Rail:  
 -12Vdc / 24Vdc  
 -2.5A  
 -30W

Industrial Shields power supplies provide parallel operation, overvoltage protection, and overcurrent protection. There is a LED indicator for power status, the power supply is certified according to UL.



The standard, Part 1 of IEC 61010, sets the general safety requirements for the following types of electrical devices and their accessories, regardless of where use of the device is intended.

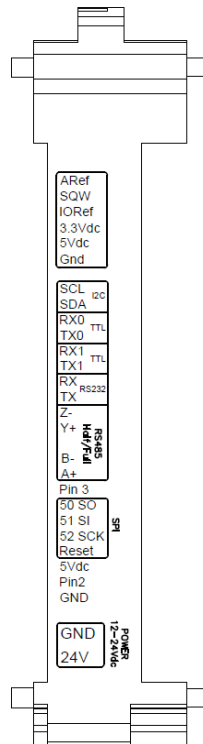
The equipment must be powered from an external power source in accordance with IEC 61010-1, whose output is MBTS and is limited in power according to section 9.4 of IEC 61010-1.

**WARNING:** Once the equipment is installed inside an electrical cabinet, the MTBS cables of the equipment must be separated from the dangerous voltage cables.

## 7 M-Duino 21 I/Os PLUS Pinout

### 7.1 A Zone connection

| Base<br>(common unit) |             |               |
|-----------------------|-------------|---------------|
| A Zone                |             |               |
| M-Duino Connector     | Arduino Pin | Function      |
| SCL                   | 21          | I2C/SS        |
| SDA                   | 20          | I2C/SS        |
| RX0                   | 1           | RX0/SS        |
| TX0                   | 0           | TX0/SS        |
| RX1                   | 19          | RX1/SS        |
| TX1                   | 18          | TX1/SS        |
| TX                    | 16          | RX2(serial 2) |
| RX                    | 17          | TX2(serial 2) |
| Z-                    | -           | RS485         |
| Y+                    | -           | RS485         |
| B-                    | -           | RS485         |
| A+                    | -           | RS485         |
| PIN3                  | 3           | Arduino Pin   |
| 50 SO                 | 50          | SPI           |
| 51 SI                 | 51          | SPI           |
| 52 SCK                | 52          | SPI           |
| Reset                 | Reset       | SPI           |
| Vin5                  | Vin5        | 5V            |
| PIN2                  | 2           | Arduino Pin   |
| GND                   | -           | Gnd           |
| GND                   | -           | Gnd           |
| 24Vdc                 | -           | Power Supply  |



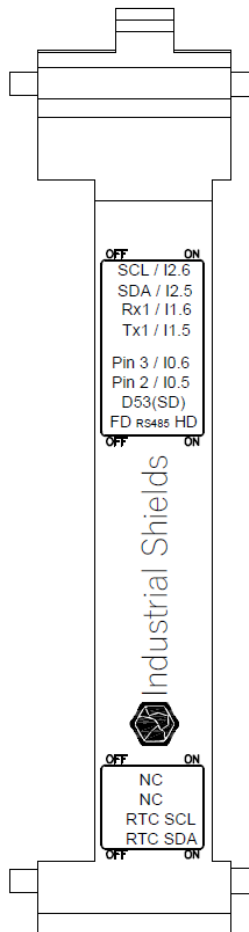
Configuration Switch\* (see section 8 for configuring the communications. Enabling communications disables some I/Os)

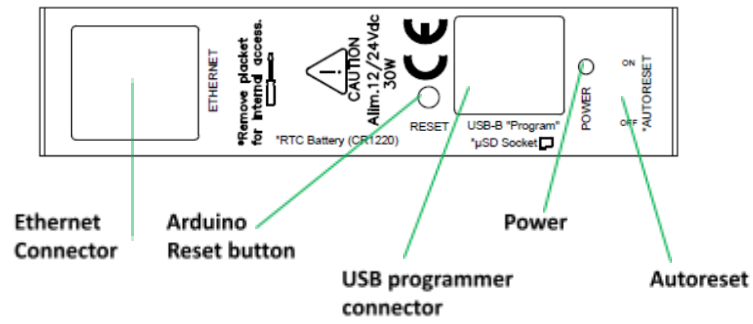
Communication Pins

Power supply connectors (24Vdc – GND)

SS: Chip Select pins. These pins can act as TTL, so they can work for the Chip Select pin of any device.

| Base<br>(common unit) |             |             |
|-----------------------|-------------|-------------|
| A Zone                |             |             |
| M-Duino Connector     | Arduino Pin | Function    |
| AREF                  | AREF        | Arduino PIN |
| IOREF2                | IOREF2      | Arduino PIN |
| IOREF1                | IOREF1      | Arduino PIN |
| 7Vdc                  | 7Vdc        | -           |
| GND                   | GND         | GND         |
| 3.3Vdc                | 3.3Vdc      | Arduino PIN |
| GND                   | GND         | GND         |
| 5Vdc                  | 5Vdc        | -           |
| GND                   | GND         | GND         |

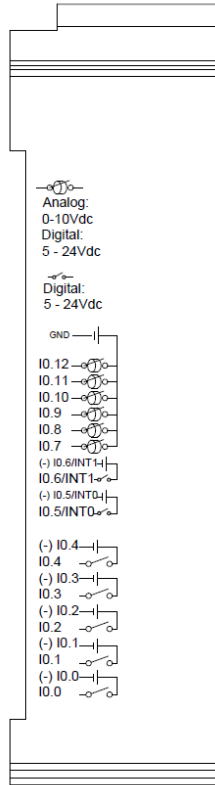




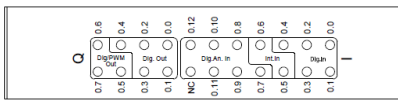
*\*NOTE: Autoreset. Arduino mega has auto reset when using serial communication code. Set switch to OFF when using serial communication. When uploading code to Arduino Mega set switch to ON.*

## 7.2 B Zone (Analog Shield)

| B Zone                 |             |                    |
|------------------------|-------------|--------------------|
| M-Duino Connector      | Arduino Pin | Function           |
| I0.12                  | 59          | Analog/ Digital In |
| I0.11                  | 58          | Analog/ Digital In |
| I0.10                  | 57          | Analog/ Digital In |
| I0.9                   | 56          | Analog/ Digital In |
| I0.8                   | 55          | Analog/ Digital In |
| I0.7                   | 54          | Analog/ Digital In |
| (-)I0.6/INT1           | -           | GND I0.6           |
| I0.6/INT1 <sup>1</sup> | 3           | Interrupt 1 In     |
| (-)I0.5/INT0           | -           | GND I0.5           |
| I0.5/INT0 <sup>1</sup> | 2           | Interrupt 0 In     |
| (-)I0.4                | -           | GND I0.4           |
| I0.4                   | 26          | Digital Input      |
| (-)I0.3                | -           | GND I0.3           |
| I0.3                   | 25          | Digital Input      |
| (-)I0.2                | -           | GND I0.2           |
| I0.2                   | 24          | Digital Input      |
| (-)I0.1                | -           | GND I0.1           |
| I0.1                   | 23          | Digital Input      |
| (-)I0.0                | -           | GND I0.0           |
| I0.0                   | 22          | Digital Input      |

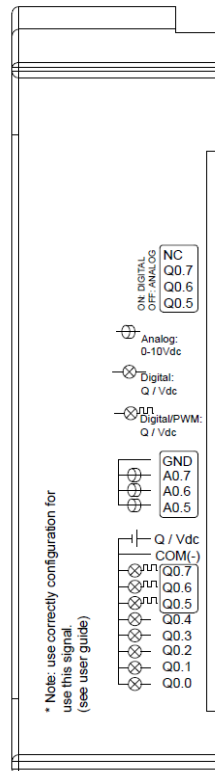


### Top Zone



Led indicator I/Os state

| B Zone            |             |                           |
|-------------------|-------------|---------------------------|
| M-Duino Connector | Arduino Pin | Function                  |
| GND               | GND         | GND                       |
| A0.7 <sup>1</sup> | 6           | Analog Out                |
| A0.6 <sup>1</sup> | 5           | Analog Out                |
| A0.5 <sup>1</sup> | 4           | Analog Out                |
| Q/Vdc             | -           | External Isolated Out Vdc |
| COM(-)            | -           | External Isolated Out     |
| Q0.7 <sup>1</sup> | 6           | GND                       |
| Q0.6 <sup>1</sup> | 5           | Digital/PWM Out           |
| Q0.5 <sup>1</sup> | 4           | Digital/PWM Out           |
| Q0.4              | 40          | Digital/PWM Out           |
| Q0.3              | 39          | Digital Out               |
| Q0.2              | 38          | Digital Out               |
| Q0.1              | 37          | Digital Out               |
| Q0.0              | 36          | Digital Out               |



Configuration Switch\*  
(see section 8 to select the correct configuration for outputs).

Analog Outputs

Voltage Supply/Reference for Digital/PWM Outputs (isolated)

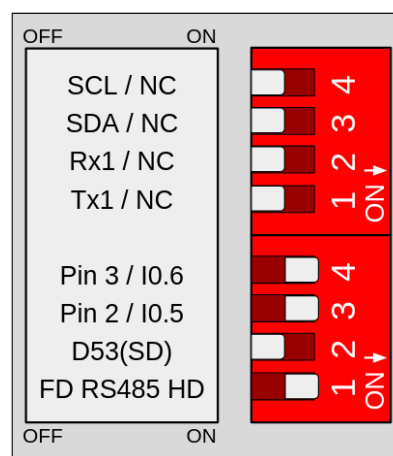
PWM/Digital Outputs

<sup>1</sup> See section 8 to select suitable switch configuration to enable these connections.

## 8 Switch Configuration

### 8.1 A Zone: Communications

| LEFT ZONE    |      |       |
|--------------|------|-------|
| Switch       | ON   | OFF   |
| D ZONE       |      |       |
| SCL/I2.6     | NC   | SCL   |
| SDA/I2.5     | NC   | SDA   |
| C ZONE       |      |       |
| RX1/I1.6     | NC   | RX1   |
| TX1/I1.5     | NC   | TX1   |
| B ZONE       |      |       |
| Pin 3/I0.6   | I0.6 | Pin 3 |
| Pin 2/I0.5   | I0.5 | Pin 2 |
| uSD & RS-485 |      |       |
| D53(SD)      | NC   | SD    |
| FD RS-485 HD | HD   | FD    |



4. SCL/NC: **Always at OFF Position!** Switch has to be OFF position to enable SCL, **never ON** because in this position is NC (Not Connected).

3. SDA/NC: **Always at OFF Position!** Switch has to be OFF position to enable SDA, **never ON** because in this position is NC (Not Connected).

2. RX1/NC: **Always at OFF Position!** Switch has to be OFF position to enable RX1 **never ON** because in this position is NC (Not Connected).

1. TX1/NC: **Always at OFF Position!** Switch has to be OFF position to enable TX1, **never ON** because in this position is NC (Not Connected).



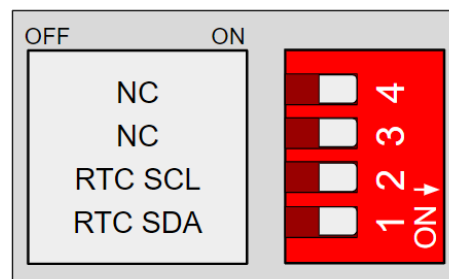
4. Pin 3/I0.6: Choosing between Pin 3 or the input I0.6. If this switch is ON, it enables the I0.6 input and disables the Pin 3. If this switch is OFF, it enables Pin 3 and disables I0.6.

3. Pin 2/I0.5: Choosing between Pin 2 or the input I0.5. If this switch is ON, it enables the I0.5 input and disables the Pin 2. If this switch is OFF, it enables Pin 2 and disables I0.5.

2. D53 (SD): **Always at OFF Position!** Switch has to be OFF position to enable the Chip Select of the microSD card, **never ON** because in this position is NC (Not Connected).

1. FD RS-485 HD: Choosing between FD or HF. If this switch is ON, it enables the Half Duplex (HD) option and disables the FD. If this switch is OFF, it enables Full Duplex (FD) and disables HD.

| LEFT ZONE |     |     |
|-----------|-----|-----|
| SWITCH    | ON  | OFF |
| NC        | -   | -   |
| NC        | -   | -   |
| RTC SCL   | RTC | -   |
| RTC SDA   | RTC | -   |



1. RTC SDA: This switch enables the communication to communicate with the RTC using I2C. Having this switch in ON mode activates this communication, whereas if it is in OFF mode it disables the I2C to reach the RTC.

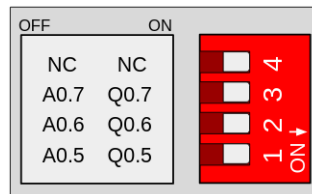
2. RTC SCL: This switch enables the communication to communicate with the RTC using I2C. Having this switch in ON mode activates this communication, whereas if it is in OFF mode it disables the I2C to reach the RTC.

3. NC: Not connected. This switch is not connected to anything, it doesn't matter if it is in ON mode or OFF mode.

4. NC: Not connected. This switch is not connected to anything, it doesn't matter if it is in ON mode or OFF mode.

## 8.2 B Zone Switches

| B ZONE |      |      |
|--------|------|------|
| SWITCH | ON   | OFF  |
| NC     | -    | -    |
| Q0.7   | Q0.7 | A0.7 |
| Q0.6   | Q0.6 | A0.6 |
| Q0.5   | Q0.5 | A0.5 |



For the Analog Shield if a switch is set to ON, it can only act as Digital Output. If it is set to OFF it can only act as an Analog Output.

If it is desired to use a Digital Output the pin must be set to ON and the pin that will provide this digital output is represented with QX.X, being X any number of the tables above.

If it is desired to use an Analog Output the pin must be set to OFF and the pin that will provide this analog output is represented with AX.X, being X any number of the tables above.

For the Relay Shield if a switch is set to ON, it can only act as Digital Output. If it is set to OFF it can only act as an Analog Output.

If it is desired to use a Digital Output the pin must be set to ON and the pin that will provide this digital output is represented with QX.X, being X any number of the tables above.

If it is desired to use an Analog Output the pin must be set to OFF and the pin that will provide this analog output is represented with AX.X, being X any number of the tables above.

## 9 M-Duino Arduino I/Os 5V pins

The M-Duino has some of the Mega board pins available. These pins can be programmed according to Arduino features such as I/Os operating at 5V or any additional features present in the pins (for example I2C communication in pins SCL and SDA). As this pins are directly connected to the Arduino Mega board they are not as well protect as the normal inputs. These pins are mainly meant to be used as prototyping.

The Arduino board available pins are summarized in the table below. In order to access some of these pins the configuration switch must be set to OFF position (see section 8) and some extra considerations must be taken in consideration when using these pins.

| M-Duino terminal | Arduino pin | Enable Arduino pin        |
|------------------|-------------|---------------------------|
| SCL              | 21          | Communication switch: OFF |
| SDA              | 20          | Communication switch OFF  |
| RX0              | 0           |                           |
| TX0              | 1           |                           |
| RX1              | 19          | Communication switch: OFF |
| TX1              | 18          | Communication switch: OFF |
| MISO             | 50          |                           |
| MOSI             | 51          |                           |
| SCK              | 52          |                           |
| Pin 3            | 3           | Communication switch: OFF |
| Pin 2            | 2           | Communication switch: OFF |

**\*IMPORTANT:** Do not connect the terminals in the chart above to voltages higher than 5V. These terminals provide direct access to the Mega board.

A part from the switch configuration there are some special conditions depending on these 5V. Now it is going to be shown the considerations to operate with these pins.

### 9.1 I2C pins – SDA/SCL

The I2C protocol is meant to work in a pull-up configuration. A pull-up configuration means that when the pin is at rest (nothing connected to it) it always reads a HIGH value. In this case it reads 5V when nothing is connected. The pull-up configuration is established by default in these pins.

If it is meant to work them as a GPIO at 5V, it has to be considered that they are pull-up inputs.

**\*IMPORTANT:** I2.5 & I2.6 are not pull-up inputs although they are referred to the I2C pins (switch configuration). There is a “reverse pull-up circuit “that is established in order to have the same behaviour as the other inputs.

### 9.2 Serial 0 – RX0/TX0

The Serial0 protocol can work also as a 5V pin. These pins should be used ultimately, only in case that all the 5V pins are already performing a function. This is because they are shared with the USB interface. If using these pins, the USB communication cannot be working at the same time. When the PLC is not installed, the USB communication is normally required for

debugging, uploading and intercommunicating with the Ethernet controller. If using both interfaces at the same time the Arduino board will get blocked.

These pins are not established with a pull-up or a pull-down configuration. The state of these pins is unknown. If these pins must be used, they require a pull-up or a pull-down configuration. The Arduino board allows the pins to be set in a pull-up configuration. If not it must be established an external pull-up or pull-down circuit in order to correctly work with these pins.

### 9.3 Serial 1 – RX1/TX1

These pins are only referred to the inputs I1.5/I1.6. If the switch configuration is in OFF position the pins RX1/TX1 will be available. If not using the Serial 1 interface these pins can work as digital, either input or output.

These pins are not established with a pull-up or a pull-down configuration. The state of these pins is unknown. If these pins must be used, they require a pull-up or a pull-down configuration. The Arduino board allows the pins to be set in a pull-up configuration. If not it must be established an external pull-up or pull-down circuit in order to correctly work with these pins.

### 9.4 SPI – MISO/MOSI/SCK

These pins can only work as a 5V pins if the Ethernet protocol is not going to be used. As the Ethernet protocol uses the SPI to communicate with the Arduino board, both behaviours cannot happen at the same time as the Ethernet would not work.

These pins are not established with a pull-up or a pull-down configuration. The state of these pins is unknown. If these pins must be used, they require a pull-up or a pull-down configuration. The Arduino board allows the pins to be set in a pull-up configuration. If not it must be established an external pull-up or pull-down circuit in order to correctly work with these pins.

### 9.5 Pin 2/Pin 3

These pins are only referred to the inputs I0.5/I0.6. If the switch configuration is in OFF position the pins Pin 2/Pin 3 will be available.

These pins are not established with a pull-up or a pull-down configuration. The state of these pins is unknown. If these pins must be used, they require a pull-up or a pull-down configuration. The Arduino board allows the pins to be set in a pull-up configuration. If not it must be established an external pull-up or pull-down circuit in order to correctly work with these pins.

## 10 A Zone Features: Communications & RTC & uSD

### 10.1 RS-232

The Arduino Mega function code to access the RS-232 port in the M-Duino is Serial2 (pins 16 and 17 of the Arduino Mega).

For the RS-232 communication protocol there isn't any switch that affects it. So it does not matter the configuration of the switches to implement a RS-232 communication.

Using the boards of Industrial Shields, there is a library that simplifies the RS-232 implementation.

### 10.2 RS-485

For RS485 communication protocol the defined Arduino Mega pins are shown in the chart below.

| Function | Arduino Pin |
|----------|-------------|
| DI       | 14          |
| RO       | 15          |
| RE       | 11          |
| DE       | 46          |

For the RS-485 communication protocol there is only one switch that affects this communication. The RS-485 protocol will be always enabled, the only switch that affects is the one called "FD rs-485 HD" (See Section 8). This switch makes the choice between RS-485 Half Duplex or RS-485 Full Duplex (RS-422).

Using the boards of Industrial Shields, there is a library that simplifies the RS-485 implementation.

### 10.3 I2C

I2C communication **DOES NOT REQUIRE** a pull-up resistor for the M-Duino 21 I/Os PLUS. The pull-up resistor is already implemented in the PCB.

I2C communication is configured by switches, so the switches must be configured in order to enable the I2C communication.

| Switch   | ON   | OFF |
|----------|------|-----|
| D ZONE   |      |     |
| SCL/I2.6 | I2.6 | SCL |
| SDA/I2.5 | I2.5 | SDA |

To enable I2C the switches SCL/I2.6 & SDA/I2.5 must be set to OFF mode. In this mode the inputs are totally disabled and the I2C is now enabled.

Industrial Shields does not provide any library to implement the I2C as it can be used with the standard library of Arduino called Wire.

## 10.4 SPI

The M-Duino pins used for the SPI bus are summarized in the table below. For SPI bus MISO, MOSI and CLOCK pins are common to all the connected devices to the M-Duino, conversely, each of the connected devices will have a single and dedicated SS pin.

| Function | M-Duino connection                        | Mega board pin            |
|----------|---|---------------------------|
| MISO     | 50 S0                                     | 50                        |
| MOSI     | 51 SI                                     | 51                        |
| CLOCK    | 52 SCK                                    | 52                        |
| Reset    | Reset                                     | Reset                     |
| SS       | SCL/SDA/RX0/TX0/RX1/TX1/RX3/TX3/Pin2/Pin3 | 21/20/1/0/19/18/15/14/2/3 |

Check the switch configuration at section 8 to enable SS pins.

## 10.5 TTL

M-Duino has two TTL ports, RX0/TX0, RX1/TX1. TTL0 is accessed with the function Serial (pins 0 and 1 of the Arduino Mega). TTL1 is accessed with the function Serial1 (pins 18 and 19 of the Arduino Mega).

In order to use the TTL pins the configuration of the switches have to be the following one:

| Switch   | Analog Shield |     |
|----------|---------------|-----|
|          | ON            | OFF |
| C ZONE   |               |     |
| RX1/I1.6 | I1.6          | RX1 |
| TX1/I1.5 | I1.5          | TX1 |

If the switches RX1/I1.6(I1.1) & TX1/I1.5(I1.0) are in OFF mode, the RX1/TX1 will be enabled. In order to use TTL3 these switches must be in OFF mode.

## 10.6 Ethernet

M-Duino Ethernet port controller is based on w5500 IC, which is the IC compatible with Arduino Ethernet2 Shield libraries. All Ethernet shield Arduino libraries are compatible with the M-Duino. In the M-Duino, W5500 IC communicates to the Mega board via SPI bus (SS Arduino Mega pin 10).

## 10.7 RTC

M-Duino RTC Module is based on the DS1307 Chip. This chip works with the I2C protocol communication, so it is required to have enabled the I2C protocol.

4 switches have to be configured in order to enable the RTC features:

| LEFT ZONE |     |     |
|-----------|-----|-----|
| SWITCH    | ON  | OFF |
| NC        | -   | -   |
| NC        | -   | -   |
| RTC SCL   | RTC | -   |
| RTC SDA   | RTC | -   |

RTC SCL & RTC SDA must be set to ON mode to enable the I2C wires to the RTC. If they are in OFF mode, the Arduino won't communicate with the RTC.

| Switch   | ON   | OFF |
|----------|------|-----|
| SCL/I2.6 | I2.6 | SCL |
| SDA/I2.5 | I2.5 | SDA |

I2C (SCL, SDA pins) must be enabled in order to communicate with the RTC. See section 11 I2C to enable it.

Using the boards of Industrial Shields, there is a library that simplifies the RTC implementation called RTC.

## 10.8 uSD

The micro SD uses the SPI communication to interact with the Arduino Mega. The SPI protocol is always enabled, as there are no switches that configure it. However, there is a switch that must be placed to ON mode in order to communicate with the uSD:

D53(SD): If this Switch is OFF, it enables the Chip Select of the microSD socket and disables Q2.0. If this switch is ON, it enables the Q2.0 output. If the switch is in ON mode the microSD can't be used.

The uSD socket is found in the TOP part of the communication Shields, so in the frontal part of the PLC, it is required to open the plastic found in the frontal part and the socket is located under the supply of the Arduino.

| LEFT ZONE |      |         |
|-----------|------|---------|
| Switch    | ON   | OFF     |
| uSD       |      |         |
| D53(SD)   | Q2.0 | D53(SD) |

Using the boards of Industrial Shields, there is a library that simplifies the uSD implementation called SD. It is the same as the Arduino library, with the only modification of using the pin 53 to select the Chip Select of the uSD chip.



**Verify that the CPU is not actively running a process before inserting the memory card.**

Inserting a memory card will cause the CPU to go to STOP mode, which could affect the operation of an online process or machine. Unexpected operation of a process or machine could result in death or injury to personnel and/or property damage. Before inserting a memory card, always ensure that the CPU is offline and in a safe state.



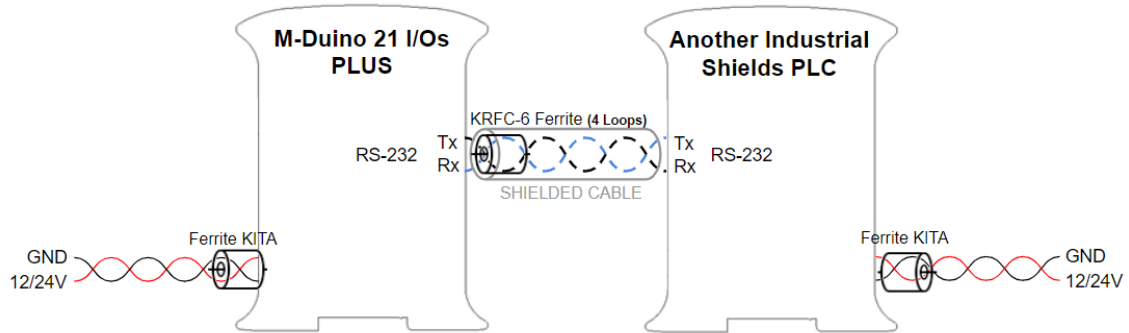
**Vérifiez que le processeur n'exécute pas activement un processus avant d'insérer la carte mémoire.**

Si vous insérez une carte mémoire, la CPU passe en mode STOP, ce qui peut affecter le fonctionnement d'un processus ou d'une machine en ligne. Le fonctionnement inattendu d'un processus ou d'une machine peut entraîner la mort ou des blessures corporelles et / ou des dégâts matériels. Avant d'insérer une carte mémoire, assurez-vous toujours que la CPU est hors ligne et en sécurité.



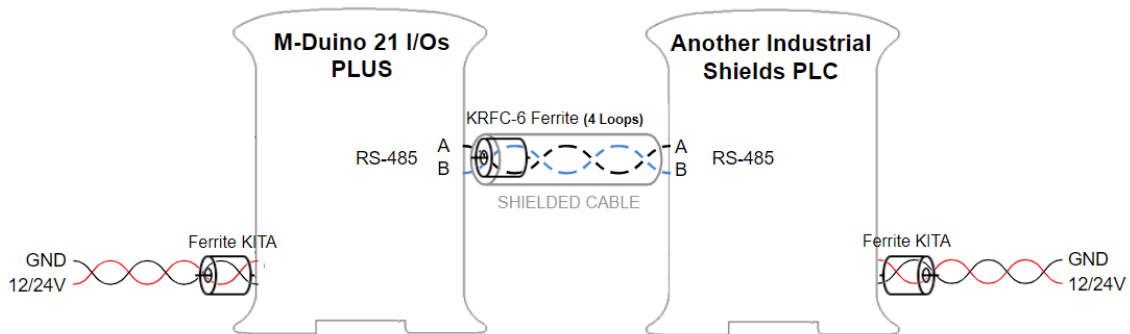
## 11 Instructions for interconnection between Industrial Shields controllers

### 11.1 RS-232 Communication:

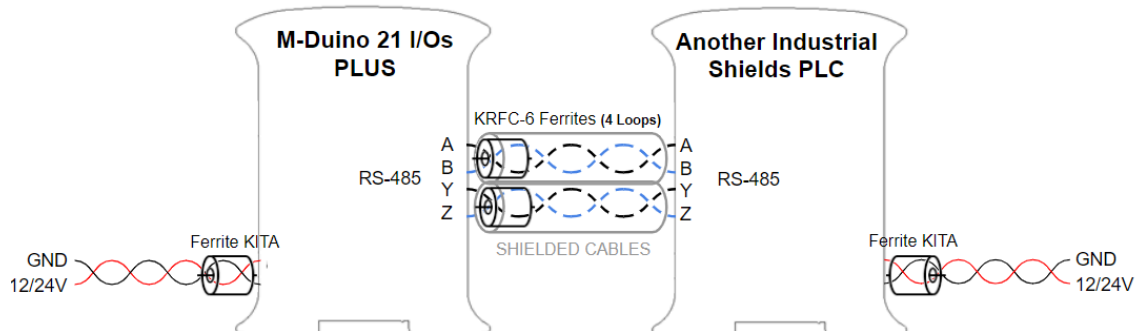


### 11.2 RS-485 Communication:

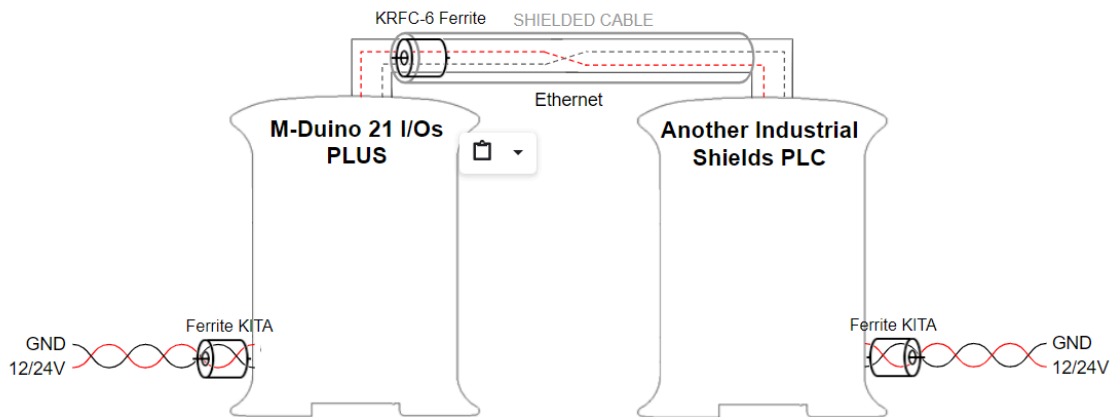
#### 11.2.1 Half Duplex



#### 11.2.2 Full Duplex



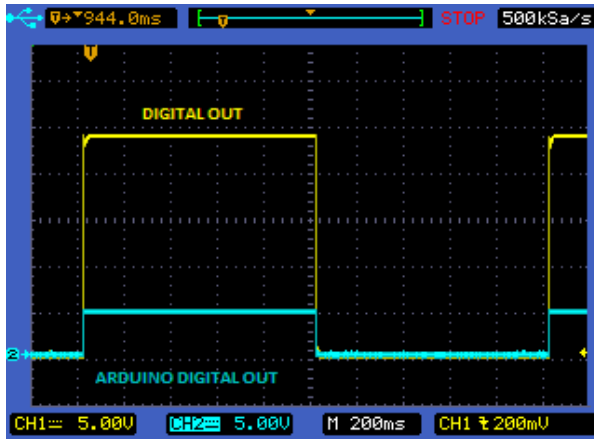
## 11.3 Ethernet



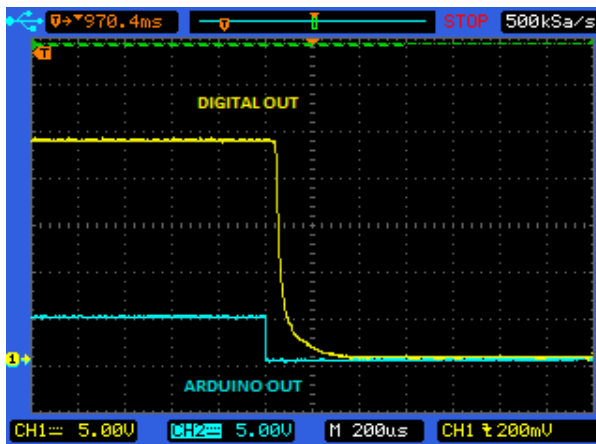
For Ethernet communication between Industrial Shields equipment a **SFTP CAT-6 Ethernet crossover cable** must be used.

## 12 I/O technical details

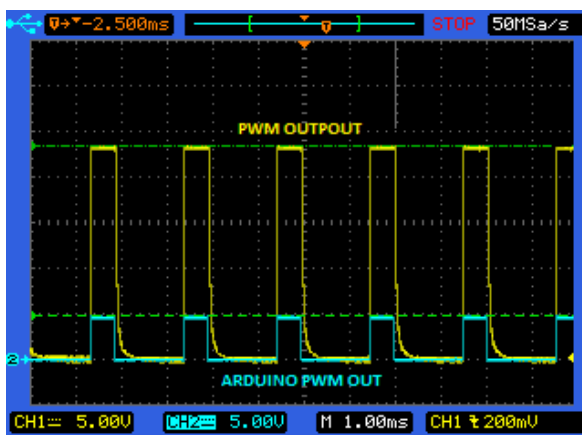
Digital Output Waveform:



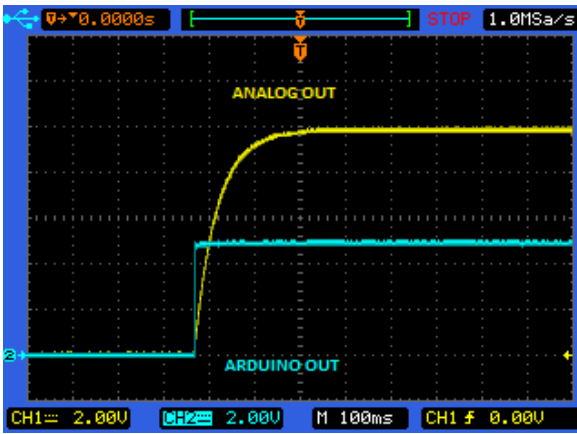
Digital Out-put Turn-off:



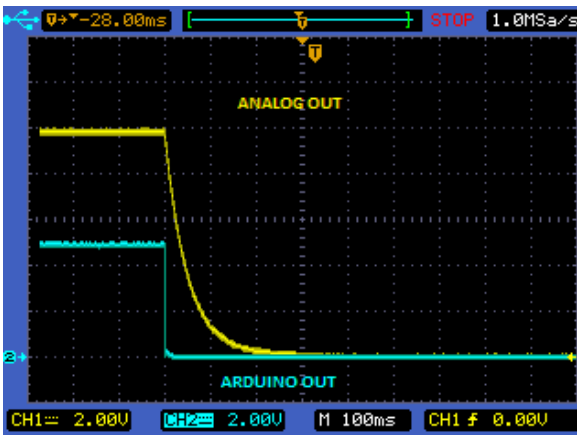
PWM Waveform:



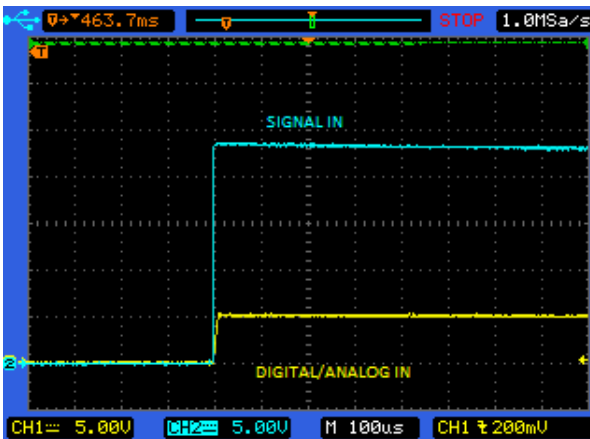
Analog Out Turn On:



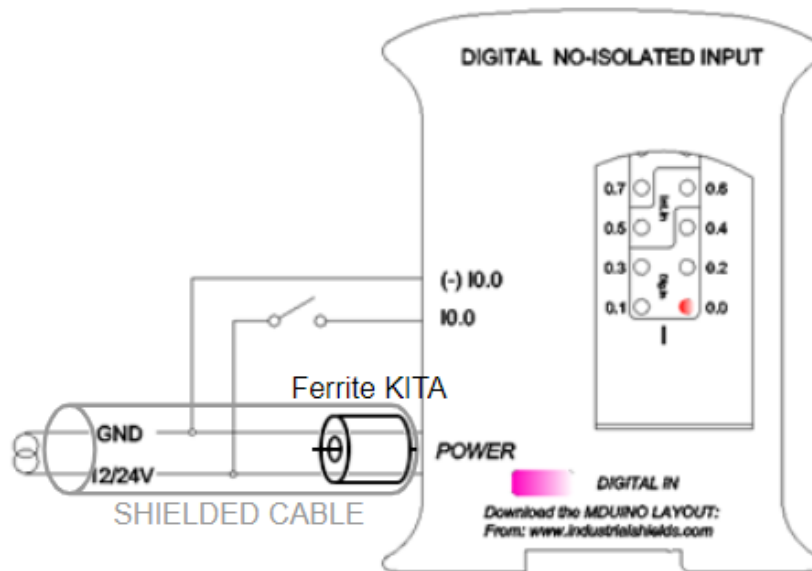
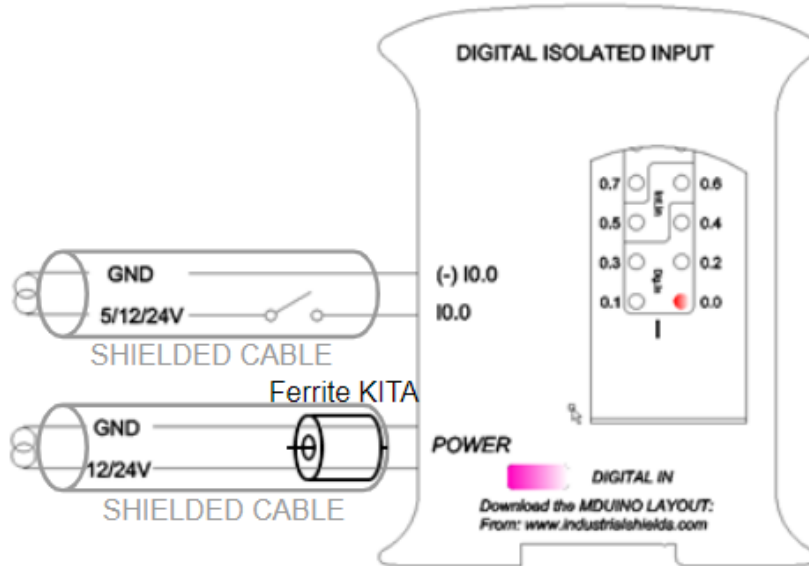
Analog Out Turn-Off:

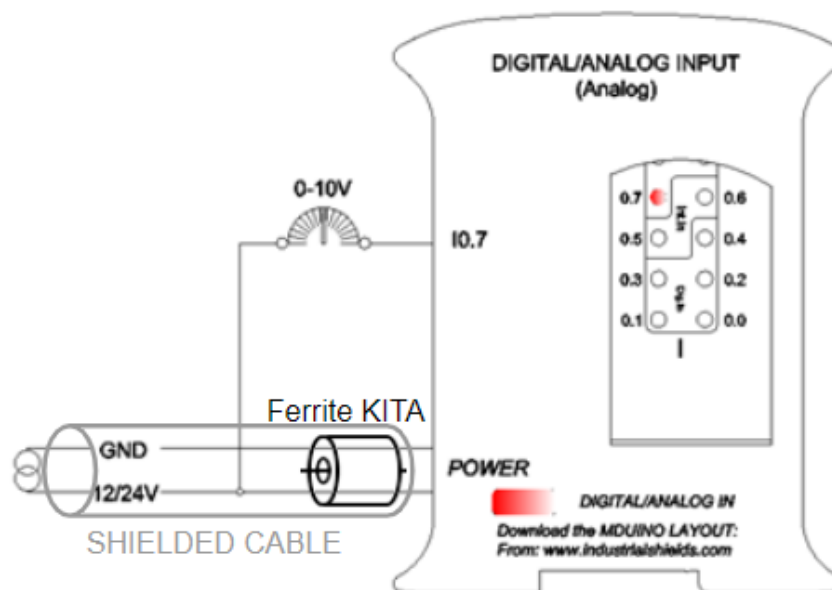
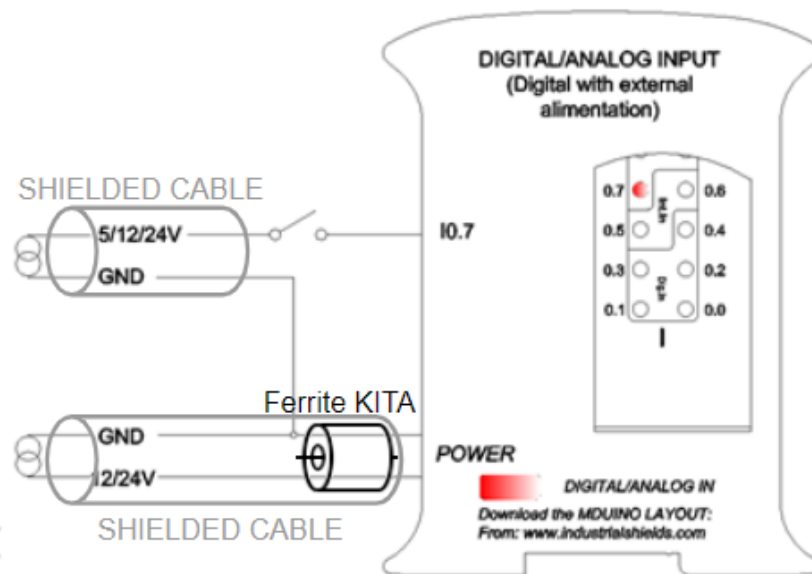


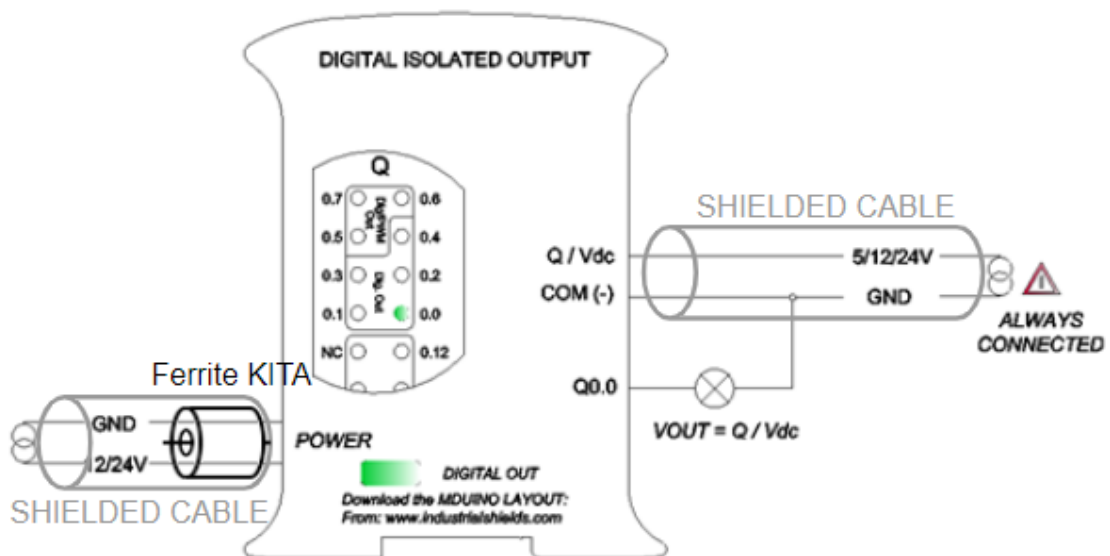
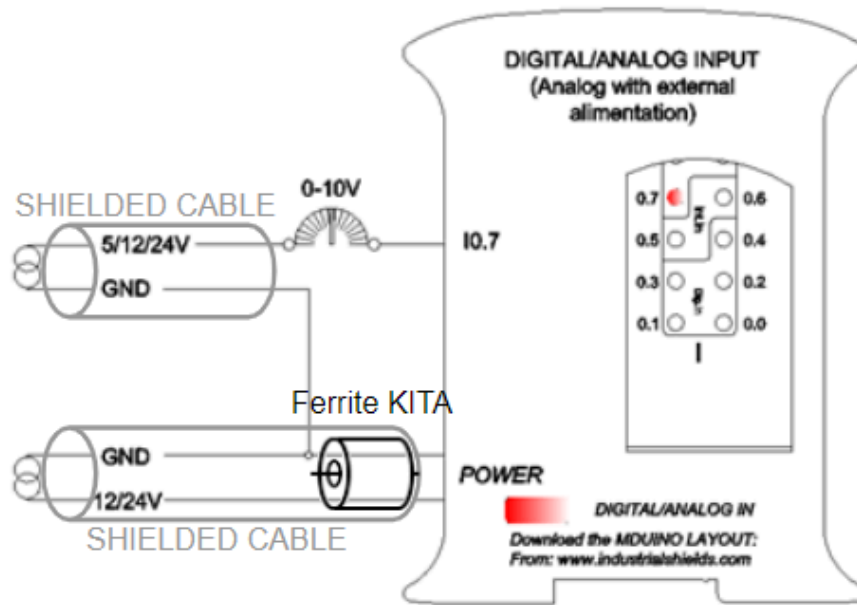
Analog /Digital input Turn-on:

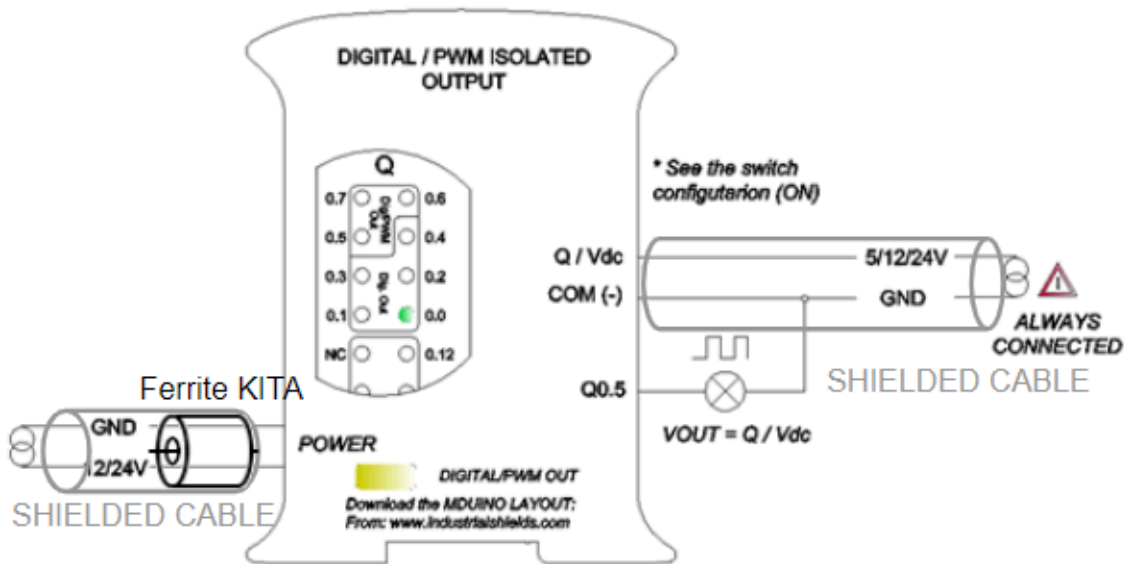
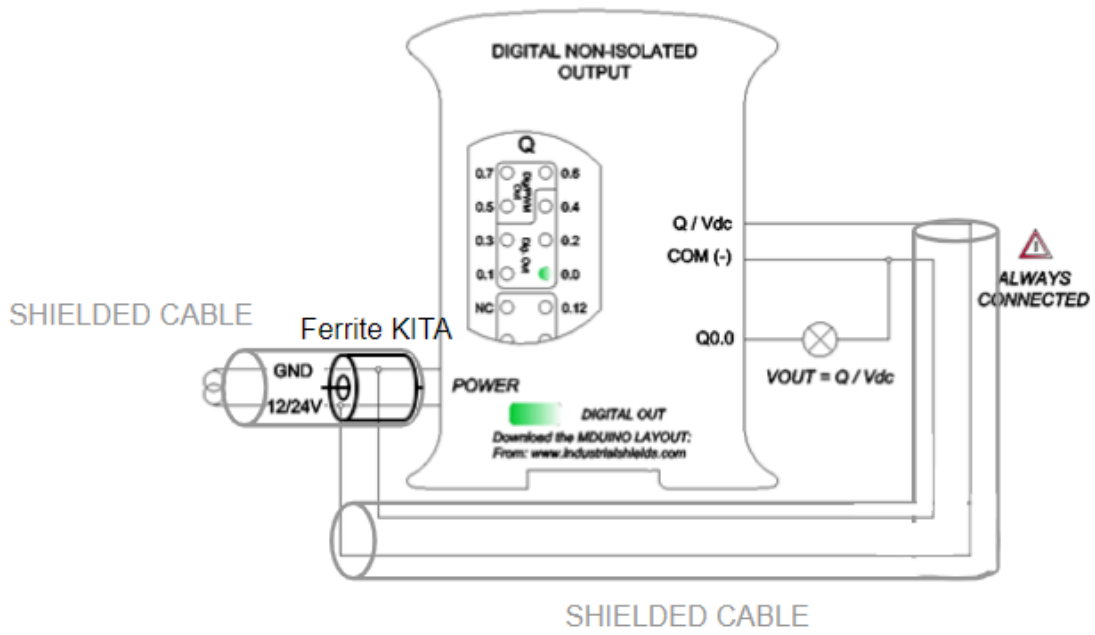


### 13 Typical Connections

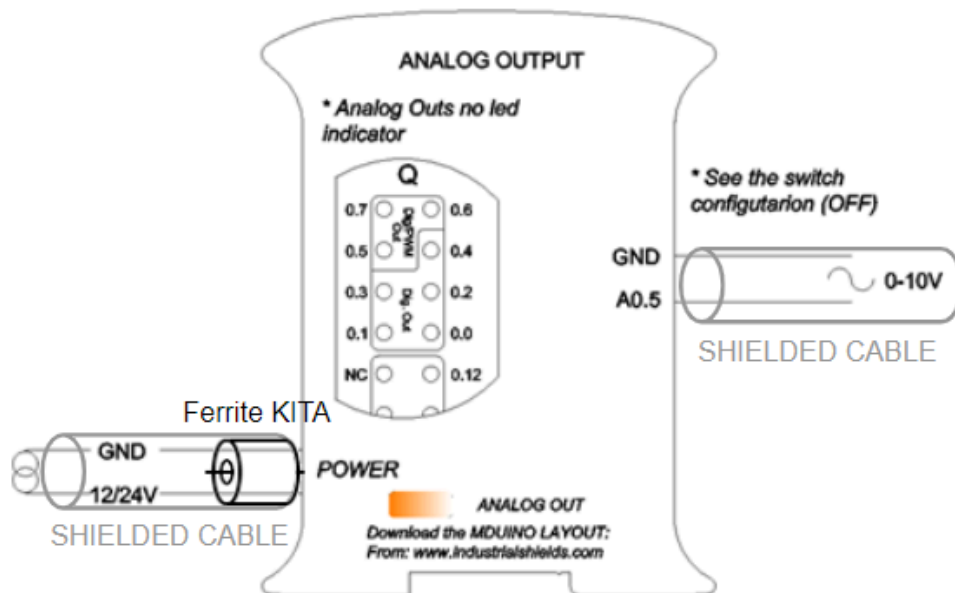
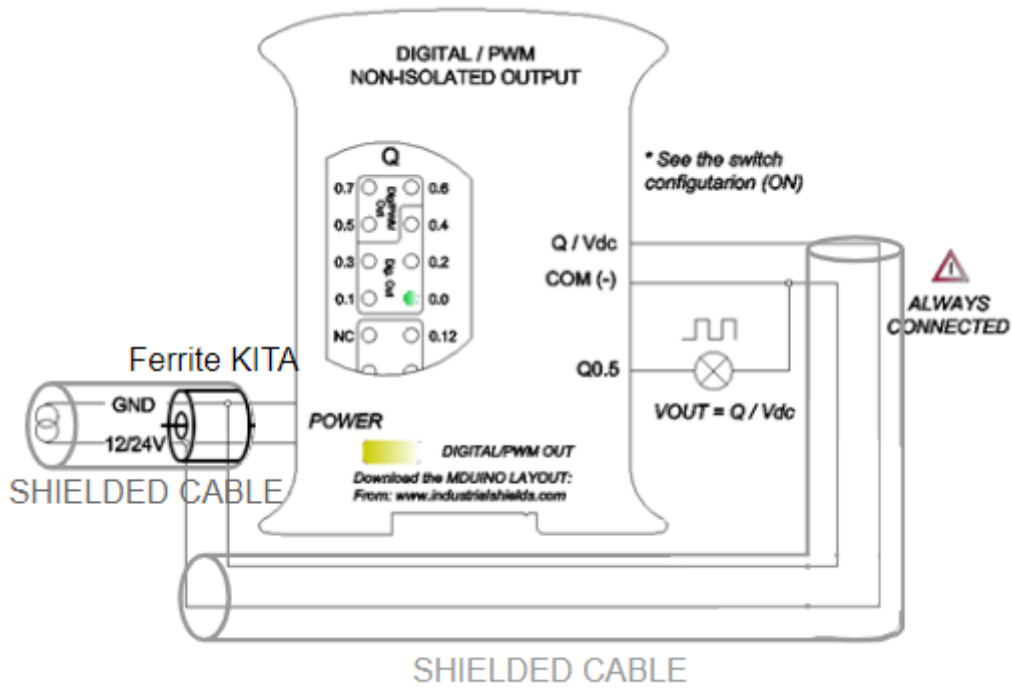












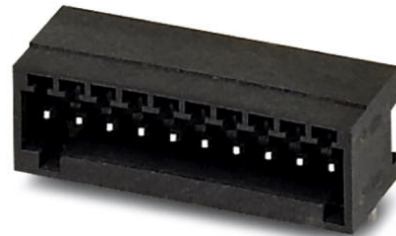
## 14 Connector details:

The connector inside the PLCs that mounts on the PCB is MC 0,5/10-G-2,5 THT – 1963502 from Phoenix contact. [MC0,5/10-G-2,5THT](#)

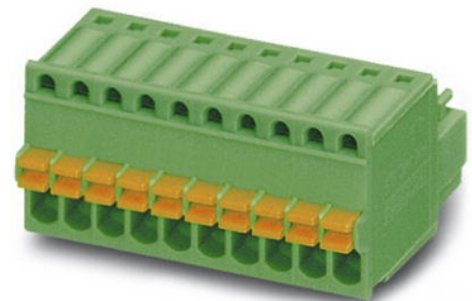
For I/O and power supply there is a FK-MC 0,5/10-ST-2,5 - 1881406 connector from Phoenix contact. [FK-MC 0,5/10-ST-2,5](#)

Connection details:

|                          |                        |
|--------------------------|------------------------|
| <b>Article reference</b> | MC 0,5/10-G-2,5<br>THT |
| <b>Height</b>            | 8,1mm                  |
| <b>Pitch</b>             | 2,5mm                  |
| <b>Dimension</b>         | 22,5mm                 |
| <b>Pin dimensions</b>    | 0,8x0,8mm              |
| <b>Pin spacing</b>       | 2,50mm                 |

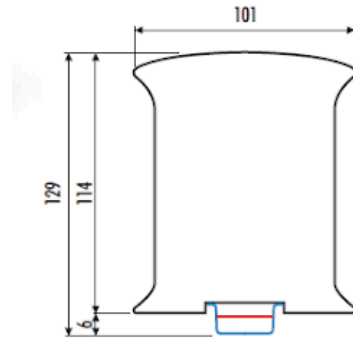


|                                       |                      |
|---------------------------------------|----------------------|
| <b>Article reference</b>              | FK-MC 0,5/10-ST-2,5  |
| <b>Rigid conduit section min.</b>     | 0,14 mm <sup>2</sup> |
| <b>Rigid conduit section max.</b>     | 0,5 mm <sup>2</sup>  |
| <b>Flexible conduit section min.</b>  | 0,14 mm <sup>2</sup> |
| <b>Flexible conduit section max.</b>  | 0,5 mm <sup>2</sup>  |
| <b>Conduit section AWG/kcmil min.</b> | 26                   |
| <b>Conduit section AWG/kcmil max.</b> | 20                   |

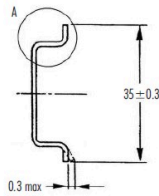
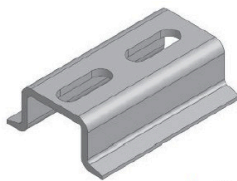


## 15 Mechanical Characteristics

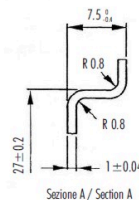
- **Dimension M-Duino 21 I/Os PLUS:**



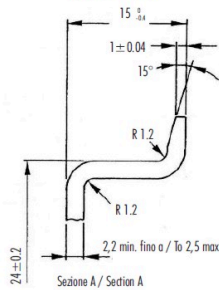
- **DIN Rail mounting**



Profilato a cappello TH 35-7,5  
Top hat rail TH 35-7,5



Profilato a cappello TH 35-15  
Top hat rail TH 35-15



| CARATTERISTICHE                  | METODO                                 | UNITA' DI MISURA | BLENDE PC/ABS          |
|----------------------------------|--|------------------|------------------------|
| <b>Meccaniche</b>                | Resistenza a trazione allo snervamento | ASTM D638        | MPa 48                 |
|                                  | Resistenza a trazione a rottura        | ASTM D638        | MPa 48                 |
|                                  | Allungamento a rottura                 | ASTM D638        | % 59                   |
|                                  | Modulo in flessione                    | ASTM D790        | MPa 2894               |
|                                  | Prova Load con intaglio                | ISO 180/14       | KJ/m <sup>2</sup> 5.5  |
| <b>Termiche</b>                  | Temp. di rammolimento Vicat, metodo B  | ASTM D1525       | °C 114                 |
|                                  | Temperatura Ricetta 1.81 MPa           | ASTM D648        | °C 97                  |
| <b>Fisiche</b>                   | Peso specifico                         | ASTM D792        | g/cm <sup>3</sup> 1.21 |
|                                  | Ritiro nello stampo                    | ASTM D955        | % 0.4/0.6              |
|                                  | Melt Flow Index 260°C - 9.8N           | ASTM D1238       | g/10' 11.1             |
| <b>Comportamento alla fiamma</b> | Autostagnanza (mm di spessore)         | UL94             | - V-0 (0.8)            |
|                                  | Filo Incarescitico 3.2 mm              | IEC695.2.1       | °C 960                 |

Italtronic si riserva il diritto di modificare il materiale con cui realizza i propri prodotti senza obbligo di preavviso.

| FEATURES               | TEST METHOD                           | UNITS      | BLENDE PC/ABS          |
|------------------------|---------------------------------------|------------|------------------------|
| <b>Mechanical test</b> | Resistance to tensile stress at yield | ASTM D638  | MPa 48                 |
|                        | Tensile strength                      | ASTM D638  | MPa 48                 |
|                        | Ultimate elongation                   | ASTM D638  | % 59                   |
|                        | Flexing modulus                       | ASTM D790  | MPa 2894               |
|                        | Load, test notch                      | ISO 180/14 | KJ/m <sup>2</sup> 5.5  |
| <b>Thermal test</b>    | Vicat softening temperature, method B | ASTM D1525 | °C 114                 |
|                        | Reheating temperature 1.81 MPa        | ASTM D648  | °C 97                  |
| <b>Physical test</b>   | Specific gravity                      | ASTM D792  | g/cm <sup>3</sup> 1.21 |
|                        | Mold shrinkage                        | ASTM D955  | % 0.4/0.6              |
|                        | Melt Flow Index 260°C - 9.8N          | ASTM D1238 | g/10' 11.1             |
| <b>Flame test</b>      | Self extinguisher (thickness in mm)   | UL94       | - V-0 (0.8)            |
|                        | Incarescent thread 3.2 mm             | IEC695.2.1 | °C 960                 |

Italtronic can operate any change of the materials without being obliged to forewarn.

**For optimal operation of the product, it must be located in an electrical cabinet with IK08 mechanical protection. The minimum IP protection degree required is IP56.**

## 16 Installation and Maintenance

### Notes for installation:

- The installation position should be free from the following: dust or oil smoke, conductive dust, corrosive or flammable gas, high temperature, condensation, and rain.
- Besides, vibration and impact also affect the PLC normal operation and shorten its lifespan; electric shock, fire or misact also damages the product. During drilling or wiring, prevent the metal particles or wire segments from falling into the PLC casing, which may cause fire, fault or misact.
- After the PLC installation, clean the ventilation duct to prevent blocking, which may cause bad ventilation, or even fire, faults or misact.
- Do not online connect, plug or unplug cables, which are apt to cause electric shock or damage the circuit. Installation and wire connection must be firm and reliable. Poor connection could cause a misact.
- Use shielded twisted pairs for the I/O of high frequency signal and analog signal to improve system IMS.

The installation environment should be free from dust, oil smoke, conductive particles, corrosive or flammable gases, high temperature, condensation, and rain.

Besides, vibration and impact also affect the PLC normal operation and shorten its lifespan. It is recommended to install the PLC, together with the matching switches and contactors, in a dedicated electric cabinet and keep the cabinet ventilated. If the location has high ambient temperature or heat generating equipment nearby, install forced convection devices on top or sides of the cabinet to avoid over-temperature. During drilling or wiring, prevent the metal particles or wire segments from falling into the PLC casing, which may cause fire, fault or misact. After the PLC installation, clean the ventilation duct to prevent blocking, which may cause bad ventilation, or even fire, faults or misact.

The only way to disconnect the equipment from the electrical network is by removing the connectors that feed the equipment. Once installed in the electrical cabinet it is very important to ensure the power connectors for proper operation.

### Separate the M-Duino 21 I/Os PLUS from heat, high voltage and electrical noise:

Always separate the devices that generate high voltage and high electrical noise from the M-Duino 21 I/Os PLUS. When configuring the layout of the M-Duino 21 I/Os PLUS inside your panel, consider the heat-generating devices and locate the electronic-type devices in the cooler areas of your cabinet. Reducing the exposure to a high-temperature environment will extend the operating life of any electronic device. Consider also the routing of the wiring for the devices in the electric cabinet. Avoid placing low-voltage signal wires and communications cables in the same tray with AC power wiring and high energy, rapidly-switched DC wiring.

Provide adequate clearance for cooling and wiring M-Duino 21 I/Os PLUS. It is designed for natural convection cooling. For proper cooling, you must provide a clearance of at least 25 cm above and below the devices. Also, allow at least 25 cm of depth between the front of the modules and the inside of the enclosure.

#### Notes for maintenance:

A well-planned and executed maintenance program is essential to the satisfactory operation of solid-state electrical equipment. The kind and frequency of the maintenance operation will vary with the kind and complexity of the equipment as well as with the nature of the operating conditions. Maintenance recommendations of the manufacturer or appropriate product standards should be followed.

The following factors should be considered when formulating a maintenance program:

- Maintenance must be performed by qualified personnel familiar with the construction, operation, and hazards involved with the control.
- Maintenance should be performed with the control out of operation and disconnected from all sources of power.
- Care should be taken when servicing electrostatic sensitive components. The manufacturer's recommendations for these components should be followed.
- Ventilation passages should be kept open. If the equipment depends upon auxiliary cooling, e.g., air, water, or oil, periodic inspection (with filter replacement when necessary) should be made of these systems.
- The means employed for grounding or insulating the equipment from ground should be checked to assure its integrity.
- Accumulations of dust and dirt on all parts, including on semiconductor heat sinks, should be removed according to the manufacturer's instructions, if provided; otherwise, the manufacturer should be consulted. Care must be taken to avoid damaging any delicate components and to avoid displacing dust, dirt, or debris in a way that permits it to enter or settle into parts of the control equipment.
- Enclosures should be inspected for evidence of deterioration. Accumulated dust and dirt should be removed from the top of the enclosures before opening doors or removing covers.
- Certain hazardous materials removed as part of maintenance or repair procedure (e.g., polychlorinated biphenyls (PCBs) found in some liquid-filled capacitors) must be disposed of as described in Federal regulations.

#### Safety rules for maintenance personnel

Consider the following steps to follow. A false manoeuvre could be the cause of an accident or material damage.

Do not disassemble or modify the modules. This could lead to breakdowns or malfunctions and could lead to injuries or fire.

- All types of radio communication devices, including mobile phones and personal handy-phone systems (PHS), must be kept more than **25cm** away from the PLC in all directions. Failure to observe this precaution exposes malfunctions caused by excess temperature.
- Disconnect the external power supply of the system (on all phases) before connecting or disconnecting a module. Failure to observe this precaution may cause faults or malfunctions of the module.

- Tighten the screws of the terminal ports and the screws of the connectors within the prescribed tightening torque. Insufficient tightening can lead to loose parts or wires and cause malfunctions. Excessive tightening can damage the screws and / or the module, with the risk of falling, short circuits and malfunctions.
- Before handling a module, dispose of the electrostatic charge accumulated by the human body by touching a suitable conductive object. Failure to observe this precaution may cause faults or malfunctions of the module.

Repair note:

If the equipment is suitable to be repaired, it must be verified that the equipment remains in a safe state after repair.

## 17 Revision Table

| Revision Number | Date       | Changes                                     |
|-----------------|------------|---|
| 0               | 30/08/2019 | First implementation                        |
| 1               | 21/02/2019 | ETL Listing Mark-Direct added               |
| 2               | 12/01/2022 | Updated CE Normative (2004/108/EC)          |
| 3               | 12/12/2024 | Added section 3.4 ("Isolation Precautions") |
|                 |            |   |
|                 |            |   |
|                 |            |   |

About Industrial Shields:

Direction: Fàbrica del Pont, 1-11

Zip/Postal Code: 08272

City: Sant Fruitós de Bages (Barcelona)

Country: Spain

Telephone: (+34) 938 760 191 / (+34) 635 693 611

Mail: [industrialshields@industrialshields.com](mailto:industrialshields@industrialshields.com)





INDUSTRIAL SHIELDS

## M-DUINO PLC ARDUINO FAMILY

M-DUINO PLC ARDUINO  
FAMILY



# PLC M-Duino Family User Guide

**Revised December 2024**

## Preface

This User Guide has been implemented by Boot & Work, S.L. working under the name Industrial Shields.

### Purpose of the manual

The information contained in this manual can be used as a reference to operating, to functions, and to the technical data of the signal modules, power supply modules and interface modules.

### Intended Audience

This User Guide is intended for the following audience:

- Persons in charge of introducing automation devices.
- Persons who design automation systems.
- Persons who install or connect automation devices.
- Persons who manage working automation installation.



### Warnings:

- Unused pins should not be connected. Ignoring the directive may damage the controller.
- Improper use of this product may severely damage the controller.
- Refer to the controller's User Guide regarding wiring considerations.
- Before using this product, it is the responsibility of the user to read the product's User Guide and all accompanying documentation.
- Maintenance must be performed by qualified personnel familiarised with the construction, operation, and hazards involved with the control.
- Maintenance should be performed with the control out of operation and disconnected from all sources of power.
- Care should be taken when servicing electrostatic sensitive components. The manufacturer's recommendations for these components should be followed.

- The M-Duino Family PLCs are Open Type Controllers. It is required that you install the M-Duino PLC in a housing, cabinet, or electric control room. Entry to the housing, cabinet, or electric control room should be limited to authorised personnel. Failure to follow these installation requirements could result in severe personal injury and/or property damage. Always follow these requirements when installing M-Duino family PLCs.
- In case of installation or maintenance of the M-Duino please follow the instructions marked in the Installation and Maintenance section.
- Do not disconnect equipment when a flammable or combustible atmosphere is present. Disconnection of equipment when a flammable or combustible atmosphere is present may cause a fire or explosion which could result in death, serious injury and/or property damage.



### Avertissements:

- Les broches non utilisées ne doivent pas être connectées. Ignorer la directive peut endommager le contrôleur.
- Une utilisation incorrecte de ce produit peut endommager gravement le contrôleur.
- Reportez-vous au Guide de l'utilisateur du contrôleur pour les considérations de câblage.
- Avant d'utiliser ce produit, il incombe à l'utilisateur de lire le Guide de l'utilisateur du produit et la documentation qui l'accompagne.
- La maintenance doit être effectuée par personnel qualifié familiarisé avec la fabrication, le fonctionnement et les dangers liés au contrôleur.
- La maintenance doit être effectuée avec l'équipement hors service et déconnectée de toutes les sources d'alimentation.
- Faites attention lors de l'entretien des composants sensibles à l'électricité statique. Les recommandations du fabricant pour ces composants doivent être suivies.
- Les automates de la famille M-Duino sont des contrôleurs de type ouvert. Il est nécessaire d'installer l'automate M-Duino dans un boîtier, une armoire ou une salle de contrôle électrique. L'accès au boîtier, à l'armoire ou à la salle de commande électrique doit être limité au personnel autorisé. Le non-respect de ces exigences d'installation peut entraîner des blessures graves et/ou des dommages matériels importants. Respectez toujours ces exigences lors de l'installation des automates de la famille M-Duino.
- En cas d'installation ou de maintenance du M-Duino, veuillez suivre les instructions indiquées dans la section Installation et Maintenance.
- Ne débranchez pas l'équipement en présence d'une atmosphère inflammable ou combustible. La déconnexion de l'équipement en présence d'une atmosphère inflammable ou combustible peut provoquer un incendie ou une explosion pouvant entraîner la mort, des blessures graves et/ou des dommages matériels.

## Application Considerations and Warranty

### Read and understand this manual

Please read and understand this manual before using the product. Please consult your comments or questions to Industrial Shields before using the product.

### Application Consideration

THE PRODUCTS CONTAINED IN THIS DOCUMENT ARE NOT SAFETY RATED. THEY SHOULD NOT BE RELIED UPON AS A SAFETY COMPONENT OR PROTECTIVE DEVICE FOR ENSURING SAFETY OF PERSONS, AS THEY ARE NOT RATED OR DESIGNED FOR SUCH PURPOSES.

Please know and observe all prohibitions of use applicable to the products.

FOR AN APPLICATION INVOLVING SERIOUS RISK TO LIFE OR PROPERTY WITHOUT ENSURING THAT THE SYSTEM AS A WHOLE HAS BEEN DESIGNED TO ADDRESS THE RISKS, NEVER USE THE INDUSTRIAL SHIELDS PRODUCTS.

NEVER USE THE INDUSTRIAL SHIELDS PRODUCTS BEFORE THEY ARE PROPERLY RATED AND INSTALLED FOR THE INTENDED USE WITHIN THE OVERALL EQUIPMENT OR SYSTEM.

Industrial Shields shall not be responsible for conformity with any codes, regulations or standards that apply to the combination of products in the customer's application or use of the product.

The following are some examples of applications for which particular attention must be given. This is not intended to be an exhaustive list of all possible uses of the products, nor is it intended to imply that the uses may be suitable for the products:

- Systems, machines, and equipment that could present a risk to life or property.
- Nuclear energy control systems, combustion systems, railroad systems, aviation systems, medical equipment, amusement machines, vehicles, safety equipment, and installation subject to separate industry or government regulations.
- Outdoor use, uses involving potential chemical contamination or electrical interference, or conditions or uses not described in this document.

At the customer's request, INDUSTRIAL SHIELDS will provide applicable third party certification documents identifying ratings and limitations of use that apply to the products. This information by itself is not sufficient for a complete determination of the suitability of the products in combination with the system, machine, end product, or other application or use.

## Intended use of Industrial Shields products

### Consider the following:

Industrial Shields products should only be used for the cases of application foreseen in the catalogue and the associated technical documentation. If third-party products and components are used, they must have been recommended or approved by Industrial Shields.

The correct and safe operation of the products requires that your transport, storage, installation, assembly, operation and maintenance have been carried out in a correct manner. It must respect the permissible ambient conditions. You should also follow the indications and warnings that appear in the associated documentation.

The product / system dealt with in this documentation should only be handled or manipulated by qualified personnel for the task entrusted and observing what is indicated in the documentation corresponding to it, particularly the safety instructions and warnings included in it. Due to their training and experience, qualified personnel are in a position to recognize risks resulting from the handling or manipulation of such products / systems and to avoid possible hazards.

## Disclaimers

### Weights and Dimensions

Dimensions and weights are nominal and they are not used for manufacturing purposes, even when tolerances are shown.

### Performance Data

The performance data given in this manual is provided as a guide for the user in determining suitability and does not constitute a warranty. It may represent the result of INDUSTRIAL SHIELDS's test conditions, and the users must correlate it to actual application requirements. Actual performance is subject to the INDUSTRIAL SHIELDS Warranty and Limitations of Liability.

### Errors and Omissions

The information in this document has been carefully checked and is believed to be accurate; however, no responsibility is assumed for clerical, typographical, or proofreading errors, or omissions.

### Residual risks

The control and drive components of an Industrial Shields PLC are approved for industrial and commercial use in industrial line supplies. Their use in public line supplies requires a different configuration and/or additional measures. These components may only be operated in closed housings or in higher-level control cabinets with protective covers that are closed, and when all of the protective devices are used. These components may only be handled by qualified and

trained technical personnel who are knowledgeable and observe all of the safety information and instructions on the components and in the associated technical user documentation. When carrying out a risk assessment of a machine in accordance with the EU Machinery Directive, the machine manufacturer must consider the following residual risks associated with the control and drive components of a PDS.

1. Unintentional movements of driven machine components during commissioning, operation, maintenance, and repairs caused by, for example: – Hardware defects and/or software errors in the sensors, controllers, actuators, and connection technology – Response times of the controller and drive – Operating and/or ambient conditions not within the scope of the specification – Condensation / conductive contamination – Parameterization, programming, cabling, and installation errors – Use of radio devices / cellular phones in the immediate vicinity of the controller – External influences / damage.
2. Exceptional temperatures as well as emissions of noise, particles, or gas caused by, for example: – Component malfunctions – Software errors – Operating and/or ambient conditions not within the scope of the specification – External influences / damage.
3. Hazardous shock voltages caused by, for example: – Component malfunctions – Influence of electrostatic charging – Induction of voltages in moving motors – Operating and/or ambient conditions not within the scope of the specification – Condensation / conductive contamination – External influences / damage
4. Electrical, magnetic and electromagnetic fields generated in operation that can pose a risk to people with a pacemaker, implants or metal replacement joints, etc. if they are too close.
5. Release of environmental pollutants or emissions as a result of improper operation of the system and/or failure to dispose of components safely and correctly.

## Warranty and Limitations of Liability

### Warranty

Industrial Shields's exclusive warranty is that the products are free from defects in materials and workmanship for a period of one year (or other period if specified) from date of sale by Industrial Shields.

INDUSTRIAL SHIELDS MAKES NO REPRESENTATION OR WARRANTY, EXPRESSED OR IMPLIED, REGARDING MERCHANTABILITY, NON-INFRINGEMENT, OR FITNESS FOR PARTICULAR PURPOSE OF THE PRODUCTS. ANY BUYER OR USER ACKNOWLEDGES THAT THE BUYER OR USER ALONE HAS DETERMINED THAT THE PRODUCTS WILL SUITABLY MEET THE REQUIREMENTS OF THEIR INTENDED USE. INDUSTRIAL SHIELDS DISCLAIMS ALL OTHER WARRANTIES, EXPRESS OR IMPLIED

## Limitations of Liability

INDUSTRIAL SHIELDS SHALL NOT BE RESPONSIBLE FOR SPECIAL, INDIRECT, OR CONSEQUENTIAL DAMAGES, LOSS OF PROFITS OR COMERCIAL LOSS IN ANY WAY CONNECTED WITH THE PRODUCTS, WHETHER SUCH CLAIM IS BASED ON CONTRACT, WARRANTY, NEGLIGENCE, OR STRICT LIABILITY.

IN NO EVENT SHALL INDUSTRIAL SHIELDS BE RESPONSIBLE FOR WARRANTY, REPAIR OR OTHER CLAIMS REGARDING THE PRODUCTS UNLESS INDUSTRIAL SHIELDS'S ANALYSIS CONFIRMS THAT THE PRODUCTS WERE PROPERLY HANDLED, STORED, INSTALLED, AND MAINTAINED AND NOT SUBJECT TO CONTAMINATION, ABUSE, MISUSE, OR INAPPROPRIATE MODIFICATION OR REPAIR.

## ETL Listing Mark-Direct Imprint information

### Recognized Component ETL Classified



#### Conforms to:

UL Std. 61010-1  
UL Std. 61010-2-201  
Cert. To CSA Std. C22.2 No. 61010-1  
Cert. To CSA Std. C22.2 No.61010-2-201

#### Place for control

number:  
5016476



# Table of Contents

|   |           |
|---|-----------|
| <b>1 General Description M-DUINO product</b>                  | <b>10</b> |
| 1.1 Zone - Nomenclature                                       | 10        |
| 1.2 Reference table   | 11        |
| 1.3 Zones Table   | 12        |
| 1.4 A Zone Features   | 13        |
| 1.5 Mechanical dimensions and weights                         | 13        |
| 1.6 General Features  | 14        |
| 1.7 Power consumption of the M-Duino Family PLCs              | 16        |
| <b>2 Technical Specifications:</b>                            | <b>17</b> |
| 2.1 General Specifications:                                   | 17        |
| 2.2 Performance Specification:                                | 17        |
| 2.3 Symbology   | 18        |
| <b>3 Precautions</b>  | <b>19</b> |
| 3.1 Arduino Board   | 19        |
| 3.2 Intended Audience   | 19        |
| 3.3 General Precautions                                       | 19        |
| 3.4 Isolation Precautions                                     | 19        |
| <b>4 M-Duino Pinout</b>                                       | <b>20</b> |
| <b>5 Serigraphy</b>   | <b>21</b> |
| 5.1 A Zone connection (Communications)                        | 21        |
| 5.2 Analog/Digital Zone connection (I/Os)                     | 23        |
| 5.3 Relay Zone connection (I/Os)                              | 24        |
| 5.4 Interrupt equivalence table                               | 25        |
| <b>6 Software interface</b>                                   | <b>26</b> |
| <b>7 How to connect PLC Arduino to PC</b>                     | <b>29</b> |
| <b>8 How to connect PLC to power supply</b>                   | <b>30</b> |
| <b>9 Switch configuration</b>                                 | <b>31</b> |
| 9.1 A Zone: Communications                                    | 31        |
| 9.2 Digital/Analogic Shield Switches                          | 33        |
| 9.3 Relay Shield Switches                                     | 34        |
| <b>10 M-Duino Arduino I/Os 5V pins</b>                        | <b>35</b> |
| 10.1 I2C pins – SDA/SCL                                       | 35        |
| 10.2 Serial 0 – RX0/TX0                                       | 36        |
| 10.3 Serial 1 – RX1/TX1                                       | 36        |
| 10.4 SPI – MISO/MOSI/SCK                                      | 36        |
| 10.5 Pin 2/Pin 3  | 36        |
| <b>11 A Zone Features: Communications &amp; RTC &amp; uSD</b> | <b>37</b> |

|   |           |
|---|-----------|
| 11.1 RS-232   | 37        |
| 11.2 RS-485   | 37        |
| 11.3 I2C  | 38        |
| 11.4 SPI  | 38        |
| 11.5 TTL  | 38        |
| 11.6 Ethernet   | 38        |
| 11.7 RTC  | 39        |
| 11.8 uSD  | 39        |
| <b>12 Instructions for interconnection between Industrial Shields controllers</b> | <b>41</b> |
| 12.1 RS-232 Communication:  | 41        |
| 12.2 RS-485 Communication:  | 41        |
| 12.2.1 Half Duplex  | 41        |
| 12.2.2 Full Duplex  | 41        |
| 12.3 Ethernet   | 42        |
| <b>13 Digital inputs threshold detection</b>                                      | <b>42</b> |
| <b>14 I/O technical details:</b>  | <b>43</b> |
| <b>15 Typical Connections</b>   | <b>45</b> |
| <b>16 Connector details</b>   | <b>50</b> |
| <b>17 DIN Rail mounting</b>   | <b>53</b> |
| <b>18 Installation and Maintenance</b>  | <b>54</b> |
| <b>19 Revision Table</b>  | <b>57</b> |



INDUSTRIAL SHIELDS

## 1 General Description M-DUINO product

### 1.1 Zone - Nomenclature

The nomenclature shown in this point will be used in the whole User Guide, so it is important to understand this nomenclature.

The nomenclature to differentiate the zones is based on the Alphabet, being A the shield from below and D the shield from above. Having a B and a C in the middle of them.

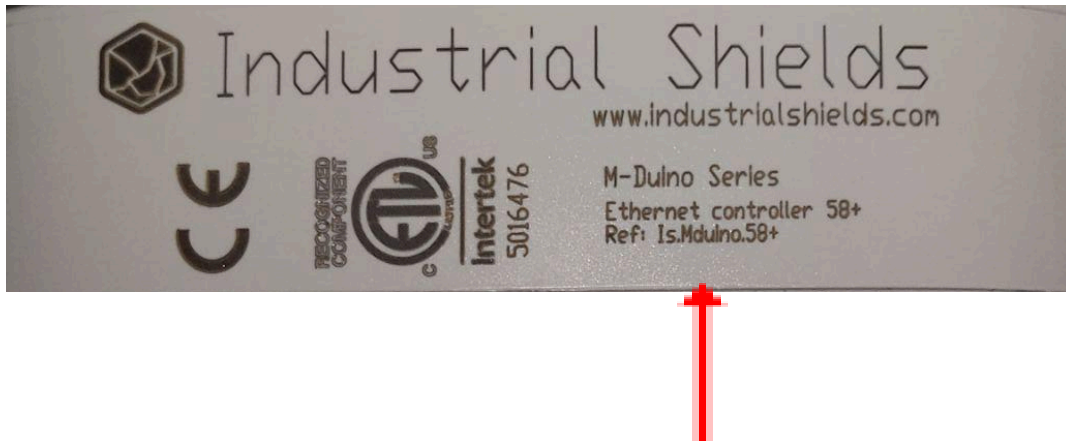


- The inputs in the zone B are named I0.X, being X any number suitable in the Shield. Outputs are named as Q0.X and relays as R0.X
- The inputs in the zone C are named I1.X, being X any number suitable in the Shield. Outputs are named as Q1.X and relays as R1.X
- The inputs in the zone D are named I2.X, being X any number suitable in the Shield. Outputs are named as Q2.X and relays as R2.X

## 1.2 Reference table

| Reference Table   |                  |
|---|------------------|
| Model   | Reference        |
| <b>PLC M-Duino General Family</b>                             |                  |
| M-Duino PLC Arduino Ethernet 19R I/Os Analog / Digital Plus   | IS.MDUINO.19R+   |
| M-Duino PLC Arduino Ethernet 21 I/Os Analog / Digital Plus    | IS.MDUINO.21+    |
| M-Duino PLC Arduino Ethernet 38AR I/Os Analog / Digital Plus  | IS.MDUINO.38AR+  |
| M-Duino PLC Arduino Ethernet 38R I/Os Analog / Digital Plus   | IS.MDUINO.38R+   |
| M-Duino PLC Arduino Ethernet 42 I/Os Analog / Digital Plus    | IS.MDUINO.42+    |
| M-Duino PLC Arduino Ethernet 50RRA I/Os Analog / Digital Plus | IS.MDUINO.50RRA+ |
| M-Duino PLC Arduino Ethernet 53ARR I/Os Analog / Digital Plus | IS.MDUINO.53ARR+ |
| M-Duino PLC Arduino Ethernet 54ARA I/Os Analog / Digital Plus | IS.MDUINO.54ARA+ |
| M-Duino PLC Arduino Ethernet 57AAR I/Os Analog / Digital Plus | IS.MDUINO.57AAR+ |
| M-Duino PLC Arduino Ethernet 57R I/Os Analog / Digital Plus   | IS.MDUINO.57R+   |
| M-Duino PLC Arduino Ethernet 58 I/Os Analog / Digital Plus    | IS.MDUINO.58+    |

To find the reference of your M-Duino PLC, check the arrow in the picture below. In the example, the reference is: IS.MDUINO.58+



### 1.3 Zones Table

| Model              | Zones Table |                  |                  |                  |
|--------------------|-------------|------------------|------------------|------------------|
|                    | Zone A      | Zone B           | Zone C           | Zone D           |
| M-Duino PLC 19R+   | ✓           | Relay            | -                | -                |
| M-Duino PLC 21+    | ✓           | Analog / Digital | -                | -                |
| M-Duino PLC 38AR+  | ✓           | Analog / Digital | Relay            | -                |
| M-Duino PLC 38R+   | ✓           | Relay            | Relay            | -                |
| M-Duino PLC 42+    | ✓           | Analog / Digital | Analog / Digital | -                |
| M-Duino PLC 50RRA+ | ✓           | Relay            | Relay            | Analog / Digital |
| M-Duino PLC 53ARR+ | ✓           | Analog / Digital | Relay            | Relay            |
| M-Duino PLC 54ARA+ | ✓           | Analog / Digital | Relay            | Analog / Digital |
| M-Duino PLC 57AAR+ | ✓           | Analog / Digital | Analog / Digital | Relay            |
| M-Duino PLC 57R+   | ✓           | Relay            | Relay            | Relay            |
| M-Duino PLC 58+    | ✓           | Analog / Digital | Analog / Digital | Analog / Digital |

The distribution of the different features that provide the M-Duino PLC Family is the following one:

| Shield        | B Zone   | C Zone   | D Zone   |
|---------------|--|--|--|
| Analog Shield | <p>13 Inputs<br/>(13 Digital Inputs, 6 of which can work as Analog Input)</p> <p>8 Outputs<br/>(8 Digital Outputs, 3 of which can work as Analog Output)</p>               | <p>13 Inputs<br/>(13 Digital Inputs, 6 of which can work as Analog Input)</p> <p>8 Outputs<br/>(8 Digital Outputs, 3 of which can work as Analog Output)</p>               | <p>10 Inputs<br/>(10 Digital Inputs, 4 of which can work as Analog Input)</p> <p>6 Outputs<br/>(6 Digital Outputs, 2 of which can work as Analog Outputs)</p>              |
| Relay Shield  | <p>6 inputs<br/>(6 Digital Inputs, 4 of which can work as Analog Input)</p> <p>3 Outputs<br/>(3 Digital Outputs, 3 of which can work as Analog Output)</p> <p>8 Relays</p> | <p>6 inputs<br/>(6 Digital Inputs, 4 of which can work as Analog Input)</p> <p>3 Outputs<br/>(3 Digital Outputs, 3 of which can work as Analog Output)</p> <p>8 Relays</p> | <p>6 inputs<br/>(6 Digital Inputs, 4 of which can work as Analog Input)</p> <p>2 Outputs<br/>(2 Digital Outputs, 2 of which can work as Analog Output)</p> <p>7 Relays</p> |

## 1.4 A Zone Features

| Shield               | A Zone  |
|----------------------|---|
| Communication Shield | (1x) Ethernet<br>(1x) USB<br>(1x) I2C<br>(2x) TTL<br>(1x) RS-232<br>(1x) HALF/FULL Duplex RS-485<br>(1x) SPI external Port<br>(1x) RTC<br>(1x) uSD Socket |



## 1.5 Mechanical dimensions and weights

| Model              | Measures Table |            |            |                |
|--------------------|----------------|------------|------------|----------------|
|                    | Height (mm)    | Width (mm) | Depth (mm) | Max weight (g) |
| M-Duino PLC 19R+   | 119.5          | 70.1       | 101        | 378            |
| M-Duino PLC 21+    | 119.5          | 70.1       | 101        | 378            |
| M-Duino PLC 38AR+  | 119.5          | 94.7       | 101        | 488            |
| M-Duino PLC 38R+   | 119.5          | 94.7       | 101        | 488            |
| M-Duino PLC 42+    | 119.5          | 94.7       | 101        | 488            |
| M-Duino PLC 50RRA+ | 119.5          | 119.3      | 101        | 598            |
| M-Duino PLC 53ARR+ | 119.5          | 119.3      | 101        | 598            |
| M-Duino PLC 54ARA+ | 119.5          | 119.3      | 101        | 598            |
| M-Duino PLC 57AAR+ | 119.5          | 119.3      | 101        | 598            |
| M-Duino PLC 57R+   | 119.5          | 119.3      | 101        | 598            |
| M-Duino PLC 58+    | 119.5          | 119.3      | 101        | 598            |

## 1.6 General Features

| CONNECTABLE PLC ARDUINO 24Vcc M-DUINO        |  |  |
|--|--|--|
| MODEL TYPE                                   | Controller General Specifications  | Information  |
| <b>Input Voltage</b>                         | 12 to 24Vdc<br>— — —   | Fuse protection (2.5A)<br>Polarity protection  |
| <b>Input rated voltage</b>                   | 24Vdc<br>— — —   |  |
| <b>Rated Power</b>                           | 30W  |  |
| <b>I max.</b>                                | 1.5A   |  |
| <b>Size</b>                                  | <a href="#">Check size and weight table</a>  |  |
| <b>Clock Speed</b>                           | 16MHz  |  |
| <b>Flash Memory</b>                          | 256KB of which 8KB used by bootloader  |  |
| <b>SRAM</b>                                  | 8KB  |  |
| <b>EEPROM</b>                                | 4KB  |  |
| <b>Communications</b>                        | I2C – Ethernet Port – USB – RS485 – RS232 – SPI – SerialTTL (x2)   | Max232-Max485-W5500  |
| <b>USB consideration!</b>                    | <b>Only meant for uploading or debugging, not always connected as a serial in a project!</b>   | <b>Cannot be working in a final application</b>  |
| <b>An/Dig Input 10bit</b><br>(0-10Vcc)       | 0 to 10Vdc<br>Input Impedance: 39K<br>Separated PCB ground<br>Rated Voltage: 10Vdc<br><br>5 to 24Vdc<br>I min: 2 to 12 mA<br>Galvanic Isolation<br>Rated Voltage: 24Vdc<br>— — — | Max read time: 116 us<br><br>*Check <a href="#">Section 13</a> for digital inputs threshold detection  |
| <b>Digital Isolated Input</b><br>(24Vcc)     | 5 to 24Vdc<br>I min: 2 to 12 mA<br>Galvanic Isolation<br>Rated Voltage: 24Vdc<br>— — —   | All Digital Inputs are PNP .<br>Click <a href="#">here</a> <sup>1</sup> for more information.<br><br>Max read time: 8 us   |
| <b>* Interrupt isolated Input HS</b> (24Vcc) | 5 to 24Vdc<br>I min: 2 to 12 mA<br>Galvanic Isolation<br>Rated Voltage: 24Vdc<br>— — —   | Max read time: 8 us  |
| <b>Analog Output 8bit</b><br>(0-10Vcc)       | 0 to 10Vdc<br>I max: 20 mA<br>Separated PCB ground<br>Rated Voltage: 10Vdc<br>— — —  | Output frequency: 2Hz<br><br>Rising edge time: 150 ms<br>Falling edge time: 252 ms   |
| <b>Digital Isolated Output</b><br>(24Vcc)    | 5 to 24Vdc<br>I max: 70 mA<br>Galvanic Isolation<br>Diode Protected for Relay<br>Rated Voltage: 24Vdc<br>— — —   | I <sub>max</sub> 24Vdc: 410 mA<br><br>With 70 us delay,<br>freq is 6.849 kHz<br>with pulse width of 106 us<br><br>Rising edge time: 476 ns<br>Falling edge time: 42.8 us |

<sup>1</sup> <https://www.industrialshields.com/blog/arduino-industrial-1/post/npn-digital-inputs-on-industrial-plc-193>

|  |  |   |
|--|--|---|
| <b>Digital Isolated Output</b><br>Relay  | 30Vdc / 250Vac<br>Galvanic Isolation<br>Diode protected for Relay<br>   | I <sub>max</sub> : 3A (30Vdc)<br>I <sub>max</sub> : 5A (250Vac)                   |
| <b>PWM Isolated Output</b><br><b>8bit</b> (24Vcc)  | 5 to 24Vdc<br>I <sub>max</sub> : 70 mA<br>Galvanic Isolation<br>Diode Protected for Relay<br>Rated Voltage: 24Vdc<br> |   |
| <b>Direct Arduino Pin</b><br>Output  | 0 to 5Vdc<br>I <sub>max</sub> : 40 mA<br>Rated Voltage: 5Vdc   | Max frequency: 77kHz<br><br>Rising edge time: 200 ns<br>Falling edge time: 200 ns |
| <b>Direct Arduino Pin</b><br>Input   | 0 to 5Vdc<br>I <sub>max</sub> : 40 mA<br>Rated Voltage: 5Vdc   | Max read time: 8 us   |
| <b>I2C Pin</b>   | 5V Internal Pull-up  | Max frequency: 100 kHz<br>Rising edge time: 10 us<br>Falling edge time: 150 ns    |
| <b>One-Wire Pin</b>  | Usable pins:<br>Pin 2, Pin3, SCL, SDA, RX0, TX0,<br>RX1, TX1, MISO, MOSI, SCK  | Frequency: 800 kHz  |
| <b>Expandability</b>   | I2C - 127 elements - Serial Port RS232/RS485   |   |
| <b>* By using this type of signal it can no longer be used as Digital signal (24Vdc)</b> |  |   |



## 1.7 Power consumption of the M-Duino Family PLCs

| Model  | Current resting (mA) | Power resting (W) | Current active (mA) | Power active (W) |
|--------|----------------------|-------------------|---------------------|------------------|
| 21+    | 99                   | 2,376             | 120                 | 2,88             |
| 42+    | 92                   | 2,208             | 128                 | 3,072            |
| 58+    | 76                   | 1,824             | 126                 | 3,024            |
| 19R+   | 80                   | 1,92              | 202                 | 4,848            |
| 38R+   | 77                   | 1,848             | 313                 | 7,512            |
| 57R+   | 73                   | 1,752             | 425                 | 10,2             |
| 38AR+  | 72                   | 1,728             | 221                 | 5,304            |
| 53ARR+ | 71                   | 1,704             | 323                 | 7,752            |
| 57AAR+ | 71                   | 1,704             | 221                 | 5,304            |
| 54ARA+ | 76                   | 1,824             | 231                 | 5,544            |
| 50RRA+ | 82                   | 1,968             | 322                 | 7,728            |

The power consumption is measured at 24Vdc.



The **current resting** column denotes the minimum current drawn by the PLC when all outputs are at a LOW level, representing the PLC's baseline power consumption.

In contrast, the **current active** column reflects the current drawn by the PLC when all outputs are at a HIGH level, and there are no connections to any of the outputs. While this value is not the absolute maximum the Arduino based PLC can draw, it serves as a reference point for expected current values.

It's important to note that the practical maximum current may vary depending on the type of actuators connected to the outputs and the number of I/Os used. The actual consumption can be influenced by the specific configuration and load connected to the PLC's outputs."

## 2 Technical Specifications:

### 2.1 General Specifications:




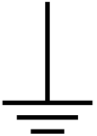




| Item                               |                                      | M-Duino Family PLC  |
|------------------------------------|--------------------------------------|---|
| Power supply voltage               | DC power supply                      | 12 to 24Vdc   |
| Operating voltage range            | DC power supply                      | 11.4 to 25.4Vdc    |
| Power consumption                  | DC power supply                      | 30W max.  |
| External power supply requirements | Power supply voltage                 | 24Vdc    |
|                                    | Power supply minimum output capacity | 700mA   |
| Insulation resistance              |                                      | 20MΩ min.at 500Vdc between the AC terminals and the protective earth terminal.  |
| Dielectric strength                |                                      | 2.300Vac at 50/60 Hz for one minute with a leakage current of 10mA max. Between all the external AC terminals and the protective ground terminal. |
| Shock resistance                   |                                      | 80m/s <sup>2</sup> in the X, Y and Z direction 2 times each.  |
| Ambient temperature (operating)    |                                      | 0° to 60°C  |
| Ambient humidity (operating)       |                                      | 10% to 90% (no condensation)  |
| Ambient environment (operating)    |                                      | With no corrosive gas   |
| Ambient temperature (storage)      |                                      | -20° to 60°C  |
| Power supply holding time          |                                      | 2ms min.  |
| Weight                             |                                      | <a href="#">Check size and weight table</a>   |

### 2.2 Performance Specification:

|                         |  |
|-------------------------|--|
| Arduino Board           | ARDUINO MEGA 2560  |
| Control method          | Stored program method  |
| I/O control method      | Combination of the cyclic scan and immediate refresh processing methods.   |
| Programming language    | Arduino IDE. Based on wiring (Wiring is an Open Source electronics platform composed of a programming language “similar to the C”. <a href="http://arduino.cc/en/Tutorial/HomePage">http://arduino.cc/en/Tutorial/HomePage</a> |
| Microcontroller         | ATmega2560   |
| Flash Memory            | 256KB of which 8KB are used by the bootloader  |
| Program capacity (SRAM) | 8KB  |
| EEPROM                  | 4KB  |
| Clock Speed             | 16MHz  |

## 2.3 Symbology

Table that includes all the symbology that is used in the serigraph of the M-Duino PLC Family:

| Symbol  | Standard No. / Standard Title                      | Standard Reference No. / Symbol Title | Symbol Meaning   |
|---|--|---------------------------------------|--|
|    | IEC 60417 / Graphical symbols for use on equipment | 5031 / Direct Current                 | Indicates that the equipment is suitable for direct current only; to identify relevant terminals               |
|    | IEC 60417 / Graphical symbols for use on equipment | 5032 / Alternating Current            | Indicates that the equipment is suitable for alternating current only; to identify relevant terminals          |
|   | IEC 60417 / Graphical symbols for use on equipment | 5130 / Pulse General                  | To identify the control by which a pulse is started.   |
|  | IEC 60417 / Graphical symbols for use on equipment | 5017 / Earth, Ground                  | To identify an earth (ground) terminal in cases where neither the symbol 5018 nor 5019 is explicitly required. |
|  | IEC 60417 / Graphical symbols for use on equipment | 5115 / Signal lamp                    | To identify the switch by means of which the signal lamp(s) is (are) switched on or off.                       |
|  | 2004/108/EC / Electromagnetic Compatibility        | CE Marking                            | CE marking indicates that a product complies with applicable European Union regulations                        |
|  | ISO 7000/ Graphical symbols for use on equipment   | 0434B / Warning symbol                | Indicates a potentially hazardous situation which, if not avoided, could result in death or serious injury     |
|  | ISO 7000/ Graphical symbols for use on equipment   | 5036 / Dangerous Voltage              | To indicate hazards arising from dangerous voltages  |

## 3 Precautions

Read this manual before attempting to use any of the M-Duino PLC Family and follow its descriptions for reference during operation.

### 3.1 Arduino Board

The M-Duino Family PLCs include an Arduino Mega Board as controller.

### 3.2 Intended Audience

This manual is intended for technicians, who must have knowledge on electrical systems.

### 3.3 General Precautions

The user must operate an M-Duino according to the performance specifications described in this manual. Before using M-Duino under different conditions from what has been specified in this manual or integrating M-Duino to nuclear control systems, railroad systems, aviation systems, vehicles, combustion systems, medical equipment, amusement machines, safety equipment and other systems, machines, and equipment that may have a serious influence on lives and property if used improperly, consult your INDUSTRIAL SHIELDS representative. Ensure that the rating and performance characteristics of M-Duino are sufficient for the systems, machines, and equipment, and be sure to provide the systems, machines, and equipment double safety mechanisms. This manual provides information for programming and operating the M-Duino.

### 3.4 Isolation Precautions

#### Description:

This equipment does **not include galvanic isolation between the grounds** of the different systems. This means that if an external device or sensor that shares the same ground reference (GND) with the system is connected, any potential difference between these grounds could damage the connected components. To avoid issues with interference, ground loops, or damage to external equipment, ensure that all connected devices share the same ground reference or use systems with appropriate isolation.

#### Recommendations:

- **Connection Review:** Verify that all ground connections are properly made and that there are no significant potential differences between them.
- **Use of Isolation:** Consider using galvanic isolators or isolation transformers if it is necessary to connect equipment with different ground references.

## 4 M-Duino Pinout

| Model  | Reference        | IOs Table                  |                        |                         |                       |              |                                   |
|--------|------------------|----------------------------|------------------------|-------------------------|-----------------------|--------------|-----------------------------------|
|        |                  | Analog Input* <sup>1</sup> | Digital Isolated Input | Digital Isolated Output | Digital/Analog Output | Relay Output | PWM Isolated Output* <sup>2</sup> |
| 19R+   | IS.MDUINO.19R+   | 4                          | 2                      | 0                       | 3                     | 8            | 3                                 |
| 21+    | IS.MDUINO.21+    | 6                          | 7                      | 5                       | 3                     | 0            | 3                                 |
| 38AR+  | IS.MDUINO.38AR+  | 10                         | 9                      | 5                       | 6                     | 8            | 6                                 |
| 38R+   | IS.MDUINO.38R+   | 8                          | 4                      | 0                       | 6                     | 16           | 6                                 |
| 42+    | IS.MDUINO.42+    | 12                         | 14                     | 10                      | 6                     | 0            | 6                                 |
| 50RRA+ | IS.MDUINO.50RRA+ | 12                         | 10                     | 4                       | 8                     | 16           | 8                                 |
| 53ARR+ | IS.MDUINO.53ARR+ | 14                         | 11                     | 5                       | 8                     | 15           | 8                                 |
| 54ARA+ | IS.MDUINO.54ARA+ | 14                         | 15                     | 9                       | 8                     | 8            | 8                                 |
| 57AAR+ | IS.MDUINO.57AAR+ | 16                         | 16                     | 10                      | 8                     | 7            | 8                                 |
| 57R+   | IS.MDUINO.57R+   | 12                         | 6                      | 0                       | 8                     | 23           | 8                                 |
| 58+    | IS.MDUINO.58+    | 16                         | 20                     | 14                      | 8                     | 0            | 8                                 |

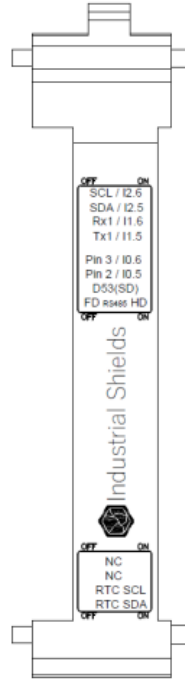
\*<sup>1</sup> The analog inputs can also be used as digital inputs.

\*<sup>2</sup> The PWM isolated outputs can also be used as digital isolated outputs. The associated PWM and analog outputs cannot be used at the same time (check [switch configuration](#)).

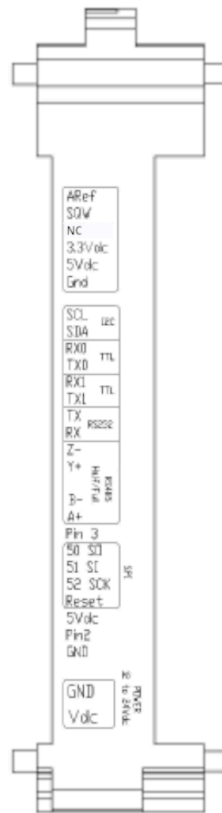
## 5 Serigraphy

### 5.1 A Zone connection (Communications)

| Base              |             |             |
|-------------------|-------------|-------------|
| A Zone            |             |             |
| M-Duino Connector | Arduino Pin | Function    |
| AREF              | AREF        | Arduino Pin |
| SQW               | SQW         | Arduino Pin |
| -                 | -           | -           |
| 3.3Vdc            | 3.3Vdc      | Arduino Pin |
| 5Vdc              | 5Vdc        | -           |
| GND               | GND         | GND         |



| Base              |             |                    |
|-------------------|-------------|--------------------|
| A Zone            |             |                    |
| M-Duino Connector | Arduino Pin | Function           |
| SCL               | 21          | I2C/SS             |
| SDA               | 20          | I2C/SS             |
| RX0               | 0           | RX0/SS             |
| TX0               | 1           | TX0/SS             |
| RX1               | 19          | RX1/SS             |
| TX1               | 18          | TX1/SS             |
| TX                | 16          | RS232              |
| RX                | 17          | RS232              |
| Z-                | -           | RS485              |
| Y+                | -           | RS485              |
| B-                | -           | RS485              |
| A+                | -           | RS485              |
| PIN3              | 3           | Arduino Pin        |
| 50 SO             | 50          | SPI                |
| 51 SI             | 51          | SPI                |
| 52 SCK            | 52          | SPI                |
| Reset             | Reset       | SPI                |
| 5Vdc              | 5Vdc        | 5V                 |
| PIN2              | 2           | Arduino Pin        |
| GND               | -           | Gnd                |
| GND               | -           | Gnd (Power Supply) |
| Vdc               | -           | Vdc (Power Supply) |



Configuration Switch\* (see section 8 for configuring the communications).

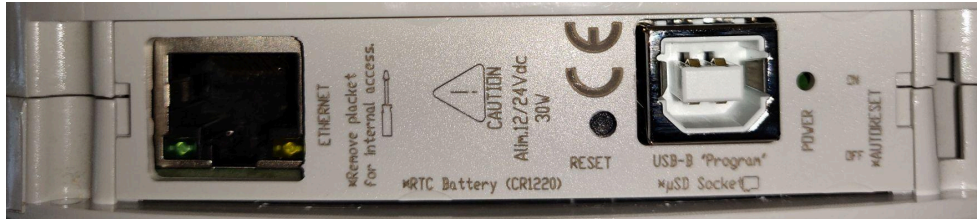
Enabling communications disables some I/Os

Communication Pins

Power supply connectors

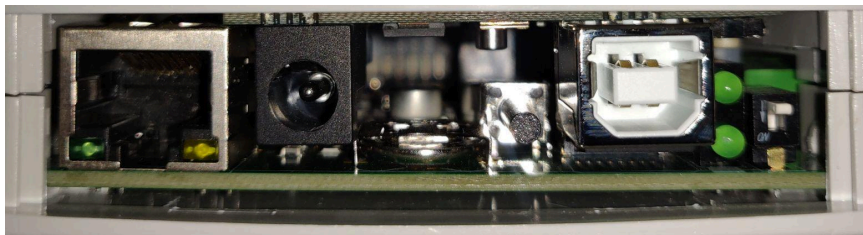
(12/24Vdc – GND)

SS: Chip Select pins. These pins can act as TTL, so they can work for the Chip Select pin of any device.



Ethernet

Reset USB-B



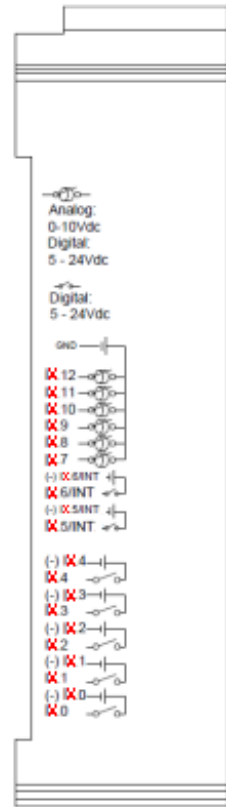
RTC

Programmable button

## 5.2 Analog/Digital Zone connection (I/Os)

| <b>X Zone</b>               |                    |
|-----------------------------|--------------------|
| M-Duino Connector           | Function           |
| <b>IX.12</b>                | Analog/Digital In* |
| <b>IX.11</b>                | Analog/Digital In* |
| <b>IX.10</b>                | Analog/Digital In  |
| <b>IX.9</b>                 | Analog/Digital In  |
| <b>IX.8</b>                 | Analog/Digital In  |
| <b>IX.7</b>                 | Analog/Digital In  |
| <b>(-)IX.6</b>              | GND IX.6           |
| <b>IX.6/INT<sup>2</sup></b> | Interrupt X In     |
| <b>(-)IX.5</b>              | GND IX.5           |
| <b>IX.5/INT<sup>1</sup></b> | Interrupt X In     |
| <b>(-)IX.4</b>              | GND IX.4*          |
| <b>IX.4</b>                 | Digital Input*     |
| <b>(-)IX.3</b>              | GND IX.3           |
| <b>IX.3</b>                 | Digital Input      |
| <b>(-)IX.2</b>              | GND IX.2           |
| <b>IX.2</b>                 | Digital Input      |
| <b>(-)IX.1</b>              | GND IX.1           |
| <b>IX.1</b>                 | Digital Input      |
| <b>(-)IX.0</b>              | GND IX.0           |
| <b>IX.0</b>                 | Digital Input      |

\*Connectors IX.12, IX.11 and IX.4 are not connected (NC) in D Zone.

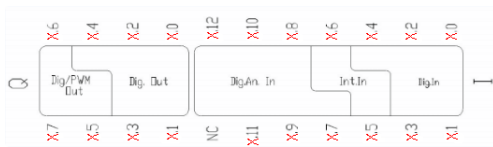


Analog/Digital Inputs

Interrupt Inputs (isolated)

Digital Inputs (isolated)

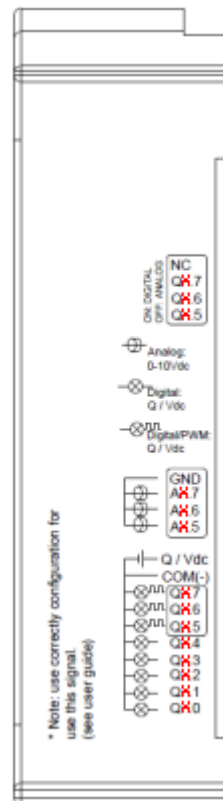
### Top Zone



Led indicator I/Os state

| <b>X Zone</b>     |                           |
|-------------------|---------------------------|
| M-Duino Connector | Function                  |
| <b>GND</b>        | GND                       |
| <b>AX.7</b>       | Analog Out*               |
| <b>AX.6</b>       | Analog Out                |
| <b>AX.5</b>       | Analog Out                |
| <b>QVdc</b>       | External Isolated Out Vdc |
| <b>COM(-)</b>     | External Isolated Out GND |
| <b>QX.7</b>       | Digital/PWM Out*          |
| <b>QX.6</b>       | Digital/PWM Out           |
| <b>QX.5</b>       | Digital/PWM Out           |
| <b>QX.4</b>       | Digital Out*              |
| <b>QX.3</b>       | Digital Out               |
| <b>QX.2</b>       | Digital Out               |
| <b>QX.1</b>       | Digital Out               |
| <b>QX.0</b>       | Digital Out               |

\*Connectors AX.7, QX.7 and QX.4 are not connected (NC) in D Zone.



Configuration Switch\*

(see section 8 to select the correct configuration for outputs).

Analog Outputs

Voltage Supply/Reference for Digital/PWM Outputs (isolated)

Digital Outputs

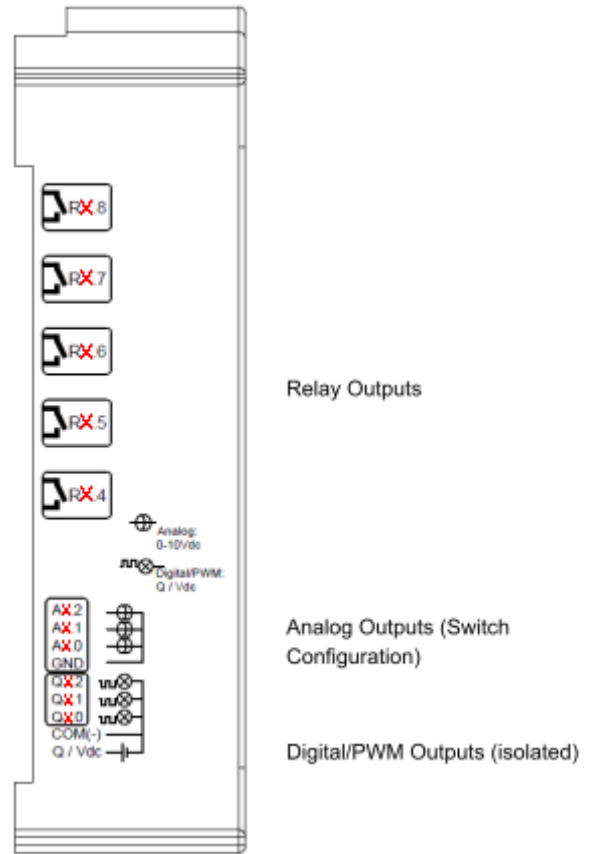
<sup>2</sup> See [section 5.4](#) to know more about interrupt pins.



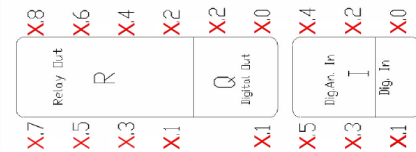
### 5.3 Relay Zone connection (I/Os)

| X Zone            |                           |
|-------------------|---------------------------|
| M-Duino Connector | Function                  |
| <b>RX.8</b>       | Relay Out                 |
| <b>RX.7</b>       | Relay Out                 |
| <b>RX.6</b>       | Relay Out                 |
| <b>RX.5</b>       | Relay Out*                |
| <b>RX.4</b>       | Relay Out                 |
| <b>AX.2</b>       | Analog Out*               |
| <b>AX.1</b>       | Analog Out                |
| <b>AX.0</b>       | Analog Out                |
| <b>GND</b>        | GND                       |
| <b>QX.2</b>       | Digital/PWM Out*          |
| <b>QX.1</b>       | Digital/PWM Out           |
| <b>QX.0</b>       | Digital/PWM Out           |
| <b>COM(-)</b>     | External Isolated Out Gnd |
| <b>QVdc</b>       | External Isolated Out Vdc |

\*Connectors RX.5, AX.2 and QX.2 are not connected (NC) in D Zone.

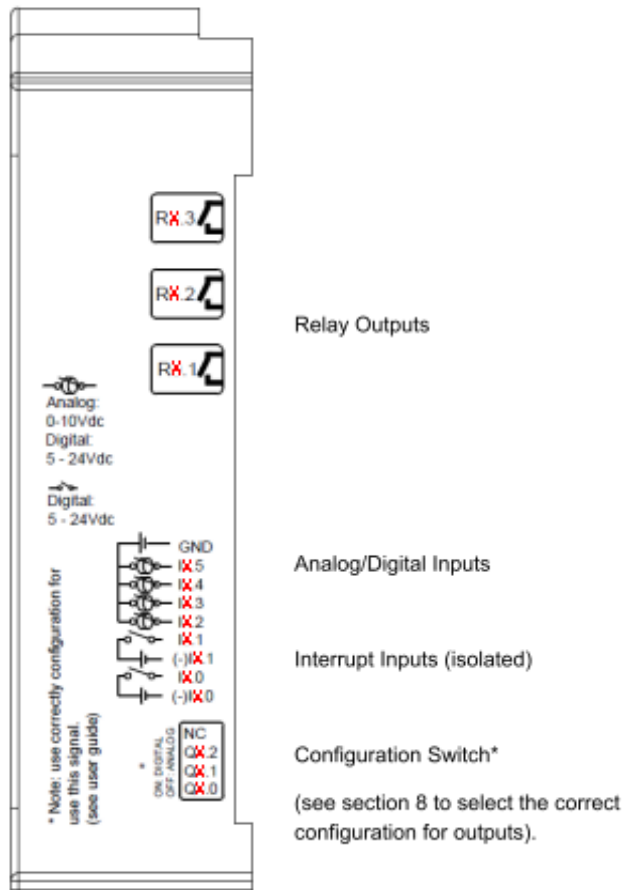


#### Top Zone



#### Led indicator I/Os state

| X Zone                      |                      |
|-----------------------------|----------------------|
| M-Duino Connector           | Function             |
| <b>RX.3</b>                 | Relay Out            |
| <b>RX.2</b>                 | Relay Out            |
| <b>RX.1</b>                 | Relay Out            |
| <b>GND</b>                  | GND                  |
| <b>IX.5</b>                 | Analog/Digital Input |
| <b>IX.4</b>                 | Analog/Digital Input |
| <b>IX.3</b>                 | Analog/Digital Input |
| <b>IX.2</b>                 | Analog/Digital Input |
| <b>IX.1/INT<sup>3</sup></b> | Interrupt X In       |
| <b>(-)IX.1</b>              | GND IX.1             |
| <b>IX.0/INT</b>             | Interrupt X In       |
| <b>(-)IX.0</b>              | GND IX.0             |



<sup>3</sup> See [section 5.4](#) to know more about interrupt pins.

## 5.4 Interrupt equivalence table

See the [Reference Table](#) in order to know the specific device details.

| Zone | Analog/Digital |               |             | Relay     |               |             |
|------|----------------|---------------|-------------|-----------|---------------|-------------|
|      | PLC Input      | PLC Interrupt | M-Duino Pin | PLC Input | PLC Interrupt | M-Duino Pin |
| B    | 0.6            | INT1          | PIN3        | 0.1       | INT1          | PIN3        |
|      | 0.5            | INT0          | PIN2        | 0.0       | INT0          | PIN2        |
| C    | 1.5            | INT5          | PIN19       | 1.1       | INT5          | PIN19       |
|      | 1.6            | INT4          | PIN18       | 1.0       | INT4          | PIN18       |
| D    | 2.5            | INT3          | PIN21       | 2.1       | INT3          | PIN21       |
|      | 2.6            | INT2          | PIN20       | 2.0       | INT2          | PIN20       |

Check this [link](#) for more information.

## 6 Software interface

Industrial Shields PLC are programmed using Arduino IDE, which is a software based on the C language. They can also be programmed directly using C, but it is much easier working with Arduino IDE, as it provides lots of useful libraries.

Industrial Shields provide a boards package for programming the PLCs, making it easier and friendlier. It includes various facilities such as not having to define the pins, etc.

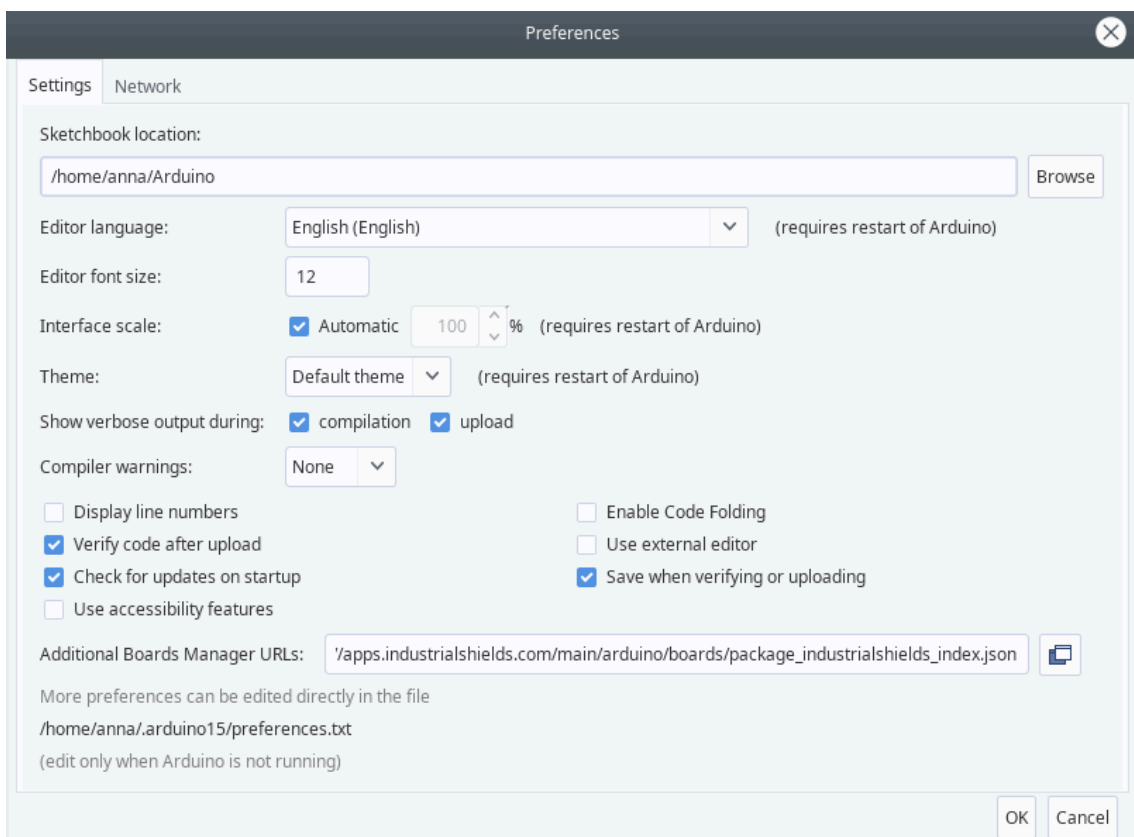
In order to install Industrial Shields boards, these are the steps that must be followed.

### Requirements:

Arduino IDE 1.8.15 or above (recommended: 1.8.19).

### Steps:

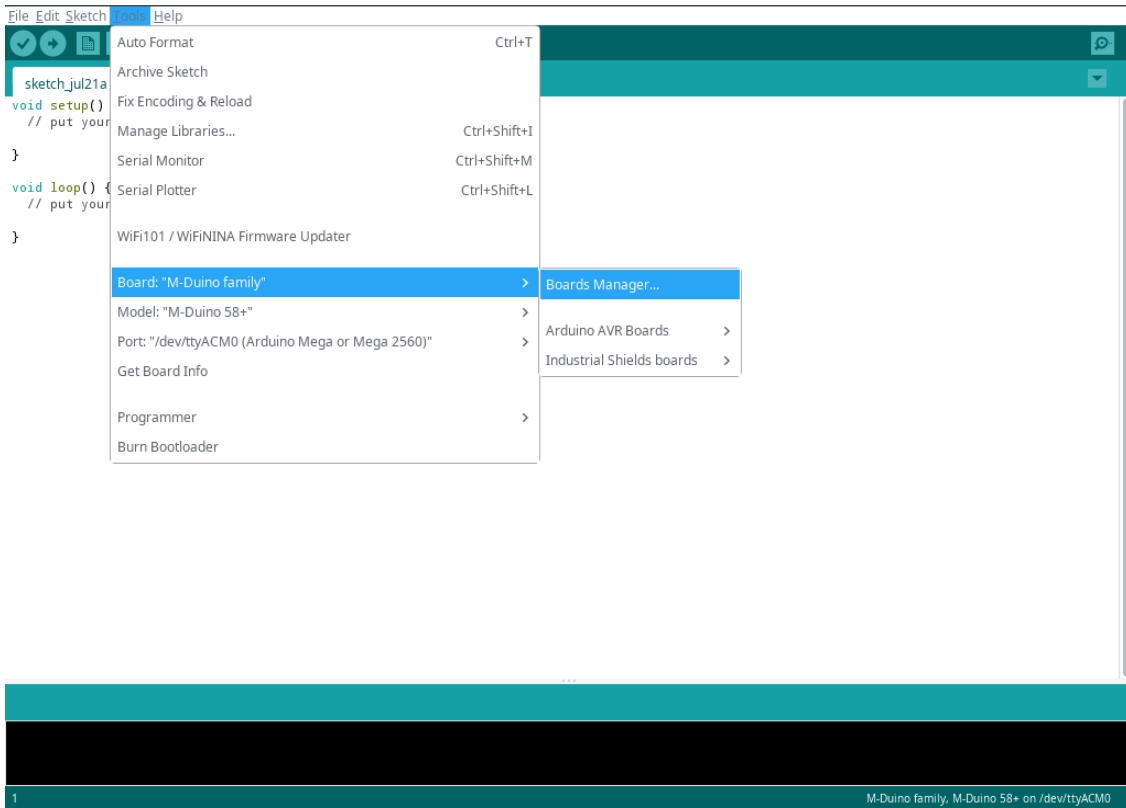
1. Open Arduino IDE and go to: "File -> Preferences" located in the top left corner.



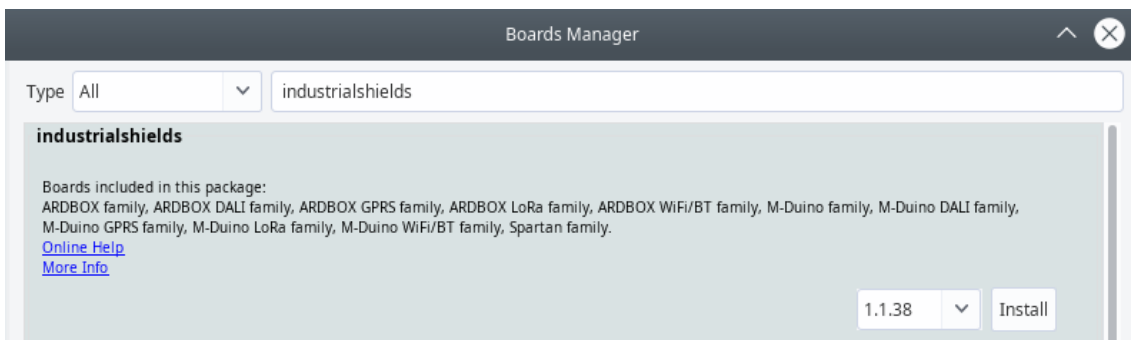
2. In Additional Boards Manager URLs write the following:

[http://apps.industrialshields.com/main/arduino/boards/package\\_industrialshields\\_index.json](http://apps.industrialshields.com/main/arduino/boards/package_industrialshields_index.json)

3. Press OK to save the changes.
4. Go to: Tools -> Board: ... -> Boards Manager

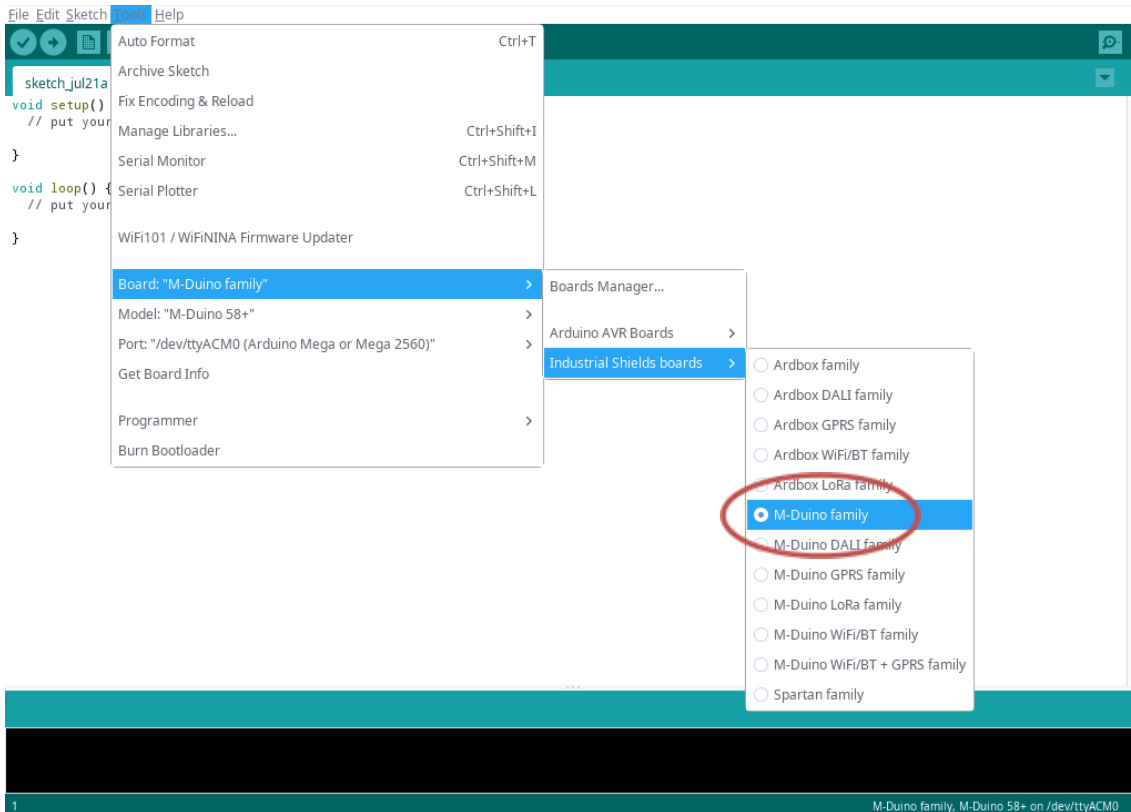


5. Search for "industrialshields" on the browser.

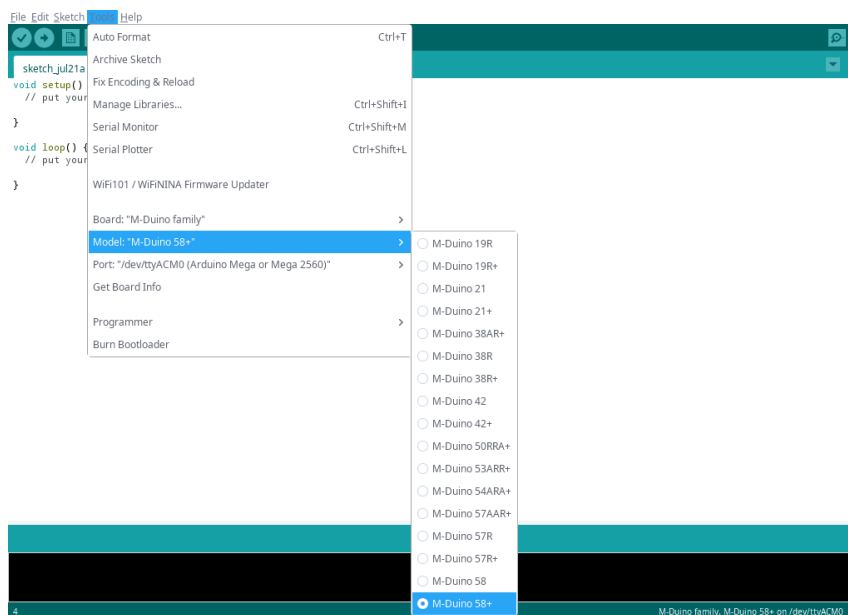


6. Click install (selecting the latest version).

Following these steps you will be able to see now the Industrial Shields Boards:



Once it is selected M-Duino Family, an extra option will appear on Tools:



There, it can be selected the exact model for every family.

Also there are some examples of programming in File -> Examples -> M-Duino Family.

Furthermore there are some extra libraries that can be found in Industrial Shields github.

<https://github.com/Industrial-Shields/>

## 7 How to connect PLC Arduino to PC

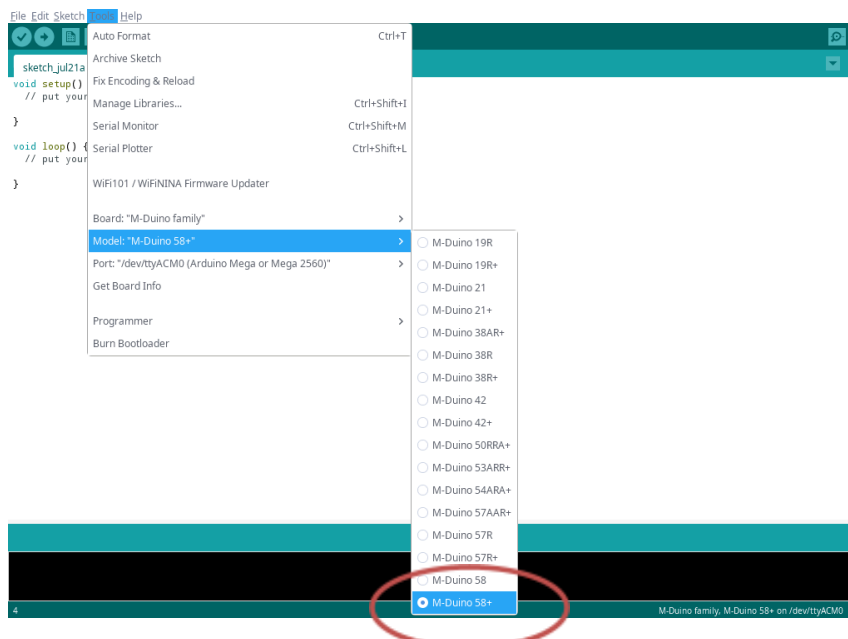
- Connect USB port from PLC to PC.

**NOTE:**

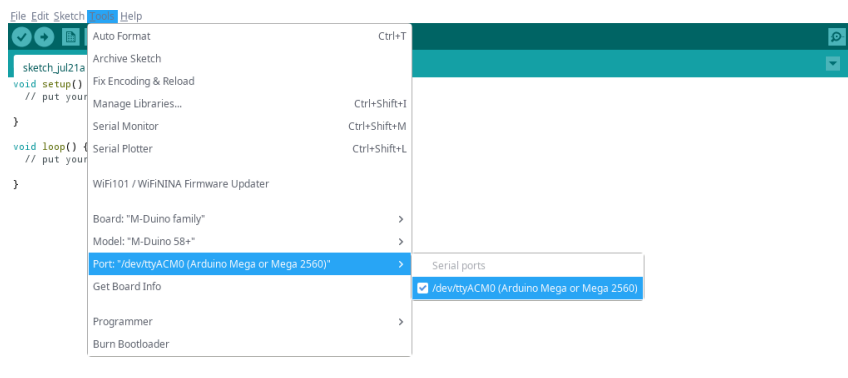
M-Duino Family uses USB-B cable.



- Open Arduino IDE interface:
- Select Industrial Shields boards -> M-Duino Family
- Select the correct M-Duino Board (M-Duino 58+ in our example).

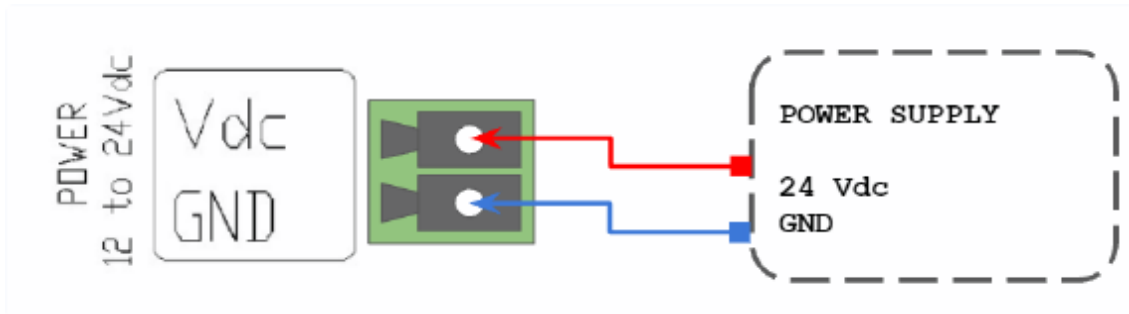


- Select the correct port.



## 8 How to connect PLC to power supply

- M-Duino Family PLCs are 12-24Vdc supplied. **IMPORTANT: The polarity IS NOT REVERSAL!**
- Make sure that the live and GND connector of the power supply match the PLC.
- Make sure that the power supply mains output is not higher than 24Vdc.



- Suggested power suppliers

Compact DIN rail power supply. Assembled on 35mm DIN Rail:

-12Vdc / 24Vdc

-2.5A

-30W

Industrial Shields power supplies provide parallel operation, overvoltage protection, and overcurrent protection. There is a LED indicator for power status, the power supply is certified according to UL.



The standard, Part 1 of IEC 61010, sets the general safety requirements for the following types of electrical devices and their accessories, regardless of where use of the device is intended.

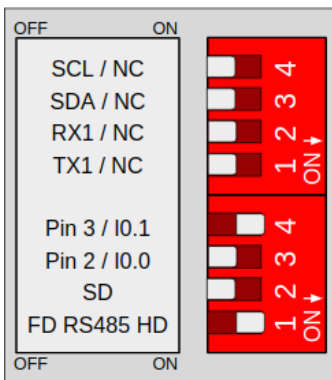
The equipment must be powered from an external power source in accordance with IEC 61010-1, whose output is MBTS and is limited in power according to section 9.4 of IEC 61010-1.

**WARNING:** Once the equipment is installed inside an electrical cabinet, the MTBS cables of the equipment must be separated from the dangerous voltage cables.

## 9 Switch configuration

### 9.1 A Zone: Communications

| A Zone     |       |    |
|------------|-------|----|
| Switch     | OFF   | ON |
| SCL   XX   | SCL   | XX |
| SDA   XX   | SDA   | XX |
| RX1   XX   | RX1   | XX |
| TX1   XX   | TX1   | XX |
| Pin 3   XX | Pin 3 | XX |
| Pin 2   XX | Pin 2 | XX |
| SD   XX    | SD    | XX |
| FD   HD    | FD    | HD |



This is an A Zone Switch example from M-Duino 19R+. In this case, SCL, SDA, RX1, TX1, I0.1, Pin 2, SD and HD are enabled. This means Pin 3, I0.0 and FD are disabled. (NC refers to Not Connected).

**4. SCL | XX:** Choosing between SCL or the input XX. If the switch is ON, it enables XX and disables SCL. If the switch is OFF, it enables SCL and disables XX. The serigraphy in the PLC will indicate which input is referred to XX.

**3. SDA | XX:** Choosing between SDA or the input XX. If the switch is ON, it enables XX and disables SDA. If the switch is OFF, it enables SDA and disables XX. The serigraphy in the PLC will indicate which input is referred to XX.

**2. RX1 | XX:** Choosing between RX1 or the input XX. If the switch is ON, it enables XX and disables RX1. If the switch is OFF, it enables RX1 and disables XX. The serigraphy in the PLC will indicate which input is referred to XX.

**1. TX1 | XX:** Choosing between TX1 or the input XX. If the switch is ON, it enables XX and disables TX1. If the switch is OFF, it enables TX1 and disables XX. The serigraphy in the PLC will indicate which input is referred to XX.



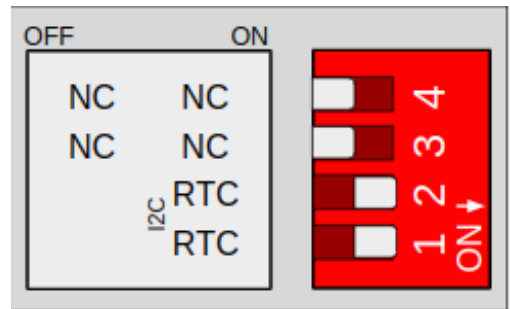
**4. Pin 3 | XX:** Choosing between Pin 3 or the input XX. If the switch is ON, it enables XX and disables Pin 3. If the switch is OFF, it enables Pin 3 and disables XX. The serigraphy in the PLC will indicate which input is referred to XX.

**3. Pin 2 | XX:** Choosing between Pin 2 or the input XX. If the switch is ON, it enables XX and disables Pin 2. If the switch is OFF, it enables Pin 2 and disables XX. The serigraphy in the PLC will indicate which input is referred to XX.

**2. SD | XX:** Choosing between SD or the input XX. If the switch is ON, it enables XX and disables SD. If the switch is OFF, it enables SD and disables XX. The serigraphy in the PLC will indicate which input is referred to XX.

**1. FD | HD:** Choosing between FD or HD. If the switch is ON, it enables HD and disables FD. If the switch is OFF, it enables FD and disables HD. Note: HD stands for Half Duplex and FD means Full Duplex. Check [section 11.2](#) for more information.

| A Zone   |     |     |
|----------|-----|-----|
| Switch   | OFF | ON  |
| NC       | -   | -   |
| NC       | -   | -   |
| NC   RTC | -   | RTC |
| NC   RTC | -   | RTC |

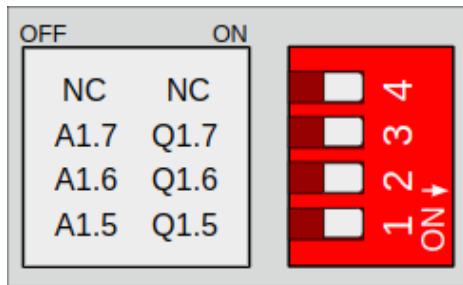


This switch enables the communication with RTC using I2C. Having this switch in ON mode activates the communication, whereas if it is in OFF mode it disables the I2C to reach the RTC.

## 9.2 Digital/Analogic Shield Switches

| Digital/ Analogic Shield Switch |      |      |
|---------------------------------|------|------|
| Switch                          | OFF  | ON   |
| NC                              | -    | -    |
| AX.7   QX.7                     | AX.7 | QX.7 |
| AX.6   QX.6                     | AX.6 | QX.6 |
| AX.5   QX.5                     | AX.5 | QX.5 |

\*X can change depending on which zone we are in. Check the serigraphy in the PLC to know what number takes X.



We can see here an example switch from the C Zone (Notice that X takes value 1 here).

For the Analog Shield if a switch is set to ON, it can only act as Digital Output. If it is set to OFF it can only act as an Analog Output.

If it is desired to use a Digital Output the switch must be set to ON and the pin that will provide this digital output is represented with QX.X, being X any number of the table above.

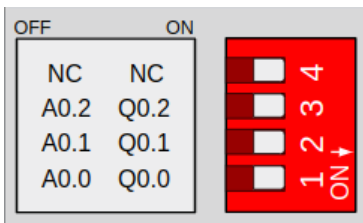
If it is desired to use an Analog Output the switch must be set to OFF and the pin that will provide this digital output is represented with AX.X, being X any number of the table above.

**\*IMPORTANT:** In D Zone, output A2.7 | Q2.7 is not connected.

### 9.3 Relay Shield Switches

| Relay Shield Switch |      |      |
|---------------------|------|------|
| Switch              | OFF  | ON   |
| NC                  | -    | -    |
| AX.2   QX.2         | AX.2 | QX.2 |
| AX.1   QX.1         | AX.1 | QX.1 |
| AX.0   QX.0         | AX.0 | QX.0 |

\*X can change depending on which zone we are in. Check the serigraphy in the PLC to know what number takes X.



We can see here an example switch from the B Zone (Notice that X takes value 0 here).

For the Relay Shield if a switch is set to ON, it can only act as Digital Output. If it is set to OFF it can only act as an Analog Output.

If it is desired to use a Digital Output the switch must be set to ON and the pin that will provide this digital output is represented with QX.X, being X any number of the tables above.

If it is desired to use an Analog Output the switch must be set to OFF and the pin that will provide this digital output is represented with AX.X, being X any number of the tables above.

**\*IMPORTANT:** In D Zone, output A2.2 | Q2.2 is not connected.

## 10 M-Duino Arduino I/Os 5V pins

The M-Duino has some of the Mega board pins available. These pins can be programmed according to Arduino features such as I/Os operating at 5V or any additional features present in the pins (for example I2C communication in pins SCL and SDA). As these pins are directly connected to the Arduino Mega board they are not as well protected as the normal inputs. These pins are mainly meant to be used as prototyping.

The Arduino board available pins are summarised in the table below. In order to access some of these pins the configuration switch must be set to OFF position (see [section 9](#)) and some extra considerations must be taken in consideration.

| M-Duino terminal | Arduino pin | Enable Arduino pin        |
|------------------|-------------|---------------------------|
| SCL              | 21          | Communication switch: OFF |
| SDA              | 20          | Communication switch OFF  |
| RX0              | 0           |                           |
| TX0              | 1           |                           |
| RX1              | 19          | Communication switch: OFF |
| TX1              | 18          | Communication switch: OFF |
| RX               | 17          |                           |
| TX               | 16          |                           |
| MISO             | 50          |                           |
| MOSI             | 51          |                           |
| SCK              | 52          |                           |
| Pin 3            | 3           | Communication switch: OFF |
| Pin 2            | 2           | Communication switch: OFF |



**\*IMPORTANT:** Do not connect the terminals in the chart above to voltages higher than 5V. These terminals provide direct access to the Mega board.

Apart from the switch configuration there are some special conditions depending on these 5V, which are explained in the following sections.

### 10.1 I2C pins – SDA/SCL

The I2C protocol is meant to work in a pull-up configuration. A pull-up configuration means that when the pin is at rest (nothing connected to it) it always reads a HIGH value. In this case it reads 5V when nothing is connected. The pull-up configuration is established by default in these pins.

In order to use them as an internal arduino direct PIN at 5V, it has to be considered that they are pull-up inputs (a 2200Ω resistor is used in the internal pull-up).

## 10.2 Serial 0 – RX0/TX0

The Serial0 protocol can work also as a 5V pin. These pins should be used ultimately, only in case that all the 5V pins are already performing a function. This is because they are shared with the USB interface. If using these pins, the USB communication cannot be working at the same time.

When the PLC is not installed, the USB communication is normally required for debugging, uploading and intercommunicating with the Ethernet controller. If using both interfaces at the same time the Arduino board will get blocked.

These pins are not established with a pull-up or a pull-down configuration. The state of these pins is unknown. If these pins must be used, they require a pull-up or a pull-down configuration. The Arduino board allows the pins to be set in a pull-up configuration. If not, they must be configured as an external pull-up or pull-down circuit in order to correctly work.

## 10.3 Serial 1 – RX1/TX1

To know how to configure these pins correctly, check [section 9](#). If not using the Serial 1 interface these pins can work as digital, either input or output.

These pins are not established with a pull-up or a pull-down configuration. The state of these pins is unknown. If these pins must be used, they require a pull-up or a pull-down configuration. The Arduino board allows the pins to be set in a pull-up configuration. If not, they must be configured as an external pull-up or pull-down circuit in order to correctly work.

## 10.4 SPI – MISO/MOSI/SCK

These pins can only work as a 5V pins if the Ethernet protocol is not going to be used. As the Ethernet protocol uses the SPI to communicate with the Arduino board, both behaviours cannot happen at the same time, as the Ethernet would not work.

These pins are not established with a pull-up or a pull-down configuration. The state of these pins is unknown. If these pins must be used, they require a pull-up or a pull-down configuration. The Arduino board allows the pins to be set in a pull-up configuration. If not, they must be configured as an external pull-up or pull-down circuit in order to correctly work.

## 10.5 Pin 2/Pin 3

To know how to configure these pins correctly, check [section 9](#).

These pins are not established with a pull-up or a pull-down configuration. The state of these pins is unknown. If these pins must be used, they require a pull-up or a pull-down configuration. The Arduino board allows the pins to be set in a pull-up configuration. If not, they must be configured as an external pull-up or pull-down circuit in order to correctly work.

## 11 A Zone Features: Communications & RTC & uSD

### 11.1 RS-232

The Arduino Mega function code to access the RS-232 port in the M-Duino is Serial2 (pins 16 and 17 of the Arduino Mega).

For the RS-232 communication protocol there isn't any switch that affects it. So it does not matter the configuration of the switches to implement a RS-232 communication.

Using the boards of Industrial Shields, there is a library that simplifies the RS-232 implementation.

Click [here](#)<sup>4</sup> or [here](#)<sup>5</sup> to see more about this communication.

### 11.2 RS-485

For RS485 communication protocol the defined Arduino Mega pins are shown in the chart below.

| Function | Arduino Pin |
|----------|-------------|
| DI       | 14          |
| RO       | 15          |
| RE       | 11          |
| DE       | 46          |

For the RS-485 communication protocol there is only one switch that affects this communication. The RS-485 protocol will be always enabled, the only switch that affects is the one called "FD rs-485 HD" (See [Section 9](#)). This switch makes the choice between RS-485 Half Duplex or RS-485 Full Duplex (RS-422).

Using the boards of Industrial Shields, there is a library that simplifies the RS-485 implementation.

Click [here](#)<sup>6</sup> or [here](#)<sup>7</sup> to see more about this communication.

<sup>4</sup> <https://www.industrialshields.com/blog/arduino-industrial-1/post/basics-about-rs232-of-an-industrial-plc-183>

<sup>5</sup> <https://www.industrialshields.com/blog/arduino-industrial-1/post/how-to-use-rs-232-on-industrial-arduino-based-plc-16>

<sup>6</sup> <https://www.industrialshields.com/blog/arduino-industrial-1/post/basics-about-rs-485-of-an-industrial-plc-195>

<sup>7</sup> <https://www.industrialshields.com/blog/arduino-industrial-1/post/how-to-connect-two-industrial-plcs-through-rs-485-213>

## 11.3 I2C

I2C communication **DOES NOT REQUIRE** a pull-up resistor for the M-Duino. The pull-up resistor is already implemented in the PCB.

I2C communication is configured by switches, so the switches must be configured in order to enable the I2C communication (See [section 9](#) for more information).

Industrial Shields does not provide any library to implement the I2C, as it can already be used with the standard library of Arduino, called Wire.

Click [here](#)<sup>8</sup> to see more about this communication.

## 11.4 SPI

The M-Duino pins used for the SPI bus are summarised in the table below. For SPI bus MISO, MOSI and CLOCK pins are common to all the connected devices to the M-Duino, conversely, each of the connected devices will have a single and dedicated SS pin.

| Function | M-Duino connection                        | Mega board pin            |
|----------|---|---------------------------|
| MISO     | 50 S0                                     | 50                        |
| MOSI     | 51 SI                                     | 51                        |
| CLOCK    | 52 SCK                                    | 52                        |
| Reset    | Reset                                     | Reset                     |
| SS       | SCL/SDA/RX0/TX0/RX1/TX1/RX3/TX3/Pin2/Pin3 | 21/20/1/0/19/18/15/14/2/3 |

Check the switch configuration at [section 9](#) to enable SS pins.

Click [here](#)<sup>9</sup> to see more about this communication.

## 11.5 TTL

M-Duino has two TTL ports, RX0/TX0, RX1/TX1. TTL0 is accessed with the function Serial (pins 0 and 1 of the Arduino Mega). TTL1 is accessed with the function Serial1 (pins 18 and 19 of the Arduino Mega). See [section 9](#) for more information.

## 11.6 Ethernet

M-Duino Ethernet port controller is based on w5500 IC, which is the IC compatible with Arduino Ethernet2 Shield libraries. All Ethernet shield Arduino libraries are compatible with the M-Duino. In the M-Duino, W5500 IC communicates to the Mega board via SPI bus (SS Arduino Mega pin 10).

Click [here](#)<sup>10</sup> and [here](#)<sup>11</sup> to see more about this communication.

<sup>8</sup> <https://www.industrialshields.com/blog/arduino-industrial-1/post/i2c-bus-on-plc-arduino-for-industrial-automation-192>

<sup>9</sup> <https://www.industrialshields.com/blog/arduino-industrial-1/post/bus-spi-on-plc-arduino-from-industrial-shields-191>

<sup>10</sup> <https://www.industrialshields.com/blog/arduino-industrial-1/post/modbus-tcp-master-with-industrial-arduino-esp32-plcs-103>

<sup>11</sup> <https://www.industrialshields.com/blog/arduino-industrial-1/post/how-to-use-modbus-tcp-slave-library-with-a-plc-controller-arduino-105>

## 11.7 RTC

M-Duino RTC Module is based on the DS1307 Chip. This chip works with the I2C protocol communication, so it is required to have enabled the I2C protocol. This means 4 switches have to be configured in order to enable the RTC features.

RTC SCL & RTC SDA must be set to ON mode to enable the I2C wires to the RTC. If they are in OFF mode, the Arduino won't communicate with the RTC. Look at [section 11.3](#) for more information.

Using the boards of Industrial Shields, there is a library that simplifies the RTC implementation called RTC.

Click [here](#)<sup>12</sup> to see more about this feature.

## 11.8 uSD

The micro SD uses the SPI communication to interact with the Arduino Mega. The SPI protocol is always enabled, as there are no switches that configure it. However, there is a switch that must be placed to ON mode in order to communicate with the uSD:

SD: If this Switch is OFF, it enables the Chip Select of the microSD socket. If the switch is in ON mode the microSD can't be used. Check [section 9](#) for more information.

The uSD socket is found in the TOP part of the communication Shields, so in the frontal part of the PLC, it is required to open the plastic found in the frontal part and the socket is located under the supply of the Arduino.

Using the boards of Industrial Shields, there is a library that simplifies the uSD implementation called SD. It is the same as the Arduino library, with the only modification of using the pin 53 to select the Chip Select of the uSD chip.

Click [here](#)<sup>13</sup> to see more about this feature.

---

<sup>12</sup> <https://www.industrialshields.com/blog/arduino-industrial-1/post/rtc-test-on-m-duino-plus-version-51>

<sup>13</sup> <https://www.industrialshields.com/blog/arduino-industrial-1/post/basics-with-sd-card-in-an-industrial-plc-167>





**Verify that the CPU is not actively running a process before inserting the memory card.**

Inserting a memory card will cause the CPU to go to STOP mode, which could affect the operation of an online process or machine. Unexpected operation of a process or machine could result in death or injury to personnel and/or property damage. Before inserting a memory card, always ensure that the CPU is offline and in a safe state.

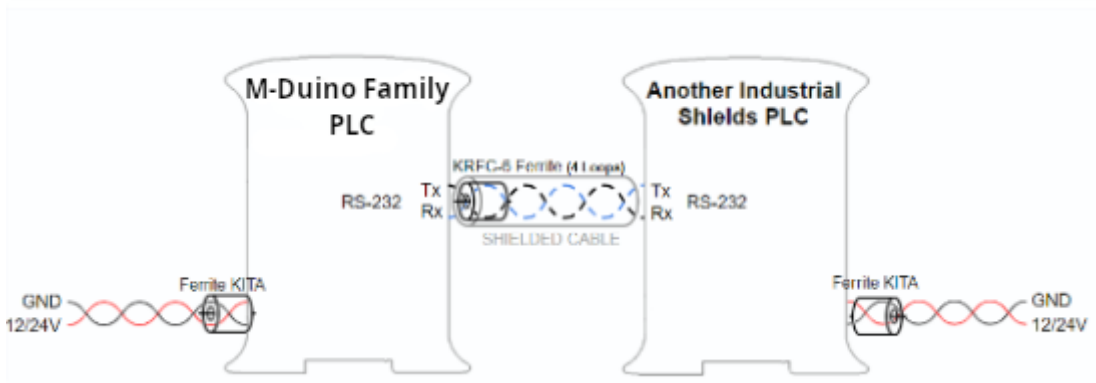


**Vérifiez que le processeur n'exécute pas activement un processus avant d'insérer la carte mémoire.**

Si vous insérez une carte mémoire, la CPU passe en mode STOP, ce qui peut affecter le fonctionnement d'un processus ou d'une machine en ligne. Le fonctionnement inattendu d'un processus ou d'une machine peut entraîner la mort ou des blessures corporelles et / ou des dégâts matériels. Avant d'insérer une carte mémoire, assurez-vous toujours que la CPU est hors ligne et en sécurité.

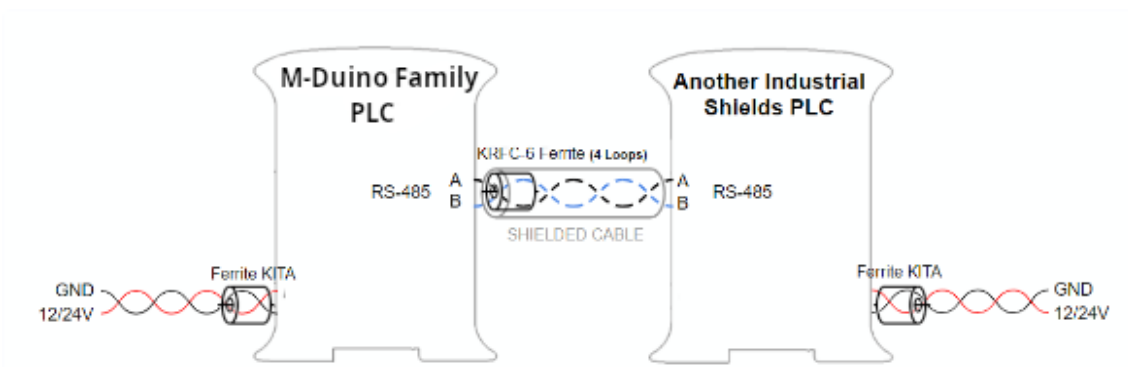
## 12 Instructions for interconnection between Industrial Shields controllers

### 12.1 RS-232 Communication:

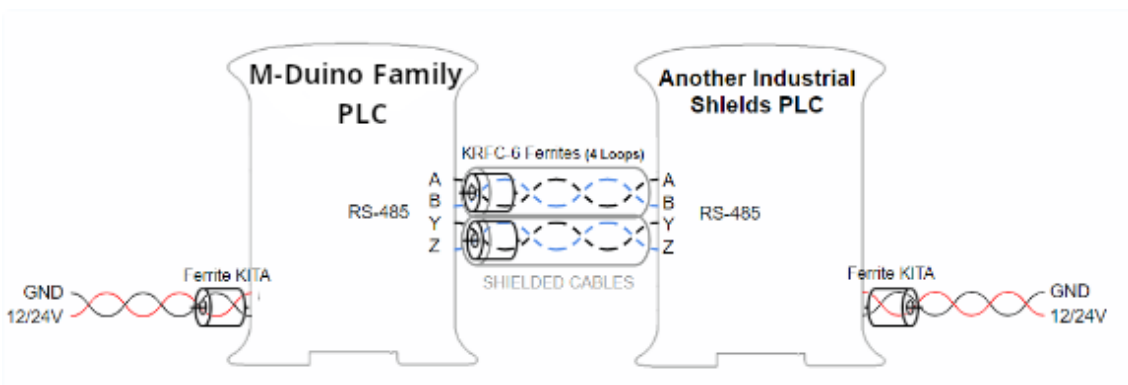


### 12.2 RS-485 Communication:

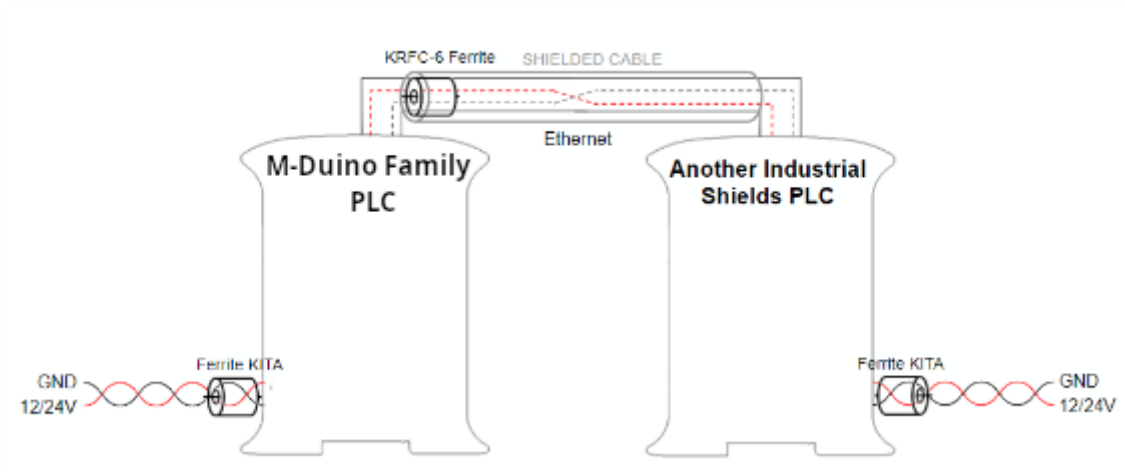
#### 12.2.1 Half Duplex



#### 12.2.2 Full Duplex



## 12.3 Ethernet



For an Ethernet communication between Industrial Shields equipment a **SFTP CAT-6 Ethernet crossover cable** must be used.

## 13 Digital inputs threshold detection

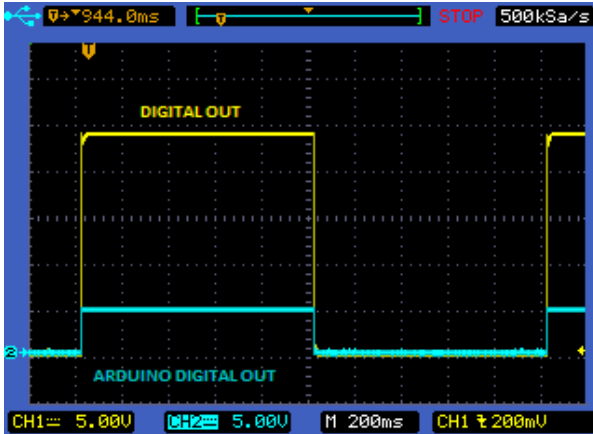
The M-Duino inputs have a minimum voltage threshold to reliably detect the signal when used as digital input. The threshold value is different depending on the input type:

| Input type    | Threshold voltage (V) |
|---------------|-----------------------|
| Digital input | 4                     |
| Analog input  | 5.1                   |

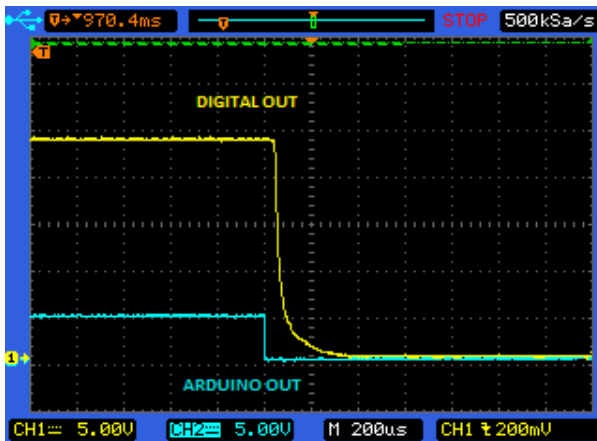
## 14 I/O technical details:

A comparison between the waveforms of the I/Os from the M-Duino PLC and the Arduino Mega is done in this section.

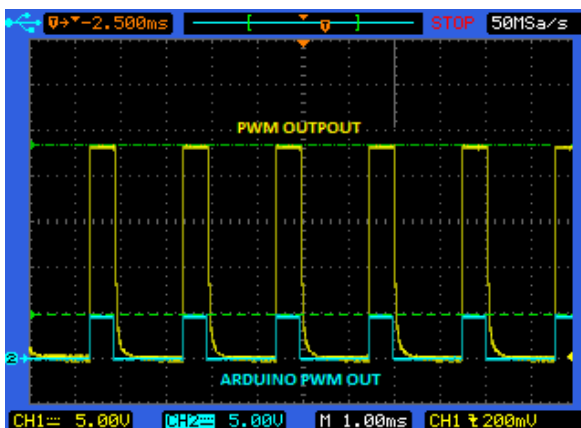
Digital Output Waveform:



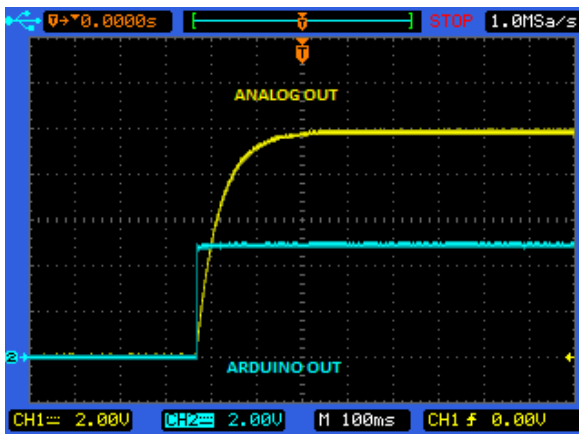
Digital Output Turn-off:



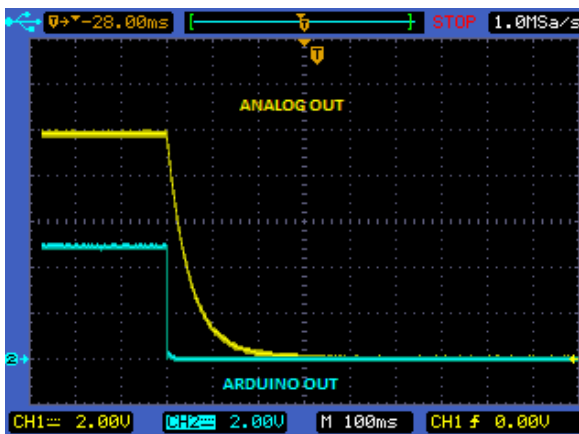
PWM Waveform:



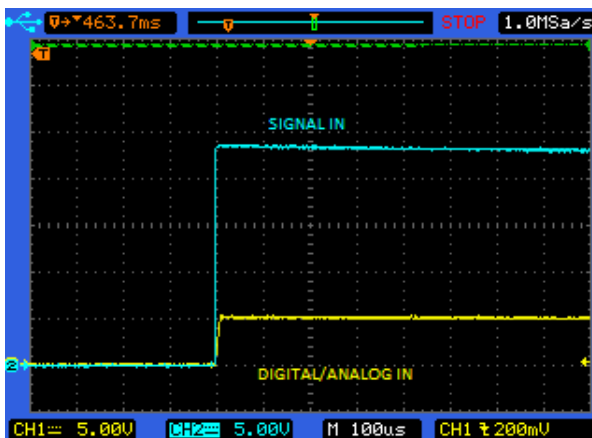
Analog Out Turn-On:



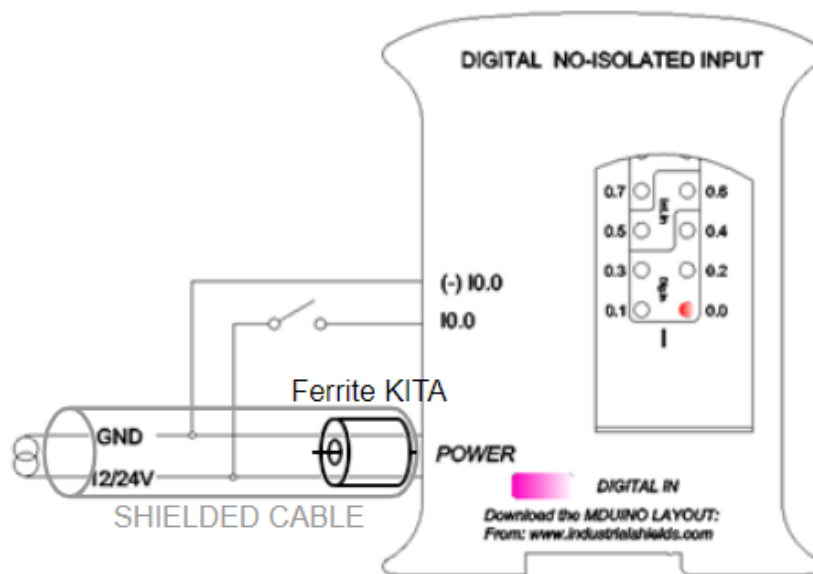
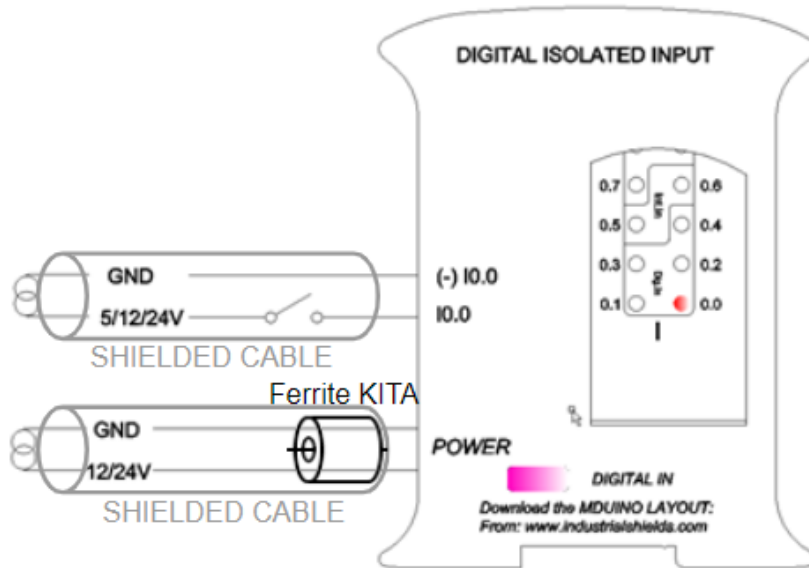
Analog Out Turn-Off:

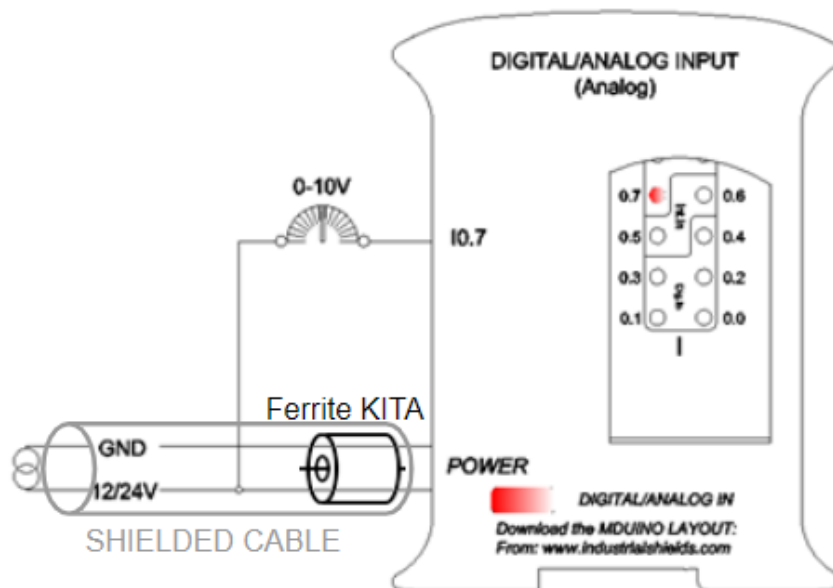
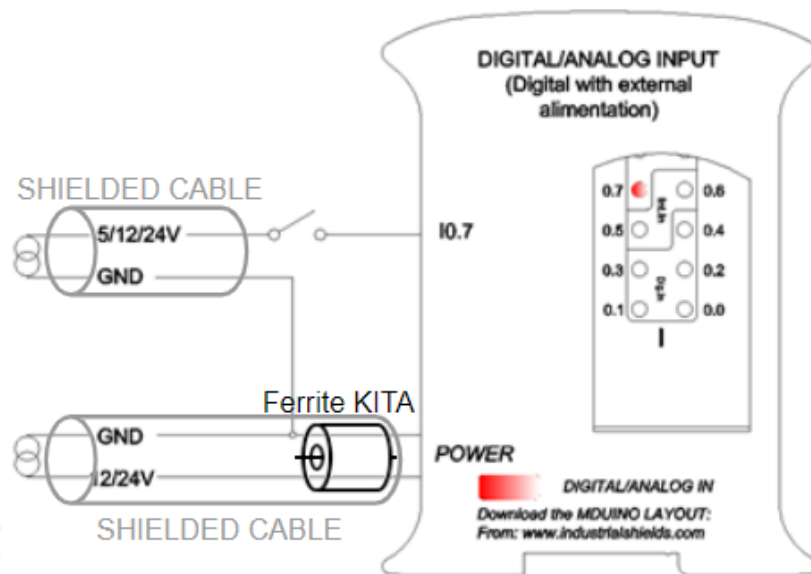


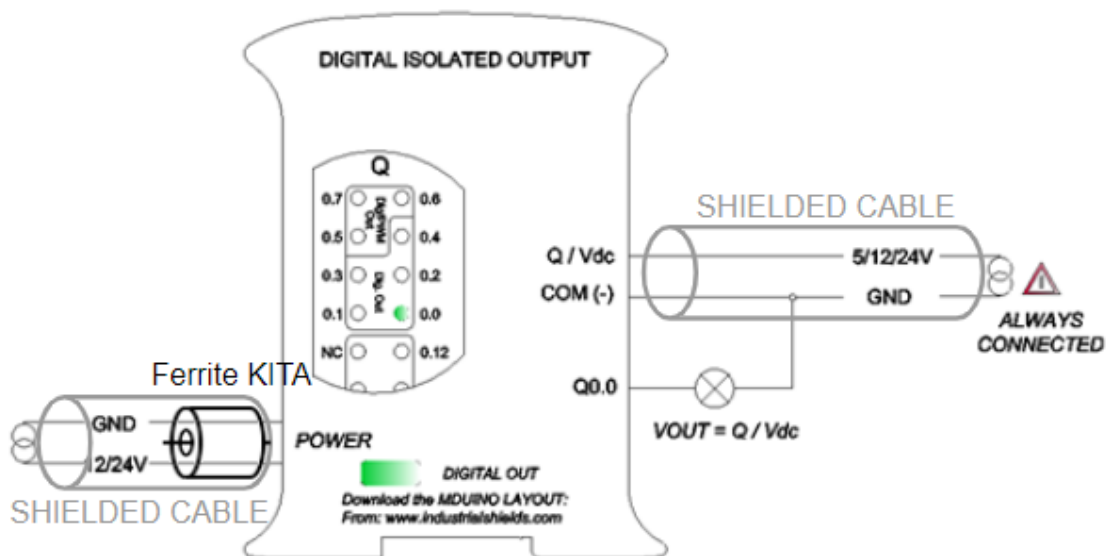
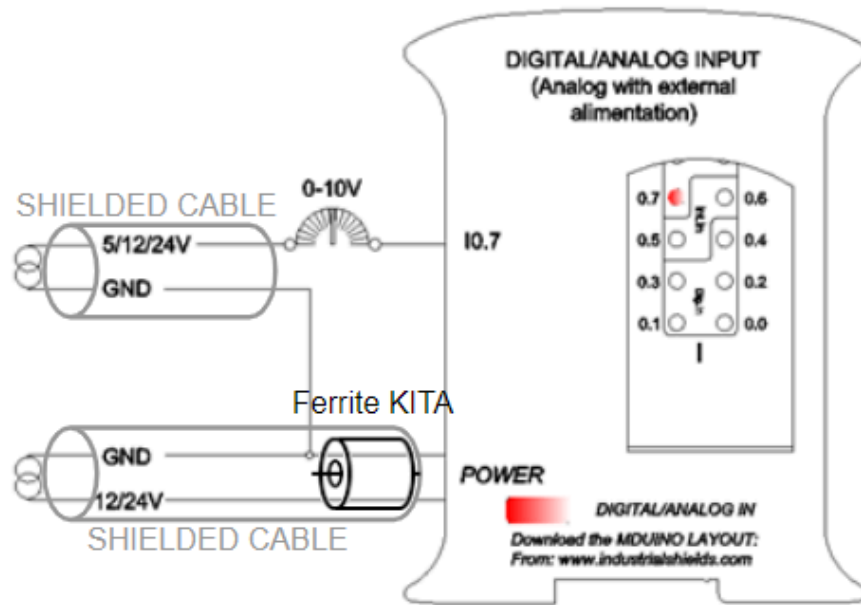
Analog /Digital input Turn-on:



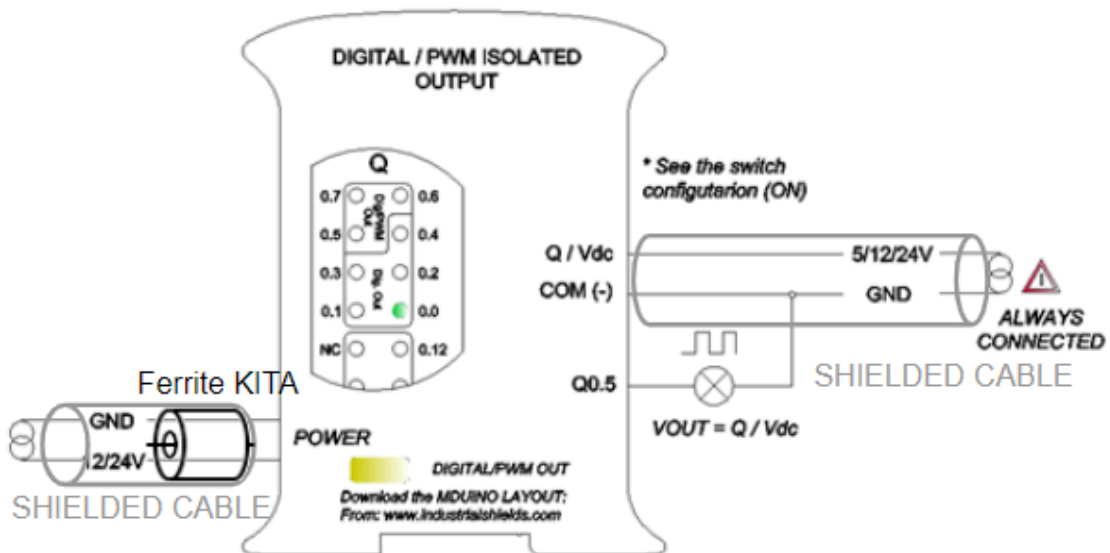
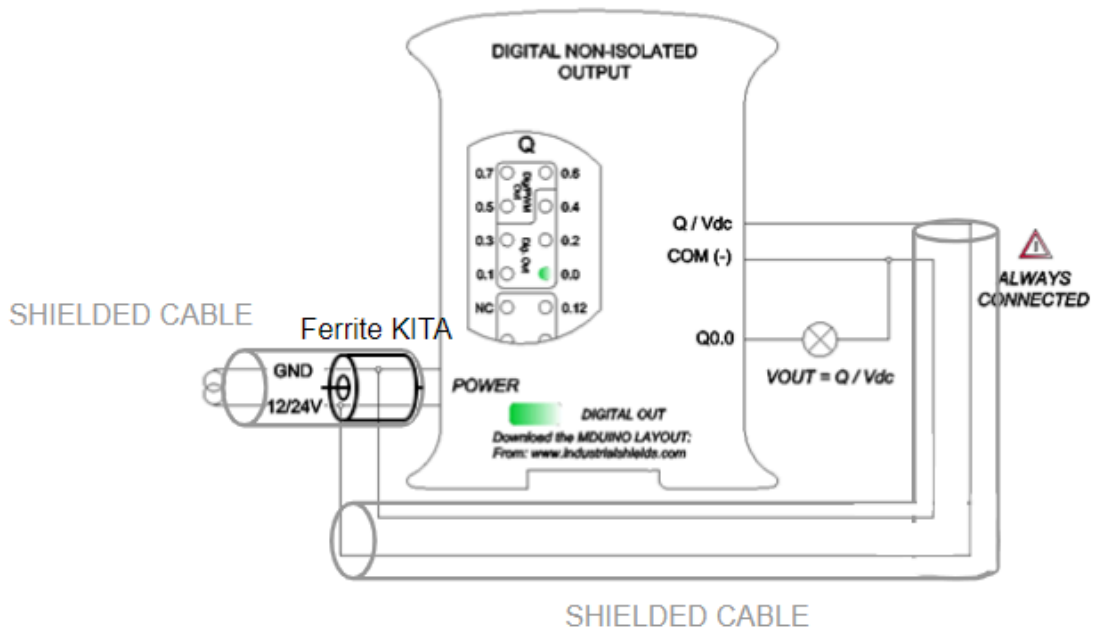
## 15 Typical Connections

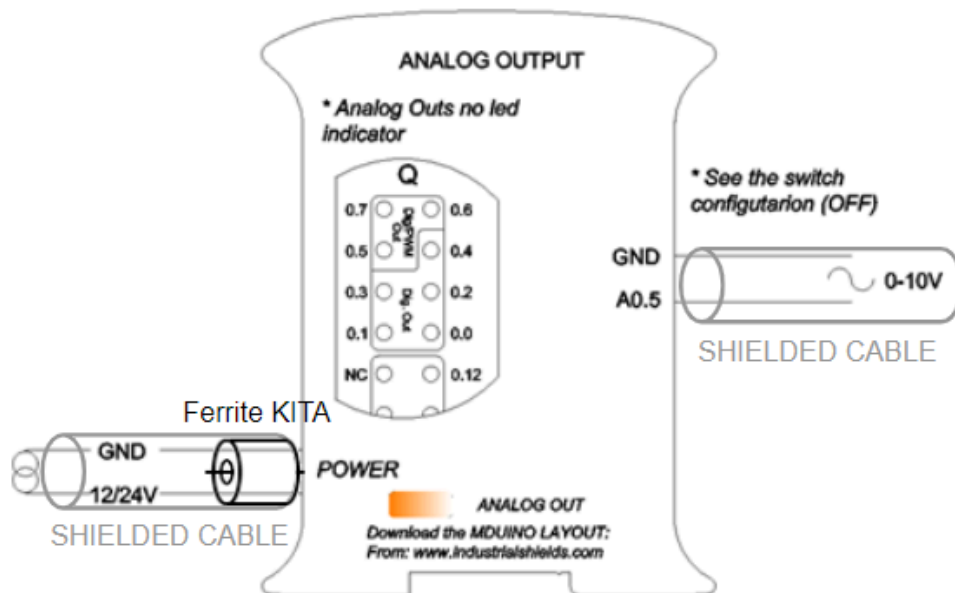
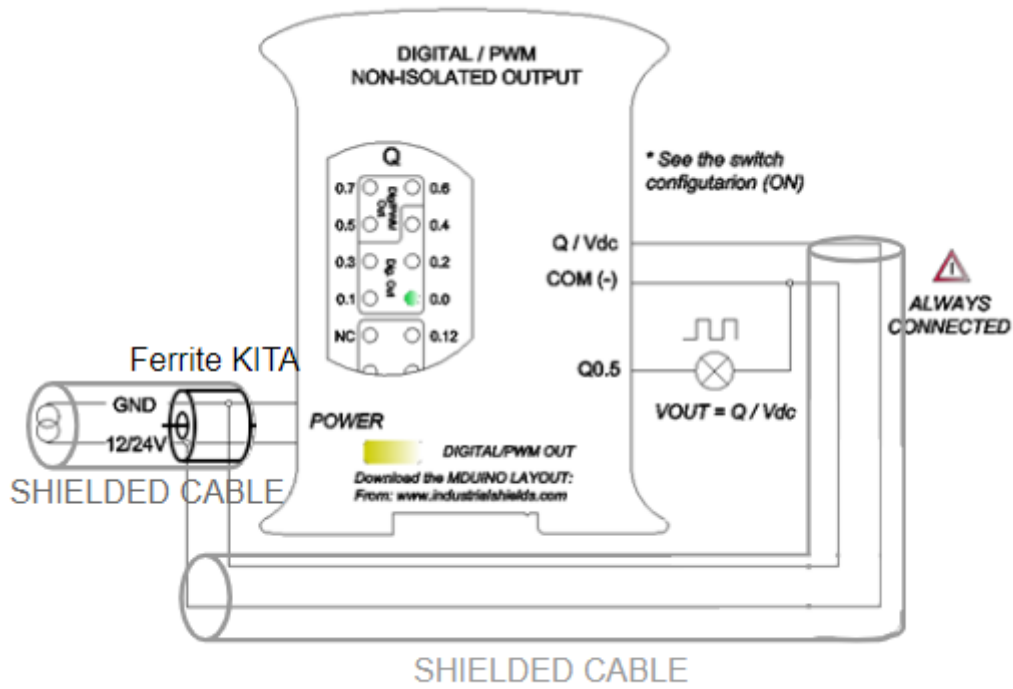












## 16 Connector details

The connector inside the PLCs that mounts on the PCB is [MC 0,5/10-G-2,5 - 1881529](#) connector from Phoenix contact.

In the PLC we can find other connectors too, and these are the references for them:

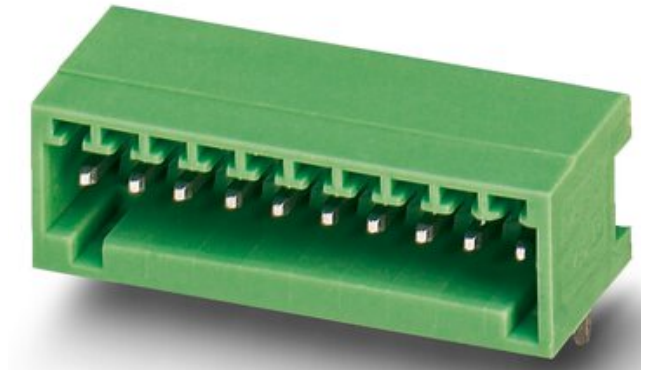
MC 0,5/ 4-G-2,5 - 1881464

MC 0,5/ 6-G-2,5 - 1881480

MC 0,5/ 9-G-2,5 - 1881516

Connection details (10 pins):

|                          |                           |
|--------------------------|---------------------------|
| <b>Article reference</b> | MC 0,5/10-G-2,5 - 1881529 |
| <b>Height</b>            | 8.1 mm                    |
| <b>Pitch</b>             | 2.5 mm                    |
| <b>Dimension</b>         | 22.5 mm                   |
| <b>Pin dimensions</b>    | 0.8 x 0.8 mm              |
| <b>Pin spacing</b>       | 2.5 mm                    |



For I/O and power supply there is a [FK-MC 0,5/10-ST-2,5 - 1881406](#) connector from Phoenix contact.

In the PLC we can find other connectors too, and these are the references for them:

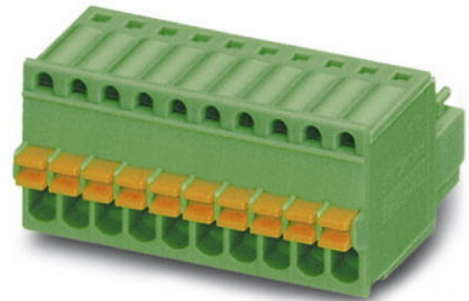
FK-MC 0,5/ 4-ST-2,5 - 1881341

FK-MC 0,5/ 6-ST-2,5 - 1881367

FK-MC 0,5/ 9-ST-2,5 - 1881396

Connection details (10 pins):

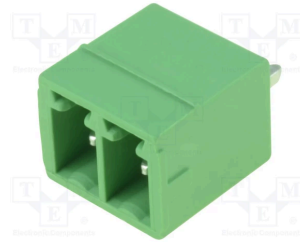
| Article reference                     | FK-MC 0,5/10-ST-2,5  |
|---------------------------------------|----------------------|
| <b>Rigid conduit section min.</b>     | 0,14 mm <sup>2</sup> |
| <b>Rigid conduit section max.</b>     | 0,5 mm <sup>2</sup>  |
| <b>Flexible conduit section min.</b>  | 0,14 mm <sup>2</sup> |
| <b>Flexible conduit section max.</b>  | 0,5 mm <sup>2</sup>  |
| <b>Conduit section AWG/kcmil min.</b> | 26                   |
| <b>Conduit section AWG/kcmil max.</b> | 20                   |



We can also find the relay connectors.

[MCV 1,5/ 2-G-3,81 1803426](#) is the female connector, and [MC 1,5/ 2-ST-3,81, GTIN UPC](#) is the male one. Both are from Phoenix Contact.

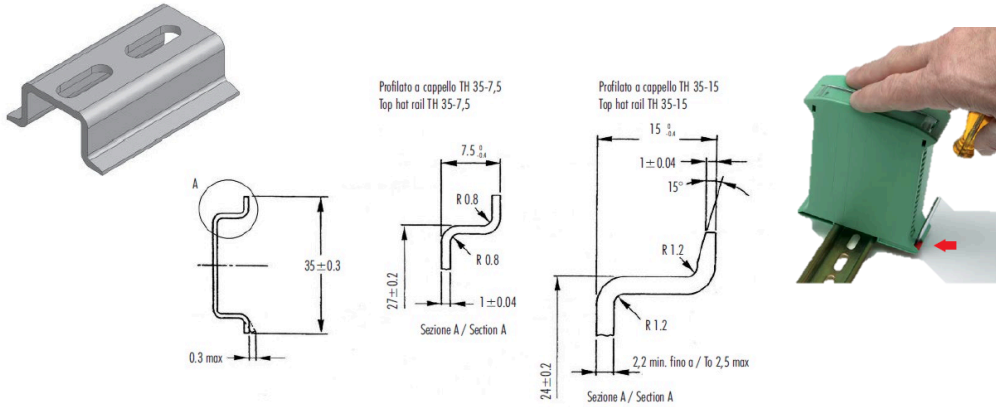
|                          |                           |
|--------------------------|---------------------------|
| <b>Article reference</b> | MCV 1,5/ 2-G-3,81 1803426 |
| <b>Height</b>            | 12.6 mm                   |
| <b>Pitch</b>             | 3.81 mm                   |
| <b>Dimension a</b>       | 3.81 mm                   |
| <b>Pin dimensions</b>    | 0.8 x 0.8 mm              |



|                          |                             |
|--------------------------|-----------------------------|
| <b>Article reference</b> | MC 1,5/ 2-ST-3,81 - 1803578 |
| <b>Height</b>            | 11.1 mm                     |
| <b>Pitch</b>             | 3.81 mm                     |
| <b>Dimension a</b>       | 3.81 mm                     |



## 17 DIN Rail mounting



| CARATTERISTICHE                  | METODO                                 | UNITA' DI MISURA | BLENDE PC/ABS     |
|----------------------------------|--|------------------|-------------------|
| <b>Meccaniche</b>                | Resistenza a trazione allo staccamento | ASTM D638        | MPa               |
|                                  | Resistenza a trazione a rottura        | ASTM D638        | MPa               |
|                                  | Allungamento a rottura                 | ASTM D638        | %                 |
|                                  | Modulo in flessione                    | ASTM D790        | MPa               |
| <b>Termiche</b>                  | Prova Load con intaglio                | ISO 180/14       | KJ/m <sup>2</sup> |
|                                  | Temp. di rammolimento Visc. metodo B   | ASTM D1525       | °C                |
|                                  | Temperatura Kierito 1.81 MPa           | ASTM D648        | °C                |
| <b>Fisiche</b>                   | Peso specifico                         | ASTM D792        | g/cm <sup>3</sup> |
|                                  | Dist. nello stampo                     | ASTM D955        | %                 |
|                                  | Melt Flow Index 240°C - 98N            | ASTM D1238       | g/10'             |
| <b>Comportamento alla fiamma</b> | Autoestinguenza (mm di spessore)       | IE94             | V-0 (0.8)         |
|                                  | Filo Incandescente 3.2 mm              | IE695.2.1        | °C                |

Italtronic si riserva il diritto di modificare il materiale con cui realizza i propri prodotti senza obbligo di preavviso.

| FEATURES               | TEST METHOD                           | UNITS      | BLENDE PC/ABS     |
|------------------------|---------------------------------------|------------|-------------------|
| <b>Mechanical test</b> | Resistance to tensile stress at yield | ASTM D638  | MPa               |
|                        | Tensile strength                      | ASTM D638  | MPa               |
|                        | Ultimate elongation                   | ASTM D638  | %                 |
|                        | Flexing modulus                       | ASTM D790  | MPa               |
| <b>Thermal test</b>    | Load test notched                     | ISO 180/14 | KJ/m <sup>2</sup> |
|                        | Visc softening temperature method B   | ASTM D1525 | °C                |
|                        | Rolling temperature 1.81 MPa          | ASTM D648  | °C                |
| <b>Physical test</b>   | Specific gravity                      | ASTM D792  | g/cm <sup>3</sup> |
|                        | Mold shrinkage                        | ASTM D955  | %                 |
|                        | Melt Flow Index 240°C - 98N           | ASTM D1238 | g/10'             |
| <b>Flame test</b>      | Self extinguisher (thickness in mm)   | IE94       | V-0 (0.8)         |
|                        | Incandescent thread 3.2 mm            | IE695.2.1  | °C                |

Italtronic can operate any change of the materials without being obliged to forewarn.

**For optimal operation of the product, it must be located in an electrical cabinet with IK08 mechanical protection. The minimum IP protection degree required is IP56.**

## 18 Installation and Maintenance

### Notes for installation:

- The installation position should be free from the following: dust or oil smoke, conductive dust, corrosive or flammable gas, high temperature, condensation, and rain.
- Besides, vibration and impact also affect the PLC normal operation and shorten its lifespan; electric shock, fire or misact also damages the product. During drilling or wiring, prevent the metal particles or wire segments from falling into the PLC casing, which may cause fire, fault or misact.
- After the PLC installation, clean the ventilation duct to prevent blocking, which may cause bad ventilation, or even fire, faults or misact.
- Do not online connect, plug or unplug cables, which are apt to cause electric shock or damage the circuit. Installation and wire connection must be firm and reliable. Poor connection could cause misact.
- Use shielded twisted pair for the I/O of high frequency signal and analog signal to improve system IMS.

The installation environment should be free from dust, oil smoke, conductive particles, corrosive or flammable gases, high temperature, condensation, and rain.

Besides, vibration and impact also affect the PLC normal operation and shorten its lifespan. It is recommended to install the PLC, together with the matching switches and contactors, in a dedicated electric cabinet and keep the cabinet ventilated. If the location has high ambient temperature or heat generating equipment nearby, install forced convection devices on top or sides of the cabinet to avoid over-temperature. During drilling or wiring, prevent the metal particles or wire segments from falling into the PLC casing, which may cause fire, fault or misact. After the PLC installation, clean the ventilation duct to prevent blocking, which may cause bad ventilation, or even fire, faults or misact.

The only way to disconnect the equipment from the electrical network is by removing the connectors that feed the equipment. Once installed in the electrical cabinet it is very important to ensure the power connectors for proper operation.

### Separate the M-Duino Family PLC from heat, high voltage and electrical noise:

Always separate the devices that generate high voltage and high electrical noise from the M-Duino. When configuring the layout of the M-Duino inside your panel, consider the heat-generating devices and locate the electronic-type devices in the cooler areas of your cabinet. Reducing the exposure to a high-temperature environment will extend the operating life of any electronic device. Consider also the routing of the wiring for the devices in the electric cabinet. Avoid placing low-voltage signal wires and communications cables in the same tray with AC power wiring and high energy, rapidly-switched DC wiring.

Provide adequate clearance for cooling and wiring M-Duino. Designed for natural convection cooling. For proper cooling, you must provide a clearance of at least 25cm above and below the devices. Also, allow at least 25cm of depth between the front of the modules and the inside of the enclosure.

### Notes for maintenance:

A well-planned and executed maintenance program is essential to the satisfactory operation of solid-state electrical equipment. The kind and frequency of the maintenance operation will vary with the kind and complexity of the equipment as well as with the nature of the operating conditions. Maintenance recommendations of the manufacturer or appropriate product standards should be followed.

The following factors should be considered when formulating a maintenance program:

- Maintenance must be performed by qualified personnel familiar with the construction, operation, and hazards involved with the control.
- Maintenance should be performed with the control out of operation and disconnected from all sources of power.
- Care should be taken when servicing electrostatic sensitive components. The manufacturer's recommendations for these components should be followed.
- Ventilation passages should be kept open. If the equipment depends upon auxiliary cooling, e.g., air, water, or oil, periodic inspection (with filter replacement when necessary) should be made of these systems.
- The means employed for grounding or insulating the equipment from ground should be checked to assure its integrity.
- Accumulations of dust and dirt on all parts, including on semiconductor heat sinks, should be removed according to the manufacturer's instructions, if provided; otherwise, the manufacturer should be consulted. Care must be taken to avoid damaging any delicate components and to avoid displacing dust, dirt, or debris in a way that permits it to enter or settle into parts of the control equipment.
- Enclosures should be inspected for evidence of deterioration. Accumulated dust and dirt should be removed from the top of the enclosures before opening doors or removing covers.
- Certain hazardous materials removed as part of maintenance or repair procedure (e.g., polychlorinated biphenyls (PCBs) found in some liquidfilled capacitors) must be disposed of as described in Federal regulations.

### Safety rules for maintenance personnel

Consider the following steps to follow. A false manoeuvre could be the cause of an accident or material damage.

Do not disassemble or modify the modules. This could lead to breakdowns or malfunctions and could lead to injuries or fire.

- All types of radio communication devices, including mobile phones and personal handy-phone systems (PHS), must be kept more than **25cm** away from the PLC in all directions. Failure to observe this precaution exposes malfunctions caused by excess of temperature.
- Disconnect the external power supply of the system (on all phases) before connecting or disconnecting a module. Failure to observe this precaution may cause faults or malfunctions of the module.
- Tighten the screws of the terminal ports and the screws of the connectors within the prescribed tightening torque. Insufficient tightening can lead to loose parts or wires and cause malfunctions. Excessive tightening can damage the screws and / or the module, with the risk of falling, short circuits and malfunctions.



- Before handling a module, dispose of the electrostatic charge accumulated by the human body by touching a suitable conductive object. Failure to observe this precaution may cause faults or malfunctions of the module.

**Repair note:**

If the equipment is suitable to be repaired, it must be verified that the equipment remains in a safe state after repair.

## 19 Revision Table

| Revision Number | Date       | Changes   |
|-----------------|------------|---|
| 0               | 30/08/2019 | First implementation                                  |
| 1               | 21/02/2020 | ETL Listing Mark-Direct                               |
| 2               | 12/01/2022 | Updated CE Normative (2004/108/EC)                    |
| 3               | 25/07/2022 | M-Duino Family User Manual Implementation             |
| 4               | 11/03/2024 | Added section 13 "Digital inputs threshold detection" |
| 5               | 06/05/2024 | Serigraphy update on Section 5.1                      |
| 6               | 26/09/2024 | Added section 3.4 ("Isolation Precautions")           |
| 7               | 12/03/2024 | Removed wrong IORef pin reference                     |

About Industrial Shields:

Direction: Camí del Grau, nº25

Zip/Postal Code: 08272

City: Sant Fruitós de Bages (Barcelona)

Country: Spain

Telephone: (+34) 938 760 191 / (+34) 635 693 611

Mail: [industrialshields@industrialshields.com](mailto:industrialshields@industrialshields.com)



INDUSTRIAL SHIELDS

## M-DUINO WiFi/BLE PLC ARDUINO FAMILY

M-DUINO    WiFi/BLE    PLC  
ARDUINO FAMILY



# PLC M-Duino WiFi/BLE Family User Guide

**Revised December 2024**

## Preface

This User Guide has been implemented by Boot & Work, S.L. working under the name Industrial Shields.

### Purpose of the manual

The information contained in this manual can be used as a reference to operating, to functions, and to the technical data of the signal modules, power supply modules and interface modules.

### Intended Audience

This User Guide is intended for the following audience:

- Persons in charge of introducing automation devices.
- Persons who design automation systems.
- Persons who install or connect automation devices.
- Persons who manage working automation installation.



### Warnings:

- Unused pins should not be connected. Ignoring the directive may damage the controller.
- Improper use of this product may severely damage the controller.
- Refer to the controller's User Guide regarding wiring considerations.
- Before using this product, it is the responsibility of the user to read the product's User Guide and all accompanying documentation.
- Maintenance must be performed by qualified personnel familiarised with the construction, operation, and hazards involved with the control.
- Maintenance should be performed with the control out of operation and disconnected from all sources of power.
- Care should be taken when servicing electrostatic sensitive components. The manufacturer's recommendations for these components should be followed.

- The M-Duino WiFi/BLE Family PLCs are Open Type Controllers. It is required that you install the M-Duino WiFi/BLE PLC in a housing, cabinet, or electric control room. Entry to the housing, cabinet, or electric control room should be limited to authorised personnel. Failure to follow these installation requirements could result in severe personal injury and/or property damage. Always follow these requirements when installing M-Duino family PLCs.
- In case of installation or maintenance of the M-Duino please follow the instructions marked in the Installation and Maintenance section.
- Do not disconnect equipment when a flammable or combustible atmosphere is present. Disconnection of equipment when a flammable or combustible atmosphere is present may cause a fire or explosion which could result in death, serious injury and/or property damage.



### Avertissements:

- Les broches non utilisées ne doivent pas être connectées. Ignorer la directive peut endommager le contrôleur.
- Une utilisation incorrecte de ce produit peut endommager gravement le contrôleur.
- Reportez-vous au Guide de l'utilisateur du contrôleur pour les considérations de câblage.
- Avant d'utiliser ce produit, il incombe à l'utilisateur de lire le Guide de l'utilisateur du produit et la documentation qui l'accompagne.
- La maintenance doit être effectuée par personnel qualifié familiarisé avec la fabrication, le fonctionnement et les dangers liés au contrôleur.
- La maintenance doit être effectuée avec l'équipement hors service et déconnectée de toutes les sources d'alimentation.
- Faites attention lors de l'entretien des composants sensibles à l'électricité statique. Les recommandations du fabricant pour ces composants doivent être suivies.
- Les automates de la famille M-Duino sont des contrôleurs de type ouvert. Il est nécessaire d'installer l'automate M-Duino dans un boîtier, une armoire ou une salle de contrôle électrique. L'accès au boîtier, à l'armoire ou à la salle de commande électrique doit être limité au personnel autorisé. Le non-respect de ces exigences d'installation peut entraîner des blessures graves et/ou des dommages matériels importants. Respectez toujours ces exigences lors de l'installation des automates de la famille M-Duino.
- En cas d'installation ou de maintenance du M-Duino, veuillez suivre les instructions indiquées dans la section Installation et Maintenance.
- Ne débranchez pas l'équipement en présence d'une atmosphère inflammable ou combustible. La déconnexion de l'équipement en présence d'une atmosphère inflammable ou combustible peut provoquer un incendie ou une explosion pouvant entraîner la mort, des blessures graves et/ou des dommages matériels.

## Application Considerations and Warranty

### Read and understand this manual

Please read and understand this manual before using the product. Please consult your comments or questions to Industrial Shields before using the product.

### Application Consideration

THE PRODUCTS CONTAINED IN THIS DOCUMENT ARE NOT SAFETY RATED. THEY SHOULD NOT BE RELIED UPON AS A SAFETY COMPONENT OR PROTECTIVE DEVICE FOR ENSURING SAFETY OF PERSONS, AS THEY ARE NOT RATED OR DESIGNED FOR SUCH PURPOSES.

Please know and observe all prohibitions of use applicable to the products.

FOR AN APPLICATION INVOLVING SERIOUS RISK TO LIFE OR PROPERTY WITHOUT ENSURING THAT THE SYSTEM AS A WHOLE HAS BEEN DESIGNED TO ADDRESS THE RISKS, NEVER USE THE INDUSTRIAL SHIELDS PRODUCTS.

NEVER USE THE INDUSTRIAL SHIELDS PRODUCTS BEFORE THEY ARE PROPERLY RATED AND INSTALLED FOR THE INTENDED USE WITHIN THE OVERALL EQUIPMENT OR SYSTEM.

Industrial Shields shall not be responsible for conformity with any codes, regulations or standards that apply to the combination of products in the customer's application or use of the product.

The following are some examples of applications for which particular attention must be given. This is not intended to be an exhaustive list of all possible uses of the products, nor is it intended to imply that the uses may be suitable for the products:

- Systems, machines, and equipment that could present a risk to life or property.
- Nuclear energy control systems, combustion systems, railroad systems, aviation systems, medical equipment, amusement machines, vehicles, safety equipment, and installation subject to separate industry or government regulations.
- Outdoor use, uses involving potential chemical contamination or electrical interference, or conditions or uses not described in this document.

At the customer's request, INDUSTRIAL SHIELDS will provide applicable third party certification documents identifying ratings and limitations of use that apply to the products. This information by itself is not sufficient for a complete determination of the suitability of the products in combination with the system, machine, end product, or other application or use.



## Intended use of Industrial Shields products

### Consider the following:

Industrial Shields products should only be used for the cases of application foreseen in the catalogue and the associated technical documentation. If third-party products and components are used, they must have been recommended or approved by Industrial Shields.

The correct and safe operation of the products requires that your transport, storage, installation, assembly, operation and maintenance have been carried out in a correct It must respect the permissible ambient conditions. You should also follow the indications and warnings that appear in the associated documentation.

The product / system dealt with in this documentation should only be handled or manipulated by qualified personnel for the task entrusted and observing what is indicated in the documentation corresponding to it, particularly the safety instructions and warnings included in it. Due to their training and experience, qualified personnel are in a position to recognize risks resulting from the handling or manipulation of such products / systems and to avoid possible hazards.

## Disclaimers

### Weights and Dimensions

Dimensions and weights are nominal and they are not used for manufacturing purposes, even when tolerances are shown.

### Performance Data

The performance data given in this manual is provided as a guide for the user in determining suitability and does not constitute a warranty. It may represent the result of INDUSTRIAL SHIELDS's test conditions, and the users most correlate it to actual application requirements. Actual performance is subject to the INDUSTRIAL SHIELDS Warranty and Limitations of Liability.

## Errors and Omissions

The information in this document has been carefully checked and is believed to be accurate; however, no responsibility is assumed for clerical, typographical, or proofreading errors, or omissions.

## Residual risks

The control and drive components of an Industrial Shields PLC are approved for industrial and commercial use in industrial line supplies. Their use in public line supplies requires a different configuration and/or additional measures. These components may only be operated in closed housings or in higher-level control cabinets with protective covers that are closed, and when all of the protective devices are used. These components may only be handled by qualified and trained technical personnel who are knowledgeable and observe all of the safety information and instructions on the components and in the associated technical user documentation. When carrying out a risk assessment of a machine in accordance with the EU Machinery Directive, the machine manufacturer must consider the following residual risks associated with the control and drive components of a PDS.

1. Unintentional movements of driven machine components during commissioning, operation, maintenance, and repairs caused by, for example: – Hardware defects and/or software errors in the sensors, controllers, actuators, and connection technology – Response times of the controller and drive – Operating and/or ambient conditions not within the scope of the specification – Condensation / conductive contamination – Parameterization, programming, cabling, and installation errors – Use of radio devices / cellular phones in the immediate vicinity of the controller – External influences / damage.
2. Exceptional temperatures as well as emissions of noise, particles, or gas caused by, for example: – Component malfunctions – Software errors – Operating and/or ambient conditions not within the scope of the specification – External influences / damage.
3. Hazardous shock voltages caused by, for example: – Component malfunctions – Influence of electrostatic charging – Induction of voltages in moving motors – Operating and/or ambient conditions not within the scope of the specification – Condensation / conductive contamination – External influences / damage
4. Electrical, magnetic and electromagnetic fields generated in operation that can pose a risk to people with a pacemaker, implants or metal replacement joints, etc. if they are too close.
5. Release of environmental pollutants or emissions as a result of improper operation of the system and/or failure to dispose of components safely and correctly.

## Warranty and Limitations of Liability

### Warranty

Industrial Shields's exclusive warranty is that the products are free from defects in materials and workmanship for a period of one year (or other period if specified) from date of sale by Industrial Shields.

INDUSTRIAL SHIELDS MAKES NO REPRESENTATION OR WARRANTY, EXPRESSED OR IMPLIED, REGARDING MERCHANTABILITY, NON-INFRINGEMENT, OR FITNESS FOR PARTICULAR PURPOSE OF THE PRODUCTS. ANY BUYER OR USER ACKNOWLEDGES THAT THE BUYER OR USER ALONE HAS DETERMINED THAT THE PRODUCTS WILL SUITABLY MEET THE REQUIREMENTS OF THEIR INTENDED USE. INDUSTRIAL SHIELDS DISCLAIMS ALL OTHER WARRANTIES, EXPRESS OR IMPLIED

### Limitations of Liability

INDUSTRIAL SHIELDS SHALL NOT BE RESPONSIBLE FOR SPECIAL, INDIRECT, OR CONSEQUENTIAL DAMAGES, LOSS OF PROFITS OR COMERCIAL LOSS IN ANY WAY CONNECTED WITH THE PRODUCTS, WHETHER SUCH CLAIM IS BASED ON CONTRACT, WARRANTY, NEGLIGENCE, OR STRICT LIABILITY.

IN NO EVENT SHALL INDUSTRIAL SHIELDS BE RESPONSIBLE FOR WARRANTY, REPAIR OR OTHER CLAIMS REGARDING THE PRODUCTS UNLESS INDUSTRIAL SHIELDS'S ANALYSIS CONFIRMS THAT THE PRODUCTS WERE PROPERLY HANDLED, STORED, INSTALLED, AND MAINTAINED AND NOT SUBJECT TO CONTAMINATION, ABUSE, MISUSE, OR INAPPROPRIATE MODIFICATION OR REPAIR.

## ETL Listing Mark-Direct Imprint information

### Recognized Component ETL Classified



#### Conforms to:

UL Std. 61010-1  
UL Std. 61010-2-201  
Cert. To CSA Std. C22.2 No. 61010-1  
Cert. To CSA Std. C22.2 No.61010-2-201

#### Place for control

number:  
5016476

# Table of Contents

|   |           |
|---|-----------|
| <b>1 General Description M-DUINO WiFi/BLE product</b>         | <b>10</b> |
| 1.1 Zone - Nomenclature                                       | 10        |
| 1.2 Reference table   | 11        |
| 1.3 Zones Table   | 12        |
| 1.4 A Zone Features   | 13        |
| 1.5 Mechanical dimensions and weights                         | 13        |
| 1.6 General Features  | 14        |
| 1.7 Power consumption of the M-Duino WiFi/BLE Family PLCs     | 16        |
| <b>2 Technical Specifications</b>                             | <b>17</b> |
| 2.1 General Specifications                                    | 17        |
| 2.2 Performance Specification:                                | 17        |
| 2.3 Symbology   | 18        |
| <b>3 Precautions</b>  | <b>19</b> |
| 3.1 Arduino Board   | 19        |
| 3.2 Intended Audience   | 19        |
| 3.3 General Precautions                                       | 19        |
| 3.4 Isolation Precautions                                     | 19        |
| <b>4 M-Duino Pinout</b>                                       | <b>20</b> |
| <b>5 Serigraphy</b>   | <b>21</b> |
| 5.1 A Zone connection (Communications)                        | 21        |
| 5.2 Analog/Digital Zone connection (I/Os)                     | 23        |
| 5.3 Relay Zone connection (I/Os)                              | 24        |
| 5.4 Interrupt equivalence table                               | 25        |
| <b>6 Software interface</b>                                   | <b>26</b> |
| <b>7 How to connect PLC Arduino to PC</b>                     | <b>29</b> |
| <b>8 How to connect PLC to power supply</b>                   | <b>30</b> |
| <b>9 Switch configuration</b>                                 | <b>31</b> |
| 9.1 A Zone: Communications                                    | 31        |
| 9.2 Digital/Analogic Shield Switches                          | 33        |
| 9.3 Relay Shield Switches                                     | 34        |
| <b>10 M-Duino Arduino I/Os 5V pins</b>                        | <b>35</b> |
| 10.1 I2C pins – SDA/SCL                                       | 35        |
| 10.2 Serial 0 – RX0/TX0                                       | 36        |
| 10.3 SPI – MISO/MOSI/SCK                                      | 36        |
| 10.4 Pin 2/Pin 3  | 36        |
| <b>11 A Zone Features: Communications &amp; RTC &amp; uSD</b> | <b>37</b> |

|   |           |
|---|-----------|
| 11.1 RS-232   | 37        |
| 11.2 RS-485   | 37        |
| 11.3 I2C  | 38        |
| 11.4 SPI  | 38        |
| 11.5 TTL  | 38        |
| 11.6 Ethernet   | 39        |
| 11.7 RTC  | 39        |
| 11.8 uSD  | 39        |
| 11.9 WiFi & BLE   | 40        |
| 11.9.1 General Specifications:  | 40        |
| 11.9.2 WiFi & Bluetooth Module Configuration  | 41        |
| <b>12 Examples</b>  | <b>43</b> |
| 12.1 Communication system between M-Duino and WiFi module   | 43        |
| 12.2 How to connect your ESP based PLC to Wi-Fi   | 43        |
| 12.3 Interact with M-Duino WiFi/BLE PLC via Bluetooth   | 43        |
| To learn how to work with BLE from the ESP32 board, follow the instructions on this blog.<br>In it, a useful example of usage of the BLE feature is explained. In addition, communication<br>between the M-Duino board and the ESP32 is also covered in the blog. | 43        |
| <b>13 Instructions for interconnection between Industrial Shields controllers</b>   | <b>44</b> |
| 13.1 RS-232 Communication:  | 44        |
| 13.2 RS-485 Communication:  | 44        |
| 13.2.1 Half Duplex  | 44        |
| 13.2.2 Full Duplex  | 44        |
| 13.3 Ethernet   | 45        |
| <b>14 Digital inputs threshold detection</b>  | <b>45</b> |
| <b>15 I/O technical details</b>   | <b>46</b> |
| <b>16 Typical Connections</b>   | <b>48</b> |
| <b>17 Connector details</b>   | <b>53</b> |
| <b>18 DIN Rail mounting</b>   | <b>56</b> |
| <b>19 Installation and Maintenance</b>  | <b>57</b> |
| <b>20 Revision Table</b>  | <b>60</b> |



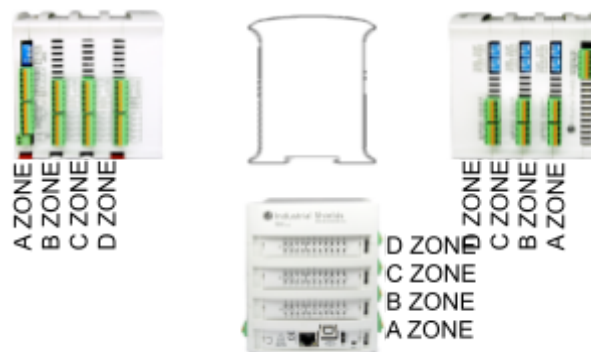
INDUSTRIAL SHIELDS

## 1 General Description M-DUINO WiFi/BLE product

### 1.1 Zone - Nomenclature

The nomenclature shown in this point will be used in the whole User Guide, so it is important to understand this nomenclature.

The nomenclature to differentiate the zones is based on the Alphabet, being A the shield from below and D the shield from above. Having a B and a C in the middle of them.:



- The inputs in the zone B are named I0.X, being X any number suitable in the Shield. Outputs are named as Q0.X and relays as R0.X
- The inputs in the zone C are named I1.X, being X any number suitable in the Shield. Outputs are named as Q1.X and relays as R1.X
- The inputs in the zone D are named I2.X, being X any number suitable in the Shield. Outputs are named as Q2.X and relays as R2.X

## 1.2 Reference table

| Reference Table  |              |
|--|--------------|
| Model  | Reference    |
| <b>PLC M-Duino General Family</b>  |              |
| M-Duino PLC Arduino Ethernet & WiFi & BLE 19R I/Os Analog / Digital Plus   | 007001000100 |
| M-Duino PLC Arduino Ethernet & WiFi & BLE 21 I/Os Analog / Digital Plus    | 007001000200 |
| M-Duino PLC Arduino Ethernet & WiFi & BLE 38AR I/Os Analog / Digital Plus  | 007001000700 |
| M-Duino PLC Arduino Ethernet & WiFi & BLE 38R I/Os Analog / Digital Plus   | 007001000300 |
| M-Duino PLC Arduino Ethernet & WiFi & BLE 42 I/Os Analog / Digital Plus    | 007001000400 |
| M-Duino PLC Arduino Ethernet & WiFi & BLE 50RRA I/Os Analog / Digital Plus | 007001000900 |
| M-Duino PLC Arduino Ethernet & WiFi & BLE 53ARR I/Os Analog / Digital Plus | 007001001000 |
| M-Duino PLC Arduino Ethernet & WiFi & BLE 54ARA I/Os Analog / Digital Plus | 007001001100 |
| M-Duino PLC Arduino Ethernet & WiFi & BLE 57AAR I/Os Analog / Digital Plus | 007001000800 |
| M-Duino PLC Arduino Ethernet & WiFi & BLE 57R I/Os Analog / Digital Plus   | 007001000500 |
| M-Duino PLC Arduino Ethernet & WiFi & BLE 58 I/Os Analog / Digital Plus    | 007001000600 |

To find the reference of your M-Duino WiFi/BLE PLC, check the arrow in the picture below. In the example, the reference is:



### 1.3 Zones Table

| Model                       | Zones Table |                  |                  |                  |
|-----------------------------|-------------|------------------|------------------|------------------|
|                             | Zone A      | Zone B           | Zone C           | Zone D           |
| M-Duino WiFi/BLE PLC 19R+   | ✓           | Relay            | -                | -                |
| M-Duino WiFi/BLE PLC 21+    | ✓           | Analog / Digital | -                | -                |
| M-Duino WiFi/BLE PLC 38AR+  | ✓           | Analog / Digital | Relay            | -                |
| M-Duino WiFi/BLE PLC 38R+   | ✓           | Relay            | Relay            | -                |
| M-Duino WiFi/BLE PLC 42+    | ✓           | Analog / Digital | Analog / Digital | -                |
| M-Duino WiFi/BLE PLC 50RRA+ | ✓           | Relay            | Relay            | Analog / Digital |
| M-Duino WiFi/BLE PLC 53ARR+ | ✓           | Analog / Digital | Relay            | Relay            |
| M-Duino WiFi/BLE PLC 54ARA+ | ✓           | Analog / Digital | Relay            | Analog / Digital |
| M-Duino WiFi/BLE PLC 57AAR+ | ✓           | Analog / Digital | Analog / Digital | Relay            |
| M-Duino WiFi/BLE PLC 57R+   | ✓           | Relay            | Relay            | Relay            |
| M-Duino WiFi/BLE PLC 58+    | ✓           | Analog / Digital | Analog / Digital | Analog / Digital |

The distribution of the different features that provide the M-Duino WiFi/BLE PLC Family is the following one:

| Shield        | B Zone   | C Zone   | D Zone   |
|---------------|--|--|--|
| Analog Shield | <p>13 Inputs<br/>(13 Digital Inputs, 6 of which can work as Analog Input)</p> <p>8 Outputs<br/>(8 Digital Outputs, 3 of which can work as Analog Output)</p>               | <p>11 Inputs<br/>(11 Digital Inputs, 6 of which can work as Analog Input)</p> <p>8 Outputs<br/>(8 Digital Outputs, 3 of which can work as Analog Output)</p>               | <p>10 Inputs<br/>(10 Digital Inputs, 4 of which can work as Analog Input)</p> <p>6 Outputs<br/>(6 Digital Outputs, 2 of which can work as Analog Outputs)</p>              |
| Relay Shield  | <p>6 inputs<br/>(6 Digital Inputs, 4 of which can work as Analog Input)</p> <p>3 Outputs<br/>(3 Digital Outputs, 3 of which can work as Analog Output)</p> <p>8 Relays</p> | <p>4 inputs<br/>(4 Digital Inputs, 4 of which can work as Analog Input)</p> <p>3 Outputs<br/>(3 Digital Outputs, 3 of which can work as Analog Output)</p> <p>8 Relays</p> | <p>6 inputs<br/>(6 Digital Inputs, 4 of which can work as Analog Input)</p> <p>2 Outputs<br/>(2 Digital Outputs, 2 of which can work as Analog Output)</p> <p>7 Relays</p> |



## 1.4 A Zone Features

| Shield               | A Zone   |
|----------------------|--|
| Communication Shield | (1x) Ethernet<br>(1x) USB<br>(1x) I2C<br>(1x) TTL<br>(1x) RS-232<br>(1x) HALF/FULL Duplex RS-485<br>(1x) SPI external Port<br>(1x) RTC<br>(1x) uSD Socket<br>(1x) WiFi/BLE |




## 1.5 Mechanical dimensions and weights

| Model                       | Measures Table |            |            |                |
|-----------------------------|----------------|------------|------------|----------------|
|                             | Height (mm)    | Width (mm) | Depth (mm) | Max weight (g) |
| M-Duino WiFi/BLE PLC 19R+   | 119.5          | 70.1       | 101        | 394            |
| M-Duino WiFi/BLE PLC 21+    | 119.5          | 70.1       | 101        | 394            |
| M-Duino WiFi/BLE PLC 38AR+  | 119.5          | 94.7       | 101        | 504            |
| M-Duino WiFi/BLE PLC 38R+   | 119.5          | 94.7       | 101        | 504            |
| M-Duino WiFi/BLE PLC 42+    | 119.5          | 94.7       | 101        | 504            |
| M-Duino WiFi/BLE PLC 50RRA+ | 119.5          | 119.3      | 101        | 614            |
| M-Duino WiFi/BLE PLC 53ARR+ | 119.5          | 119.3      | 101        | 614            |
| M-Duino WiFi/BLE PLC 54ARA+ | 119.5          | 119.3      | 101        | 614            |
| M-Duino WiFi/BLE PLC 57AAR+ | 119.5          | 119.3      | 101        | 614            |
| M-Duino WiFi/BLE PLC 57R+   | 119.5          | 119.3      | 101        | 614            |
| M-Duino WiFi/BLE PLC 58+    | 119.5          | 119.3      | 101        | 614            |

## 1.6 General Features

| CONNECTABLE PLC ARDUINO 24Vcc M-DUINO            |   |   |
|--|---|---|
| MODEL TYPE                                       | Controller General Specifications   | Information   |
| <b>Input Voltage</b>                             | 12 to 24Vdc<br>===  | Fuse protection (2.5A)<br>Polarity protection   |
| <b>Input rated voltage</b>                       | 24 Vdc<br>===   |   |
| <b>Rated Power</b>                               | 30W   |   |
| <b>I max.</b>                                    | 1.5A  |   |
| <b>Size</b>                                      | <a href="#">Check size and weight table</a>   |   |
| <b>Clock Speed</b>                               | 16MHz   |   |
| <b>Flash Memory</b>                              | 256KB of which 8KB used by bootloader   |   |
| <b>SRAM</b>                                      | 8KB   |   |
| <b>EEPROM</b>                                    | 4KB   |   |
| <b>Communications</b>                            | I2C – Ethernet Port – USB – RS485 – RS232 – SPI –<br>(1x) RX, TX (Arduino pins) – Wi-Fi   | Max232-Max485-W5500 -<br>ESP32  |
| <b>USB consideration!</b>                        | <b>Only meant for uploading or debugging, not<br/>always connected as a serial in a project!</b>  | <b>Cannot be working in a final<br/>application</b>   |
| <b>An/Dig Input 10bit</b><br>(0-10Vcc)           | 0 to 10Vdc<br>Input Impedance: 39K<br>Separated PCB ground<br>Rated Voltage: 10Vdc<br><br>5 to 24Vdc<br>I min: 2 to 12mA<br>Galvanic Isolation<br>Rated Voltage: 24Vdc<br>=== | Max read time: 116us<br><br>*Check <a href="#">Section 14</a> for digital<br>inputs threshold detection                   |
| <b>Digital Isolated Input</b><br>(24Vcc)         | 5 to 24Vdc<br>I min: 2 to 12mA<br>Galvanic Isolation<br>Rated Voltage: 24Vdc<br>===   | All Digital Inputs are PNP.<br>Click <a href="#">here</a> <sup>1</sup> for more<br>information.<br><br>Max read time: 8us |
| <b>* Interrupt isolated<br/>Input HS (24Vcc)</b> | 5 to 24Vdc<br>I min: 2 to 12mA<br>Galvanic Isolation<br>Rated Voltage: 24Vdc<br>===   | Max read time: 8us  |
| <b>Analog Output 8bit</b><br>(0-10Vcc)           | 0 to 10Vdc<br>I max: 20mA<br>Separated PCB ground<br>Rated Voltage: 10Vdc<br>===  | Output frequency: 2Hz<br><br>Rising edge time: 150ms<br>Falling edge time: 252ms  |

<sup>1</sup> <https://www.industrialshields.com/blog/arduino-industrial-1/post/npn-digital-inputs-on-industrial-plc-193>

|  |   |   |
|--|---|---|
| <b>Digital Isolated Output</b><br>(24Vcc)                                      | 5 to 24Vdc<br>I max: 70mA<br>Galvanic Isolation<br>Diode Protected for Relay<br>Rated Voltage: 24Vdc<br> | I <sub>max</sub> 24Vdc: 410mA<br><br>With 70 us delay,<br>freq is 6.849MHz<br>with pulse width of 106us<br><br>Rising edge time: 476ns<br>Falling edge time: 42.8us |
| <b>Digital Isolated Output</b><br>Relay  | 30Vdc / 250Vac<br>Galvanic Isolation<br>Diode protected for Relay<br>                                    | I <sub>max</sub> : 3A (30Vdc)<br>I <sub>max</sub> : 5A (250Vac)   |
| <b>PWM Isolated Output</b><br><b>8bit</b> (24Vcc)                              | 5 to 24Vdc<br>I max: 70mA<br>Galvanic Isolation<br>Diode Protected for Relay<br>Rated Voltage: 24Vdc<br> |   |
| <b>Direct Arduino Pin</b><br>Output  | 0 to 5Vdc<br>I max: 40mA<br>Rated Voltage: 5Vdc   | Max frequency: 77kHz<br><br>Rising edge time: 200ns<br>Falling edge time: 200ns   |
| <b>Direct Arduino Pin</b><br>Input   | 0 to 5Vdc<br>I max: 40mA<br>Rated Voltage: 5Vdc   | Max read time: 8us  |
| <b>I2C Pin</b>   | 5V Pull-up  | Max frequency: 100kHz<br>Rising edge time: 10us<br>Falling edge time: 150ns   |
| <b>One-Wire Pin</b>  | Usable pins:<br>Pin 2, Pin3, SCL, SDA, RX0, TX0,<br>MISO, MOSI, SCK   | Frequency: 800kHz   |
| <b>Expandability</b>   | I2C - 127 elements - Serial Port RS232/RS485  |   |
| <b>* By using this type of signal can no longer use Digital signal (24Vdc)</b> |   |   |

## 1.7 Power consumption of the M-Duino WiFi/BLE Family PLCs

| Model  | Current resting (mA) | Power resting (W) | Current active (mA) | Power active (W) |
|--------|----------------------|-------------------|---------------------|------------------|
| 21+    | 99                   | 2,376             | 120                 | 2,88             |
| 42+    | 92                   | 2,208             | 128                 | 3,072            |
| 58+    | 76                   | 1,824             | 126                 | 3,024            |
| 19R+   | 80                   | 1,92              | 202                 | 4,848            |
| 38R+   | 77                   | 1,848             | 313                 | 7,512            |
| 57R+   | 73                   | 1,752             | 425                 | 10,2             |
| 38AR+  | 72                   | 1,728             | 221                 | 5,304            |
| 53ARR+ | 71                   | 1,704             | 323                 | 7,752            |
| 57AAR+ | 71                   | 1,704             | 221                 | 5,304            |
| 54ARA+ | 76                   | 1,824             | 231                 | 5,544            |
| 50RRA+ | 82                   | 1,968             | 322                 | 7,728            |

The power consumption is measured at 24Vdc.



The **current resting** column denotes the minimum current drawn by the PLC when all outputs are at a LOW level, representing the PLC's baseline power consumption.

In contrast, the **current active** column reflects the current drawn by the PLC when all outputs are at a HIGH level, and there are no connections to any of the outputs. While this value is not the absolute maximum the Arduino based PLC can draw, it serves as a reference point for expected current values.

It's important to note that the practical maximum current may vary depending on the type of actuators connected to the outputs and the number of I/Os used. The actual consumption can be influenced by the specific configuration and load connected to the PLC's outputs."

## 2 Technical Specifications

### 2.1 General Specifications




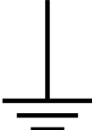




| Item                            |                              | M-Duino WiFi/BLE Family PLC   |
|---------------------------------|------------------------------|---|
| Power supply voltage            | DC power supply              | 12 to 24Vdc   |
| Operating voltage range         | DC power supply              | 11.4 to 25.4Vdc    |
| Power consumption               | DC power supply              | 30W max.  |
| External power supply           | Power supply voltage         | 24Vdc    |
|                                 | Power supply output capacity | 700mA   |
| Insulation resistance           |                              | 20MΩ min.at 500Vdc between the AC terminals and the protective earth terminal.  |
| Dielectric strength             |                              | 2.300Vac at 50/60 Hz for one minute with a leakage current of 10mA max. Between all the external AC terminals and the protective ground terminal. |
| Shock resistance                |                              | 80m/s <sup>2</sup> in the X, Y and Z direction 2 times each.  |
| Ambient temperature (operating) |                              | 0° to 60°C  |
| Ambient humidity (operating)    |                              | 10% to 90% (no condensation)  |
| Ambient environment (operating) |                              | With no corrosive gas   |
| Ambient temperature (storage)   |                              | -20° to 60°C  |
| Power supply holding time       |                              | 2ms min.  |
| Weight                          |                              | <a href="#">Check size and weight table</a>   |

### 2.2 Performance Specification:

|                         |   |
|-------------------------|---|
| Arduino Board           | ARDUINO MEGA 2560   |
| Control method          | Stored program method   |
| I/O control method      | Combination of the cyclic scan and immediate refresh processing methods.  |
| Programming language    | Arduino IDE. Based on wiring (Wiring is an Open Source electronics platform composed of a programming language. "similar to the C". <a href="http://arduino.cc/en/Tutorial/HomePage">http://arduino.cc/en/Tutorial/HomePage</a> |
| Microcontroller         | ATmega2560  |
| Flash Memory            | 256KB of which 8KB are used by the bootloader   |
| Program capacity (SRAM) | 8KB   |
| EEPROM                  | 4KB   |
| Clock Speed             | 16MHz   |

## 2.3 Symbology

Table that includes all the symbology that is used in the serigraph of the M-Duino WiFi/BLE PLC Family:

| Symbol  | Standard No. / Standard Title                      | Standard Reference No. / Symbol Title | Symbol Meaning   |
|---|--|---------------------------------------|--|
|    | IEC 60417 / Graphical symbols for use on equipment | 5031 / Direct Current                 | Indicates that the equipment is suitable for direct current only; to identify relevant terminals               |
|    | IEC 60417 / Graphical symbols for use on equipment | 5032 / Alternating Current            | Indicates that the equipment is suitable for alternating current only; to identify relevant terminals          |
|   | IEC 60417 / Graphical symbols for use on equipment | 5130 / Pulse General                  | To identify the control by which a pulse is started.   |
|  | IEC 60417 / Graphical symbols for use on equipment | 5017 / Earth, Ground                  | To identify an earth (ground) terminal in cases where neither the symbol 5018 nor 5019 is explicitly required. |
|  | IEC 60417 / Graphical symbols for use on equipment | 5115 / Signal lamp                    | To identify the switch by means of which the signal lamp(s) is (are) switched on or off.                       |
|  | 2004/108/EC / Electromagnetic Compatibility        | CE Marking                            | CE marking indicates that a product complies with applicable European Union regulations                        |
|  | ISO 7000/ Graphical symbols for use on equipment   | 0434B / Warning symbol                | Indicates a potentially hazardous situation which, if not avoided, could result in death or serious injury     |
|  | ISO 7000/ Graphical symbols for use on equipment   | 5036 / Dangerous Voltage              | To indicate hazards arising from dangerous voltages  |

## 3 Precautions

Read this manual before attempting to use any of the M-Duino GPRS PLC Family and follow its descriptions for reference during operation.

### 3.1 Arduino Board

The M-Duino GPRS Family PLCs include Arduino Mega Board as controller.

### 3.2 Intended Audience

This manual is intended for technicians, which must have knowledge on electrical systems.

### 3.3 General Precautions

The user must operate an M-Duino according to the performance specifications described in this manual. Before using M-Duino under different conditions from what has been specified in this manual or integrating M-Duino to nuclear control systems, railroad systems, aviation systems, vehicles, combustion systems, medical equipment, amusement machines, safety equipment and other systems, machines, and equipment that may have a serious influence on lives and property if used improperly, consult your INDUSTRIAL SHIELDS representative. Ensure that the rating and performance characteristics of M-Duino are sufficient for the systems, machines, and equipment, and be sure to provide the systems, machines, and equipment double safety mechanisms. This manual provides information for programming and operating the M-Duino.

### 3.4 Isolation Precautions

#### Description:

This equipment does **not include galvanic isolation between the grounds** of the different systems. This means that if an external device or sensor that shares the same ground reference (GND) with the system is connected, any potential difference between these grounds could damage the connected components. To avoid issues with interference, ground loops, or damage to external equipment, ensure that all connected devices share the same ground reference or use systems with appropriate isolation.

#### Recommendations:

- **Connection Review:** Verify that all ground connections are properly made and that there are no significant potential differences between them.
- **Use of Isolation:** Consider using galvanic isolators or isolation transformers if it is necessary to connect equipment with different ground references.

## 4 M-Duino Pinout

|        |              | IOs Table                  |                        |                         |                       |              |                                   |
|--------|--------------|----------------------------|------------------------|-------------------------|-----------------------|--------------|-----------------------------------|
| Model  | Reference    | Analog Input* <sup>1</sup> | Digital Isolated Input | Digital Isolated Output | Digital/Analog Output | Relay Output | PWM Isolated Output* <sup>2</sup> |
| 19R+   | 007001000100 | 4                          | 2                      | 0                       | 3                     | 8            | 3                                 |
| 21+    | 007001000200 | 6                          | 7                      | 5                       | 3                     | 0            | 3                                 |
| 38AR+  | 007001000700 | 10                         | 7                      | 5                       | 6                     | 8            | 6                                 |
| 38R+   | 007001000300 | 8                          | 2                      | 0                       | 6                     | 16           | 6                                 |
| 42+    | 007001000400 | 12                         | 12                     | 10                      | 6                     | 0            | 6                                 |
| 50RRA+ | 007001000900 | 12                         | 8                      | 4                       | 8                     | 16           | 8                                 |
| 53ARR+ | 007001001000 | 14                         | 9                      | 5                       | 8                     | 15           | 8                                 |
| 54ARA+ | 007001001100 | 14                         | 13                     | 9                       | 8                     | 8            | 8                                 |
| 57AAR+ | 007001000800 | 16                         | 14                     | 10                      | 8                     | 7            | 8                                 |
| 57R+   | 007001000500 | 12                         | 4                      | 0                       | 8                     | 23           | 8                                 |
| 58+    | 007001000600 | 16                         | 18                     | 14                      | 8                     | 0            | 8                                 |

\*<sup>1</sup> The analog inputs can also be used as digital inputs.

\*<sup>2</sup> The PWM isolated outputs can also be used as digital isolated outputs. The associated PWM and analog outputs cannot be used at the same time (check [switch configuration](#)).

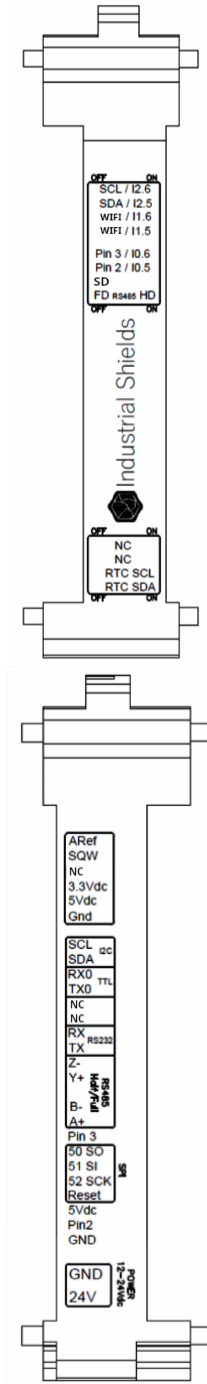


## 5 Serigraphy

### 5.1 A Zone connection (Communications)

| Base              |             |             |
|-------------------|-------------|-------------|
| A Zone            |             |             |
| M-Duino Connector | Arduino Pin | Function    |
| AREF              | AREF        | Arduino Pin |
| SQW               | SQW         | Arduino Pin |
| -                 | -           | -           |
| 3.3Vdc            | 3.3Vdc      | -           |
| 5Vdc              | 5Vdc        | -           |
| GND               | GND         | GND         |

| Base              |             |               |
|-------------------|-------------|---------------|
| A Zone            |             |               |
| M-Duino Connector | Arduino Pin | Function      |
| SCL               | 21          | I2C/SS        |
| SDA               | 20          | I2C/SS        |
| RX0               | 0           | RX0/SS        |
| TX0               | 1           | TX0/SS        |
| -                 | -           | -             |
| -                 | -           | -             |
| TX                | 16          | RX2(serial 2) |
| RX                | 17          | TX2(serial 2) |
| Z-                | -           | RS485         |
| Y+                | -           | RS485         |
| B-                | -           | RS485         |
| A+                | -           | RS485         |
| PIN3              | 3           | Arduino Pin   |
| 50 SO             | 50          | SPI           |
| 51 SI             | 51          | SPI           |
| 52 SCK            | 52          | SPI           |
| Reset             | Reset       | SPI           |
| Vin5              | Vin5        | 5V            |
| PIN2              | 2           | Arduino Pin   |
| GND               | -           | Gnd           |
| GND               | -           | Gnd           |
| 24Vdc             | -           | Power Supply  |



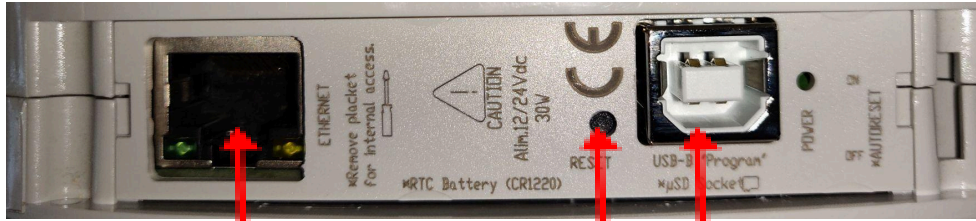
Configuration Switch\* (see section 8 to select the correct configuration for outputs. Enabling communications disables some I/Os).

Rx1/Tx1 \* Pins used for the WiFi module

Communication Pins

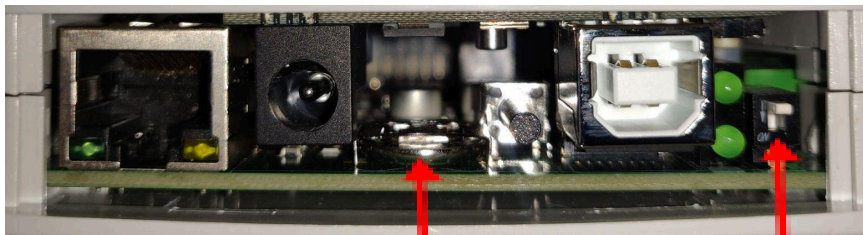
Power supply connectors (24Vdc - GND)

SS: Chip Select pins. These pins can act as TTL, so they can work for the Chip Select pin of any device.



Ethernet

Reset USB-B



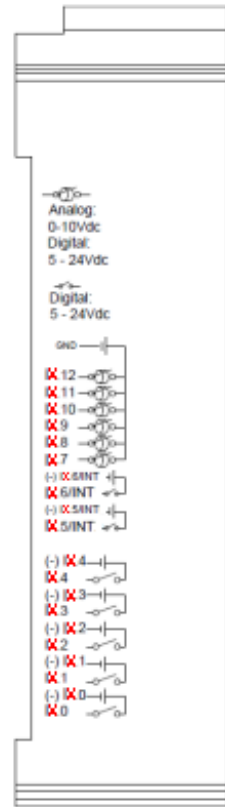
RTC

Programmable button

## 5.2 Analog/Digital Zone connection (I/Os)

| <b>X Zone</b>     |                             |
|-------------------|-----------------------------|
| M-Duino Connector | Function                    |
| <b>IX.12</b>      | Analog/Digital In*          |
| <b>IX.11</b>      | Analog/Digital In*          |
| <b>IX.10</b>      | Analog/Digital In           |
| <b>IX.9</b>       | Analog/Digital In           |
| <b>IX.8</b>       | Analog/Digital In           |
| <b>IX.7</b>       | Analog/Digital In           |
| <b>(-)IX.6</b>    | GND IX.6                    |
| <b>IX.6/INT</b>   | Interrupt X In <sup>2</sup> |
| <b>(-)IX.5</b>    | GND IX.5                    |
| <b>IX.5/INT</b>   | Interrupt X In <sup>3</sup> |
| <b>(-)IX.4</b>    | GND IX.4*                   |
| <b>IX.4</b>       | Digital Input*              |
| <b>(-)IX.3</b>    | GND IX.3                    |
| <b>IX.3</b>       | Digital Input               |
| <b>(-)IX.2</b>    | GND IX.2                    |
| <b>IX.2</b>       | Digital Input               |
| <b>(-)IX.1</b>    | GND IX.1                    |
| <b>IX.1</b>       | Digital Input               |
| <b>(-)IX.0</b>    | GND IX.0                    |
| <b>IX.0</b>       | Digital Input               |

\*Connectors IX.12, IX.11 and IX.4 are not connected (NC) in D Zone.

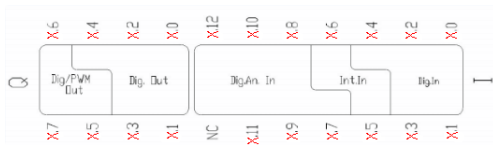


Analog/Digital Inputs

Interrupt Inputs (isolated)

Digital Inputs (isolated)

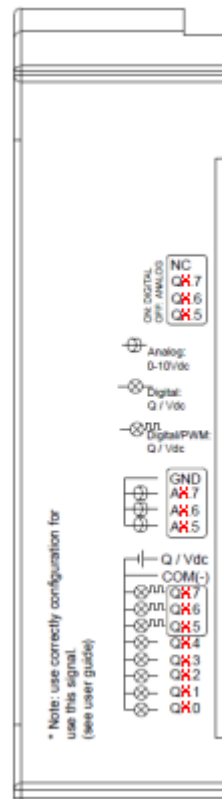
### Top Zone



Led indicator I/Os state

| <b>X Zone</b>     |                           |
|-------------------|---------------------------|
| M-Duino Connector | Function                  |
| <b>GND</b>        | GND                       |
| <b>AX.7</b>       | Analog Out*               |
| <b>AX.6</b>       | Analog Out                |
| <b>AX.5</b>       | Analog Out                |
| <b>QVdc</b>       | External Isolated Out Vdc |
| <b>COM(-)</b>     | External Isolated Out GND |
| <b>QX.7</b>       | Digital/PWM Out*          |
| <b>QX.6</b>       | Digital/PWM Out           |
| <b>QX.5</b>       | Digital/PWM Out           |
| <b>QX.4</b>       | Digital Out*              |
| <b>QX.3</b>       | Digital Out               |
| <b>QX.2</b>       | Digital Out               |
| <b>QX.1</b>       | Digital Out               |
| <b>QX.0</b>       | Digital Out               |

\*Connectors AX.7, QX.7 and QX.4 are not connected (NC) in D Zone.



Configuration Switch\*

(see section 8 to select the correct configuration for outputs).

Analog Outputs

Voltage Supply/Reference for

Digital/PWM Outputs (isolated)

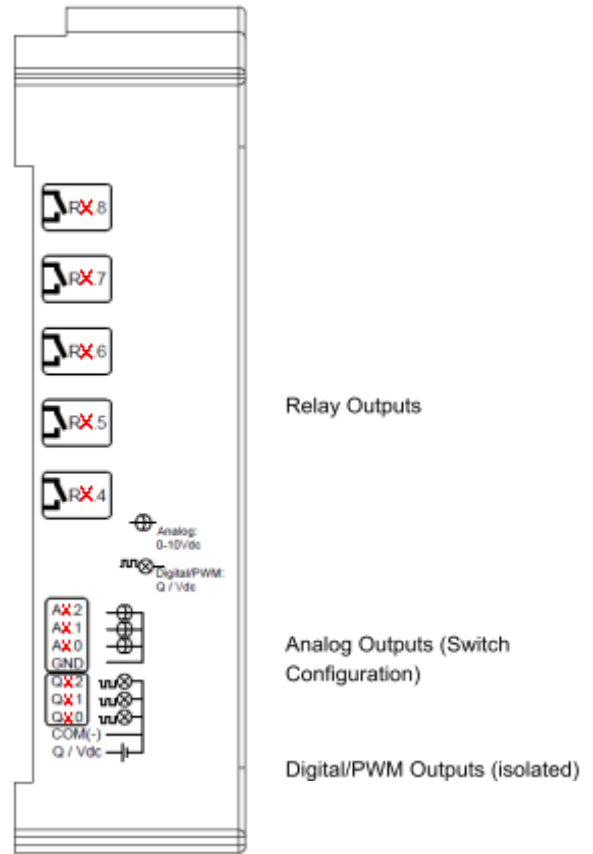
Digital Outputs

<sup>2</sup> See [section 5.4](#) to know more about interrupt pins.

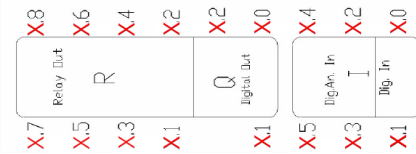
### 5.3 Relay Zone connection (I/Os)

| X Zone            |                           |
|-------------------|---------------------------|
| M-Duino Connector | Function                  |
| <b>RX.8</b>       | Relay Out                 |
| <b>RX.7</b>       | Relay Out                 |
| <b>RX.6</b>       | Relay Out                 |
| <b>RX.5</b>       | Relay Out*                |
| <b>RX.4</b>       | Relay Out                 |
| <b>AX.2</b>       | Analog Out*               |
| <b>AX.1</b>       | Analog Out                |
| <b>AX.0</b>       | Analog Out                |
| <b>GND</b>        | GND                       |
| <b>QX.2</b>       | Digital/PWM Out*          |
| <b>QX.1</b>       | Digital/PWM Out           |
| <b>QX.0</b>       | Digital/PWM Out           |
| <b>COM(-)</b>     | External Isolated Out Gnd |
| <b>QVdc</b>       | External Isolated Out Vdc |

\*Connectors RX.5, AX.2 and QX.2 are not connected (NC) in D Zone.

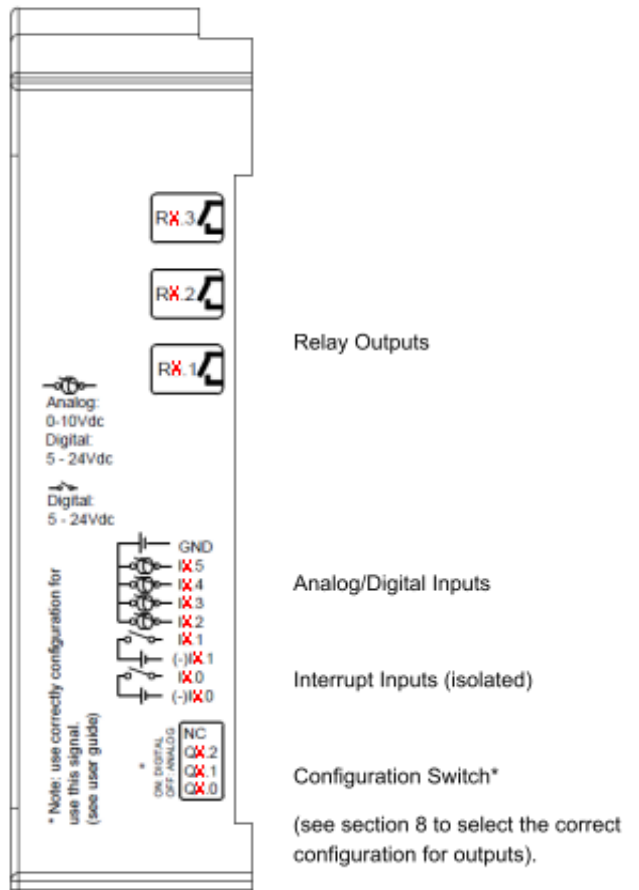


#### Top Zone



#### Led indicator I/Os state

| X Zone                      |                      |
|-----------------------------|----------------------|
| M-Duino Connector           | Function             |
| <b>RX.3</b>                 | Relay Out            |
| <b>RX.2</b>                 | Relay Out            |
| <b>RX.1</b>                 | Relay Out            |
| <b>GND</b>                  | GND                  |
| <b>IX.5</b>                 | Analog/Digital Input |
| <b>IX.4</b>                 | Analog/Digital Input |
| <b>IX.3</b>                 | Analog/Digital Input |
| <b>IX.2</b>                 | Analog/Digital Input |
| <b>IX.1/INT<sup>3</sup></b> | Interrupt X In       |
| <b>(-)IX.1</b>              | GND IX.1             |
| <b>IX.0/INT<sup>4</sup></b> | Interrupt X In       |
| <b>(-)IX.0</b>              | GND IX.0             |



<sup>3</sup> See [section 5.4](#) to know more about interrupt pins.

## 5.4 Interrupt equivalence table

See the [Reference Table](#) in order to know the specific device details.

| Zone | Analog/Digital |               |             | Relay     |               |             |
|------|----------------|---------------|-------------|-----------|---------------|-------------|
|      | PLC Input      | PLC Interrupt | M-Duino Pin | PLC Input | PLC Interrupt | M-Duino Pin |
| B    | 0.6            | INT1          | PIN3        | 0.1       | INT1          | PIN3        |
|      | 0.5            | INT0          | PIN2        | 0.0       | INT0          | PIN2        |
| C    | 1.5            | INT5          | PIN19       | -         | -             | -           |
|      | 1.6            | INT4          | PIN18       | -         | -             | -           |
| D    | 2.5            | INT3          | PIN21       | 2.1       | INT3          | PIN21       |
|      | 2.6            | INT2          | PIN20       | 2.0       | INT2          | PIN20       |

If WiFi is activated through switches, interrupts INT5 and INT4 will not work.

Check this [link](#) for more information.

## 6 Software interface

Industrial Shields PLC are programmed using Arduino IDE, which is a software based on the C language. They can also be programmed directly using C, but it is much easier working with Arduino IDE, as it provides lots of useful libraries.

Industrial Shields provide a boards package for programming the PLCs, making it easier and friendlier. It includes various facilities such as not having to define the pins, etc.

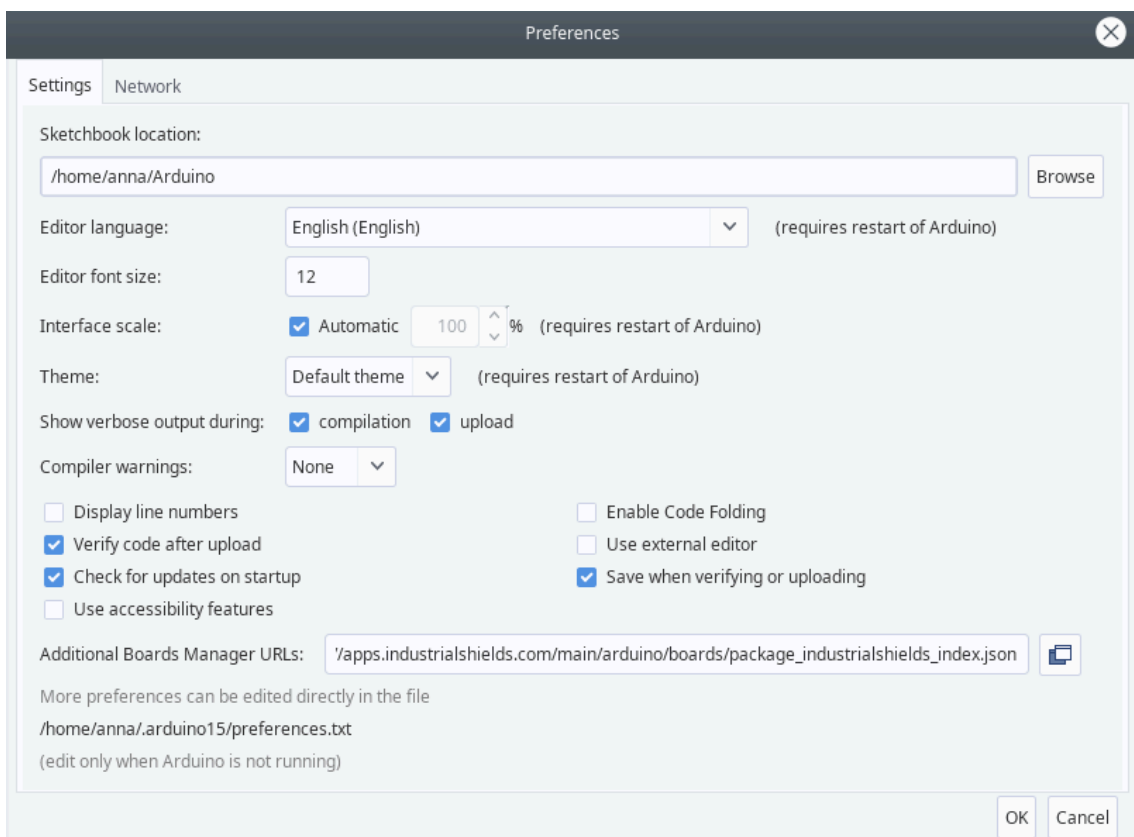
In order to install Industrial Shields boards, these are the steps that must be followed.

### Requirements:

Arduino IDE 1.8.15 or above (recommended: 1.8.19).

### Steps:

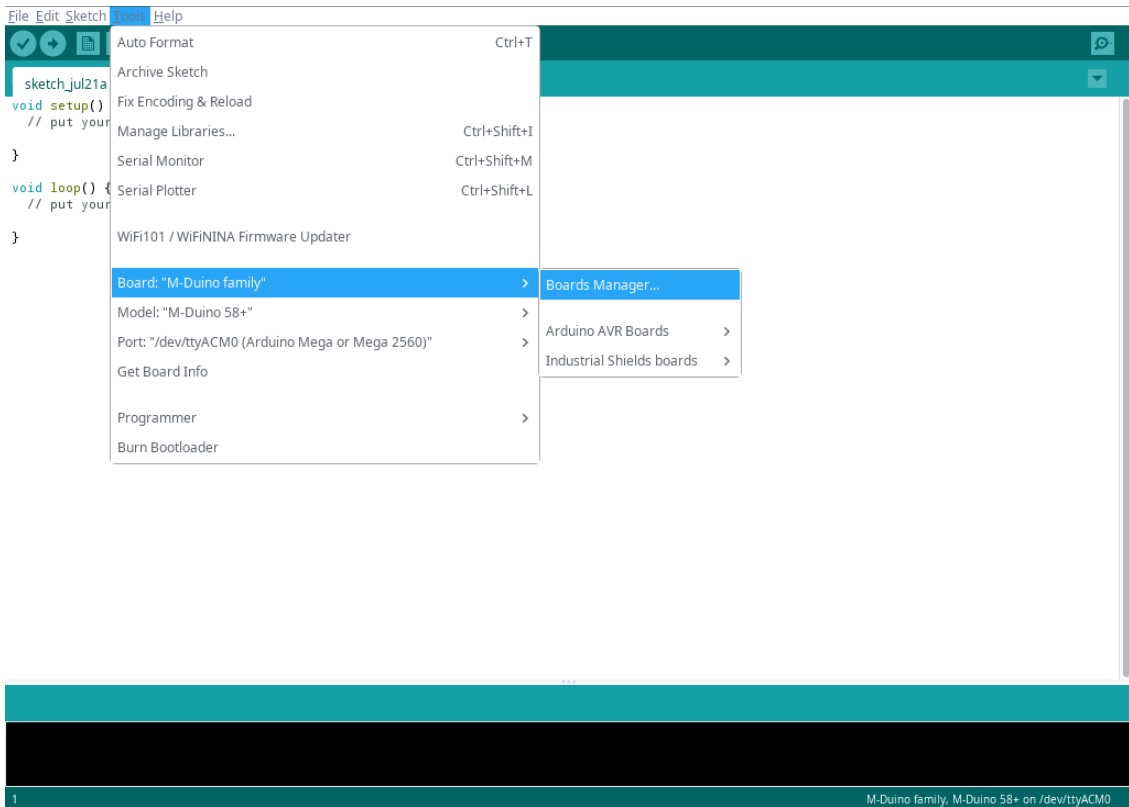
1. Open Arduino IDE and go to: "File -> Preferences" located in the top left corner.



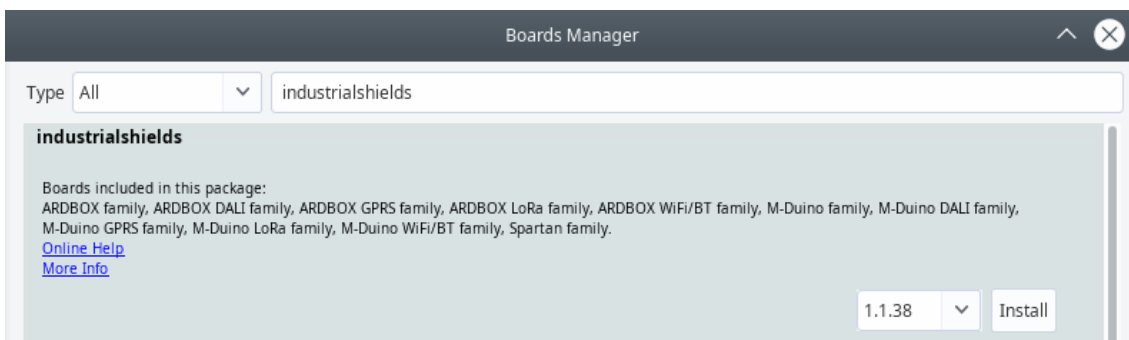
- In Additional Boards Manager URLs write the following:

[http://apps.industrialshields.com/main/arduino/boards/package\\_industrialshields\\_index.json](http://apps.industrialshields.com/main/arduino/boards/package_industrialshields_index.json)

- Press OK to save the changes.
- Go to: Tools -> Board: ... -> Boards Manager

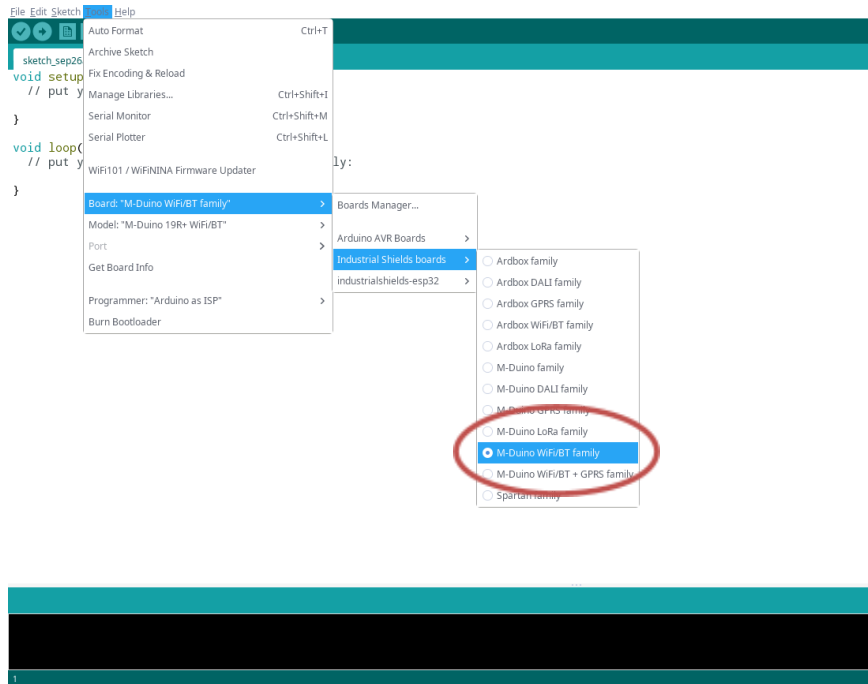


- Search for "industrialshields" on the browser.

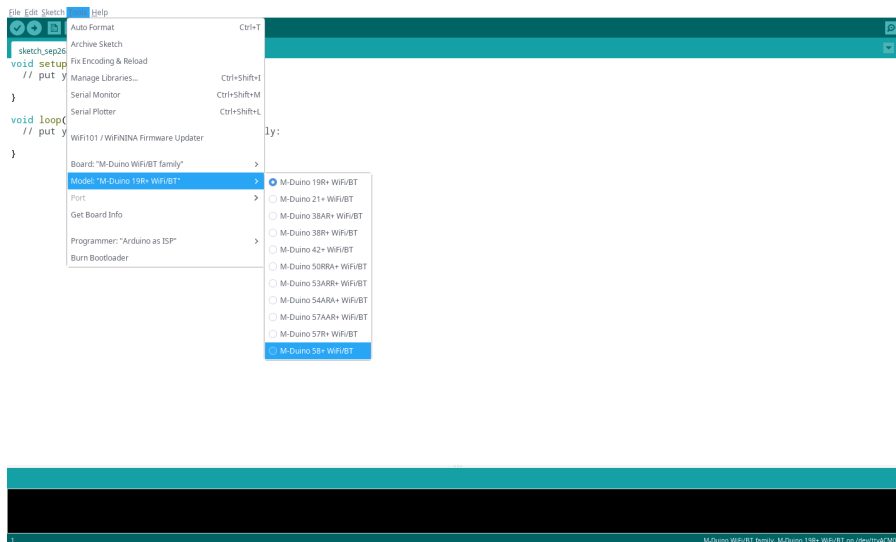


6. Click install (selecting the latest version).

Following these steps you will be able to see now the Industrial Shields Boards:



Once it is selected M-Duino WiFi/BT Family, an extra option will appear on Tools:



There, it can be selected the exact model for every family.

Also there are some examples of programming in File -> Examples -> Examples for WiFi module.

Furthermore there are some extra libraries that can be found in Industrial Shields github.

<https://github.com/Industrial-Shields/>



## 7 How to connect PLC Arduino to PC

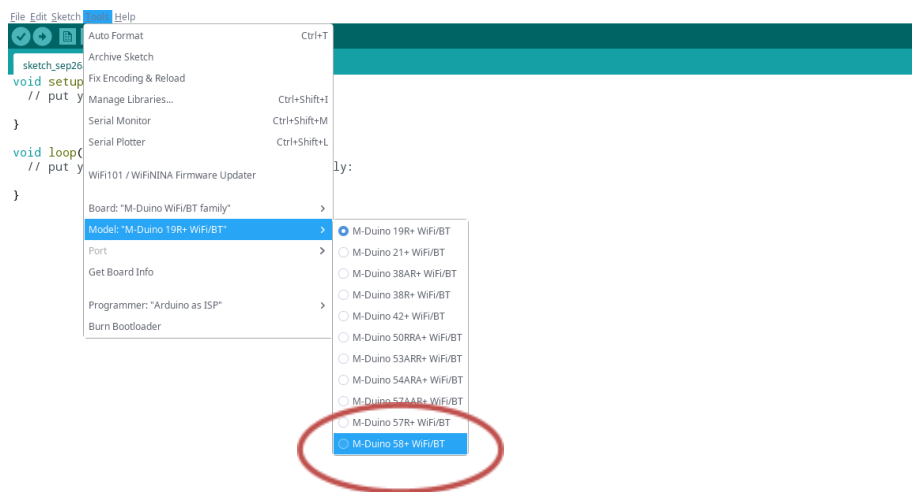
- Connect USB port from PLC to PC.



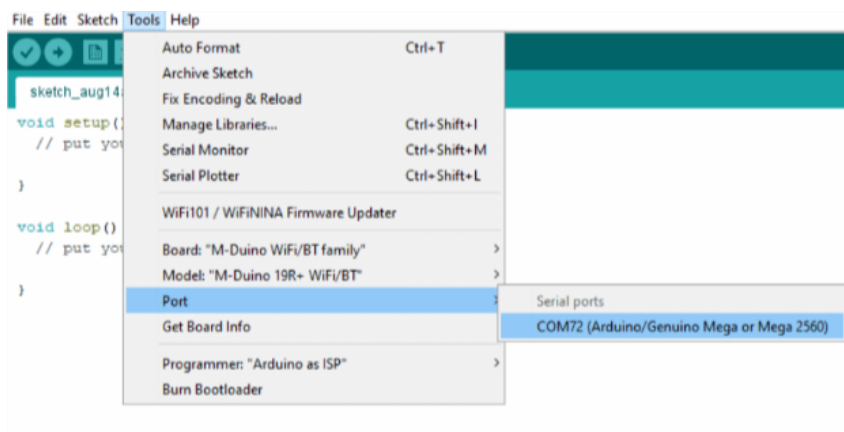
**NOTE:**

M-Duino WiFi/BLE Family uses B-USB cable.

- Open Arduino IDE interface:
- Select Industrial Shields boards -> M-Duino WIFI/BT Family
- Select the correct M-Duino Board (M-Duino 58+WIFI/BT in our example).

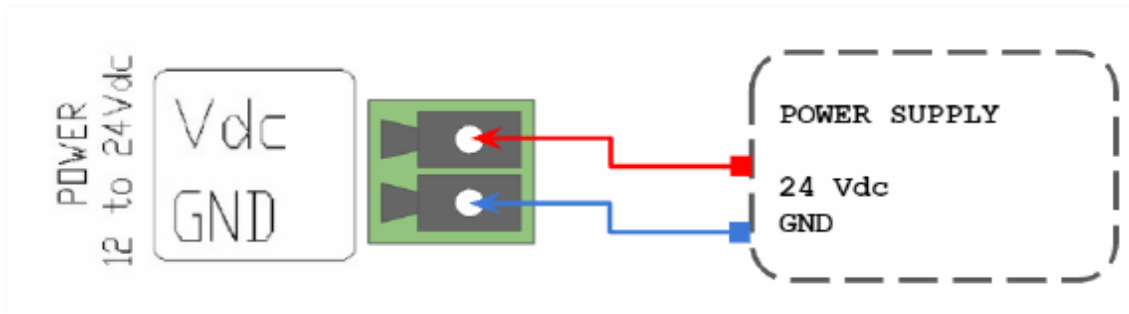


- Select the correct port.



## 8 How to connect PLC to power supply

- M-Duino WIFI/BLE Family PLCs are 12-24Vdc supplied. **IMPORTANT: The polarity IS NOT REVERSIBLE!**
- Make sure that the live and GND connector of the power supply match the PLC.
- Make sure that the power supply mains output is not higher than 24Vdc.



- Suggested power suppliers

Compact DIN rail power supply. Assembled on 35mm DIN Rail:  
 -12Vdc / 24Vdc  
 -2.5A  
 -30W

Industrial Shields power supplies provide parallel operation, overvoltage protection, and overcurrent protection. There is a LED indicator for power status, the power supply is certified according to UL.



The standard, Part 1 of IEC 61010, sets the general safety requirements for the following types of electrical devices and their accessories, regardless of where use of the device is intended.

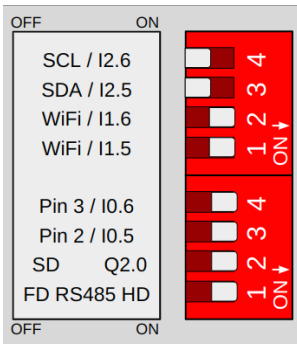
The equipment must be powered from an external power source in accordance with IEC 61010-1, whose output is MBTS and is limited in power according to section 9.4 of IEC 61010-1.

**WARNING:** Once the equipment is installed inside an electrical cabinet, the MTBS cables of the equipment must be separated from the dangerous voltage cables.

## 9 Switch configuration

### 9.1 A Zone: Communications

| A Zone     |       |    |
|------------|-------|----|
| Switch     | OFF   | ON |
| SCL   XX   | SCL   | XX |
| SDA   XX   | SDA   | XX |
| WiFi   XX  | WiFi  | XX |
| WiFi   XX  | WiFi  | XX |
| Pin 3   XX | Pin 3 | XX |
| Pin 2   XX | Pin 2 | XX |
| SD   XX    | SD    | XX |
| FD   HD    | FD    | HD |



This is an D Zone Switch example from M-Duino 58+ WIFI/BLE. In this case, SCL, SDA, I1.6, I1.5, I0.6, I0.5, Q2.0 and HD are enabled. This means SCL, SDA, WiFi, Pin 3, Pin 2, SD and FD are disabled.

**4. SCL | XX:** Choosing between SCL or the input XX. If the switch is ON, it enables XX and disables SCL. If the switch is OFF, it enables SCL and disables XX. The serigraphy in the PLC will indicate which input is referred to XX.

**3. SDA | XX:** Choosing between SDA or the input XX. If the switch is ON, it enables XX and disables SDA. If the switch is OFF, it enables SDA and disables XX. The serigraphy in the PLC will indicate which input is referred to XX.

**2. WiFi | XX:** Choosing between WiFi or the input XX. If the switch is ON, it enables XX and disables WiFi. If the switch is OFF, it enables WiFi and disables XX. The serigraphy in the PLC will indicate which input is referred to XX. Both WiFi switches must be enabled to activate WiFi connection

**1. WiFi | XX:** Choosing between WiFi or the input XX. If the switch is ON, it enables XX and disables WiFi. If the switch is OFF, it enables WiFi and disables XX. The serigraphy in the PLC will indicate which input is referred to XX. Both WiFi switches must be enabled to activate WiFi connection.

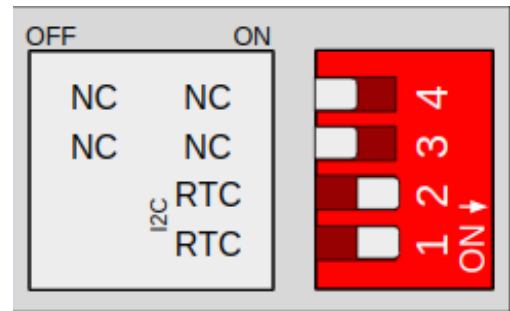
**4. Pin 3 | XX:** Choosing between Pin 3 or the input XX. If the switch is ON, it enables XX and disables Pin 3. If the switch is OFF, it enables Pin 3 and disables XX. The serigraphy in the PLC will indicate which input is referred to XX.

**3. Pin 2 | XX:** Choosing between Pin 2 or the input XX. If the switch is ON, it enables XX and disables Pin 2. If the switch is OFF, it enables Pin 2 and disables XX. The serigraphy in the PLC will indicate which input is referred to XX.

**2. SD | XX:** Choosing between SD or the input XX. If the switch is ON, it enables XX and disables SD. If the switch is OFF, it enables SD and disables XX. The serigraphy in the PLC will indicate which input is referred to XX.

**1. FD | HD:** Choosing between FD or HD. If the switch is ON, it enables HD and disables FD. If the switch is OFF, it enables FD and disables HD. Note: HD stands for Half Duplex and FD means Full Duplex. Check [section 11.2](#) for more information.

| A Zone   |     |     |
|----------|-----|-----|
| Switch   | OFF | ON  |
| NC       | -   | -   |
| NC       | -   | -   |
| NC   RTC | -   | RTC |
| NC   RTC | -   | RTC |

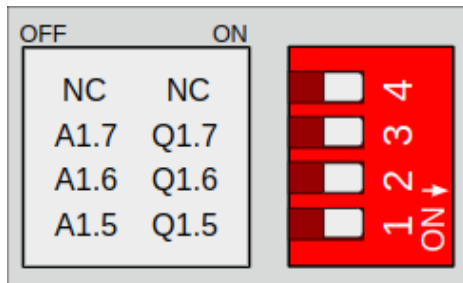


This switch enables the communication with RTC using I2C. Having both switches in ON mode activates the communication, whereas if they are in OFF mode I2C is disabled to reach the RTC.

## 9.2 Digital/Analogic Shield Switches

| Digital/ Analogic Shield Switch |      |      |
|---------------------------------|------|------|
| Switch                          | OFF  | ON   |
| NC                              | -    | -    |
| AX.7   QX.7                     | AX.7 | QX.7 |
| AX.6   QX.6                     | AX.6 | QX.6 |
| AX.5   QX.5                     | AX.5 | QX.5 |

\*X can change depending on which zone we are in. Check the serigraphy in the PLC to know what number takes X.



We can see here an example switch from the C Zone (Notice that X takes value 1 here).

For the Analog Shield if a switch is set to ON, it can only act as Digital Output. If it is set to OFF it can only act as an Analog Output.

If it is desired to use a Digital Output the switch must be set to ON and the pin that will provide this digital output is represented with QX.X, being X any number of the table above.

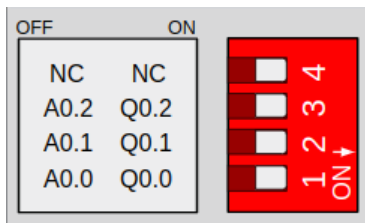
If it is desired to use an Analog Output the switch must be set to OFF and the pin that will provide this digital output is represented with AX.X, being X any number of the table above.

**\*IMPORTANT:** In D Zone, output A2.7 | Q2.7 is not connected.

### 9.3 Relay Shield Switches

| Relay Shield Switch |      |      |
|---------------------|------|------|
| Switch              | OFF  | ON   |
| NC                  | -    | -    |
| AX.2   QX.2         | AX.2 | QX.2 |
| AX.1   QX.1         | AX.1 | QX.1 |
| AX.0   QX.0         | AX.0 | QX.0 |

\*X can change depending on which zone we are in. Check the serigraphy in the PLC to know what number takes X.



We can see here an example switch from the B Zone (Notice that X takes value 0 here).

For the Relay Shield if a switch is set to ON, it can only act as Digital Output. If it is set to OFF it can only act as an Analog Output.

If it is desired to use a Digital Output the switch must be set to ON and the pin that will provide this digital output is represented with QX.X, being X any number of the tables above.

If it is desired to use an Analog Output the switch must be set to OFF and the pin that will provide this digital output is represented with AX.X, being X any number of the tables above.

**\*IMPORTANT:** In D Zone, output A2.2 | Q2.2 is not connected.

## 10 M-Duino Arduino I/Os 5V pins

The M-Duino has some of the Mega board pins available. These pins can be programmed according to Arduino features such as I/Os operating at 5V or any additional features present in the pins (for example I2C communication in pins SCL and SDA). As these pins are directly connected to the Arduino Mega board they are not as well protected as the normal inputs. These pins are mainly meant to be used as prototyping.

The Arduino board available pins are summarised in the table below. In order to access some of these pins the configuration switch must be set to OFF position (see [section 9](#)) and some extra considerations must be taken in consideration when using these pins.

| M-Duino terminal | Arduino pin | Enable Arduino pin        |
|------------------|-------------|---------------------------|
| SCL              | 21          | Communication switch: OFF |
| SDA              | 20          | Communication switch OFF  |
| RX0              | 0           |                           |
| TX0              | 1           |                           |
| RX               | 17          |                           |
| TX               | 16          |                           |
| MISO             | 50          |                           |
| MOSI             | 51          |                           |
| SCK              | 52          |                           |
| Pin 3            | 3           | Communication switch: OFF |
| Pin 2            | 2           | Communication switch: OFF |



**\*IMPORTANT:** Do not connect the terminals in the chart above to voltages higher than 5V. These terminals provide direct access to the Mega board.

Apart from the switch configuration there are some special conditions depending on these 5V. Now it is going to be shown the considerations to operate with these pins.

### 10.1 I2C pins – SDA/SCL

The I2C protocol is meant to work in a pull-up configuration. A pull-up configuration means that when the pin is at rest (nothing connected to it) it always reads a HIGH value. In this case it reads 5V when nothing is connected. The pull-up configuration is established by default in these pins.

If it is meant to use them as an internal arduino direct PIN at 5V, it has to be considered that they are pull-up inputs (2200Ω resistor is used in the internal pull-up).

## 10.2 Serial 0 – RX0/TX0

The Serial0 protocol can work also as a 5V pin. These pins should be used ultimately, only in case that all the 5V pins are already performing a function. This is because they are shared with the USB interface. If using these pins, the USB communication cannot be working at the same time.

When the PLC is not installed, the USB communication is normally required for debugging, uploading and intercommunicating with the Ethernet controller. If using both interfaces at the same time the Arduino board will get blocked.

These pins are not established with a pull-up or a pull-down configuration. The state of these pins is unknown. If these pins must be used, they require a pull-up or a pull-down configuration. The Arduino board allows the pins to be set in a pull-up configuration. If not it must be established as an external pull-up or pull-down circuit in order to correctly work with these pins.

## 10.3 SPI – MISO/MOSI/SCK

These pins can only work as 5V pins if the Ethernet protocol is not going to be used. As the Ethernet protocol uses the SPI to communicate with the Arduino board, both behaviours cannot happen at the same time as the Ethernet would not work.

These pins are not established with a pull-up or a pull-down configuration. The state of these pins is unknown. If these pins must be used, they require a pull-up or a pull-down configuration. The Arduino board allows the pins to be set in a pull-up configuration. If not it must be established as an external pull-up or pull-down circuit in order to correctly work with these pins.

## 10.4 Pin 2/Pin 3

To know how to configure these pins correctly, check [section 9](#).

These pins are not established with a pull-up or a pull-down configuration. The state of these pins is unknown. If these pins must be used, they require a pull-up or a pull-down configuration. The Arduino board allows the pins to be set in a pull-up configuration. If not it must be established as an external pull-up or pull-down circuit in order to correctly work with these pins.



## 11 A Zone Features: Communications & RTC & uSD

### 11.1 RS-232

The Arduino Mega function code to access the RS-232 port in the M-Duino is Serial2 (pins 16 and 17 of the Arduino Mega).

For the RS-232 communication protocol there isn't any switch that affects it. So it does not matter the configuration of the switches to implement a RS-232 communication.

Using the boards of Industrial Shields, there is a library that simplifies the RS-232 implementation.

Click [here](#)<sup>4</sup> or [here](#)<sup>5</sup> to see more about this communication.

### 11.2 RS-485

For RS485 communication protocol the defined Arduino Mega pins are shown in the chart below.

| Function | Arduino Pin |
|----------|-------------|
| DI       | 14          |
| RO       | 15          |
| RE       | 11          |
| DE       | 46          |

For the RS-485 communication protocol there is only one switch that affects this communication. The RS-485 protocol will be always enabled, the only switch that affects is the one called "FD rs-485 HD" (See [Section 9](#)). This switch makes the choice between RS-485 Half Duplex or RS-485 Full Duplex (RS-422).

Using the boards of Industrial Shields, there is a library that simplifies the RS-485 implementation.

Click [here](#)<sup>6</sup> or [here](#)<sup>7</sup> to see more about this communication.

<sup>4</sup> <https://www.industrialshields.com/blog/arduino-industrial-1/post/basics-about-rs232-of-an-industrial-plc-183>

<sup>5</sup> <https://www.industrialshields.com/blog/arduino-industrial-1/post/how-to-use-rs-232-on-industrial-arduino-based-plc-16>

<sup>6</sup> <https://www.industrialshields.com/blog/arduino-industrial-1/post/basics-about-rs-485-of-an-industrial-plc-195>

<sup>7</sup> <https://www.industrialshields.com/blog/arduino-industrial-1/post/how-to-connect-two-industrial-plcs-through-rs-485-213>

## 11.3 I2C

I2C communication **DOES NOT REQUIRE** a pull-up resistor for the M-Duino. The pull-up resistor is already implemented in the PCB.

I2C communication is configured by switches, so the switches must be configured in order to enable the I2C communication (See [section 9](#) for more information).

Industrial Shields does not provide any library to implement the I2C as it can be used with the standard library of Arduino called Wire.

Click [here](#)<sup>8</sup> to see more about this communication.

## 11.4 SPI

The M-Duino pins used for the SPI bus are summarised in the table below. For SPI bus MISO, MOSI and CLOCK pins are common to all the connected devices to the M-Duino, conversely, each of the connected devices will have a single and dedicated SS pin.

| Function | M-Duino connection                | Mega board pin      |
|----------|-----------------------------------|---------------------|
| MISO     | 50 S0                             | 50                  |
| MOSI     | 51 SI                             | 51                  |
| CLOCK    | 52 SCK                            | 52                  |
| Reset    | Reset                             | Reset               |
| SS       | SCL/SDA/RX0/TX0/RX3/TX3/Pin2/Pin3 | 21/20/1/0/15/14/2/3 |

Check the switch configuration at [section 9](#) to enable SS pins.

Click [here](#)<sup>9</sup> to see more about this communication.

## 11.5 TTL

M-Duino has two TTL ports, RX0/TX0, RX/TX. TTL0 is accessed with the function Serial (pins 0 and 1 of the Arduino Mega). TTL is accessed with the function Serial2 (pins 16 and 17 of the Arduino Mega). See [section 9](#) for more information.

<sup>8</sup> <https://www.industrialshields.com/blog/arduino-industrial-1/post/i2c-bus-on-plc-arduino-for-industrial-automation-192>

<sup>9</sup> <https://www.industrialshields.com/blog/arduino-industrial-1/post/bus-spi-on-plc-arduino-from-industrial-shields-191>

## 11.6 Ethernet

M-Duino Ethernet port controller is based on W5500 IC, which is the IC compatible with Arduino Ethernet2 Shield libraries. All Ethernet shield Arduino libraries are compatible with the M-Duino. In the M-Duino, W5500 IC communicates to the Mega board via SPI bus (SS Arduino Mega pin 10). Click [here](#)<sup>10</sup> and [here](#)<sup>11</sup> to see more about this communication.

## 11.7 RTC

M-Duino RTC Module is based on the DS1307 Chip. This chip works with the I2C protocol communication, so it is required to have enabled the I2C protocol. This means 4 switches have to be configured in order to enable the RTC features.

RTC SCL & RTC SDA must be set to ON mode to enable the I2C wires to the RTC. If they are in OFF mode, the Arduino won't communicate with the RTC. Look at [section 11.3](#) for more information.

Using the boards of Industrial Shields, there is a library that simplifies the RTC implementation called RTC. Click [here](#)<sup>12</sup> to see more about this feature.

## 11.8 uSD

The micro SD uses the SPI communication to interact with the Arduino Mega. The SPI protocol is always enabled, as there are no switches that configure it. However, there is a switch that must be placed to ON mode in order to communicate with the uSD:

SD: If this Switch is OFF, it enables the Chip Select of the microSD socket. If the switch is in ON mode the microSD can't be used. Check [section 9](#) for more information.

The uSD socket is found in the TOP part of the communication Shields, so in the frontal part of the PLC, it is required to open the plastic found in the frontal part and the socket is located under the supply of the Arduino.

Using the boards of Industrial Shields, there is a library that simplifies the uSD implementation called SD. It is the same as the Arduino library, with the only modification of using the pin 53 to select the Chip Select of the uSD chip. Click [here](#)<sup>13</sup> to see more about this feature.

---

<sup>10</sup> <https://www.industrialshields.com/blog/arduino-industrial-1/post/modbus-tcp-master-with-industrial-arduino-esp32-plcs-103>

<sup>11</sup> <https://www.industrialshields.com/blog/arduino-industrial-1/post/how-to-use-modbus-tcp-slave-library-with-a-plc-controller-arduino-105>

<sup>12</sup> <https://www.industrialshields.com/blog/arduino-industrial-1/post/rtc-test-on-m-duino-plus-version-51>

<sup>13</sup> <https://www.industrialshields.com/blog/arduino-industrial-1/post/basics-with-sd-card-in-an-industrial-plc-167>



**Verify that the CPU is not actively running a process before inserting the memory card.**

Inserting a memory card will cause the CPU to go to STOP mode, which could affect the operation of an online process or machine. Unexpected operation of a process or machine could result in death or injury to personnel and/or property damage. Before inserting a memory card, always ensure that the CPU is offline and in a safe state.



**Vérifiez que le processeur n'exécute pas activement un processus avant d'insérer la carte mémoire.**

Si vous insérez une carte mémoire, la CPU passe en mode STOP, ce qui peut affecter le fonctionnement d'un processus ou d'une machine en ligne. Le fonctionnement inattendu d'un processus ou d'une machine peut entraîner la mort ou des blessures corporelles et / ou des dégâts matériels. Avant d'insérer une carte mémoire, assurez-vous toujours que la CPU est hors ligne et en sécurité.

## 11.9 WiFi & BLE

The WiFi and Bluetooth integrated module consists of a single 2.4 GHz Wi-Fi and Bluetooth combo chip designed with the TSMC ultra-low-power, 40 nm technology. It is designed to achieve the best power and RF performance, showing robustness, versatility and reliability in a wide variety of applications and power scenarios. Some applications are Generic Low-power IoT Sensor Hub, Generic Low-power IoT Data Loggers and Mesh Network.

It is designed for Internet-of-Things (IoT) applications.

### 11.9.1 General Specifications:

#### Wi-Fi

- 802.11 b/g/n
- 802.11 n (2.4 GHz), up to 150 Mbps

#### Bluetooth

- Bluetooth 4.2 BR/EDR BLE dual-mode controller
- +12 dBm transmitting power
- NZIF receiver with -97 dBm BLE sensitivity

## 11.9.2 WiFi & Bluetooth Module Configuration

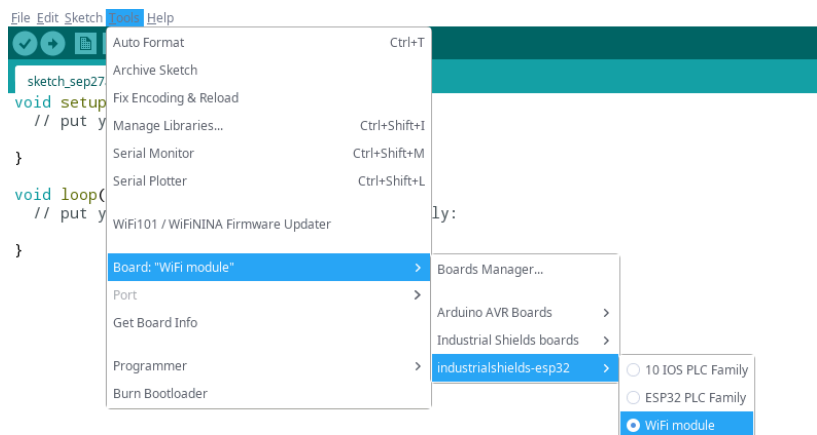
In order to configure the WiFi & BLE module, you must connect it to a PC. To connect it you will need a micro USB to USB cable.

The slot for the micro USB input is located on the right side of your equipment.

To load the program into the ESP32 you have to use the appropriate board. For that, update our board to the latest version. Go to *Tools -> Board -> Boards Manager*. Search by **industrialshields-esp32**.



Now you are able to install the board. Go to *Tools -> Boards -> industrialshields-esp32 -> WiFi module*.



The internal connection between the ESP32 module and the Arduino Mega is the following:

| <b>Arduino Mega Pinout</b> | <b>ESP32 Pinout</b> |
|----------------------------|---------------------|
| 5Vdc                       | Vcc                 |
| GND                        | GND                 |
| Tx1 (Pin 18)               | TxD                 |
| Rx1 (Pin 19)               | RxD                 |

WiFi and Bluetooth are always enabled as there are no switches that configure it. The WiFi and Bluetooth module uses Serial1 for communication.

More information:

<https://www.industrialshields.com/blog/arduino-industrial-1/post/esp32-bluetooth-ble-wifi-133>

## 12 Examples

### 12.1 Communication system between M-Duino and WiFi module

As seen in the [chart](#) above, a Serial TTL communication is used to interact between Arduino Mega 2560 board and ESP32 module. In this [blog](#)<sup>14</sup>, an introduction to this communication between modules is done using an example code.

### 12.2 How to connect your ESP based PLC to Wi-Fi

If having problems connecting your ESP32 based PLC to Wi-Fi, follow this other [blog](#)<sup>15</sup>. There you can find a brief description of the code provided and also an explanation about how the ESP32 board and the Arduino shield are connected to each other.

### 12.3 Interact with M-Duino WiFi/BLE PLC via Bluetooth

To learn how to work with BLE from the ESP32 board, follow the instructions on this [blog](#)<sup>16</sup>. In it, a useful example of usage of the BLE feature is explained. In addition, communication between the M-Duino board and the ESP32 is also covered in the blog.

---

<sup>14</sup>

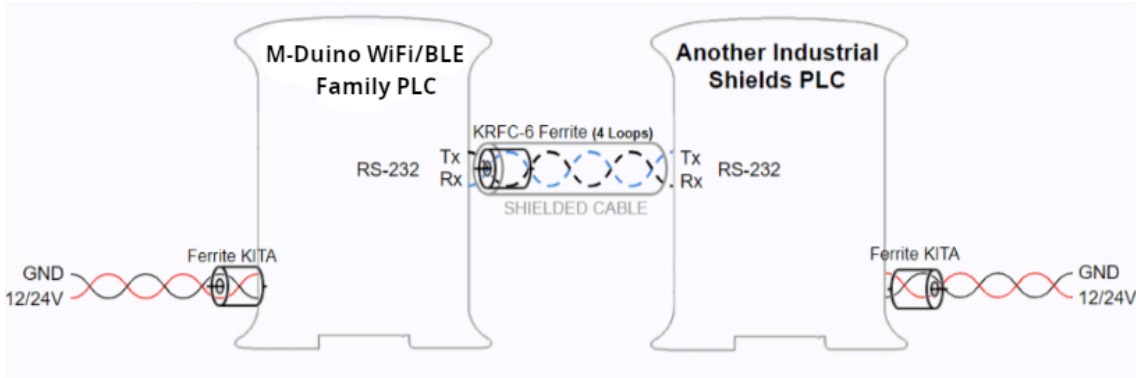
<https://www.industrialshields.com/blog/arduino-industrial-1/post/communication-system-between-m-duino-and-wifi-module-148>

<sup>15</sup> <https://www.industrialshields.com/blog/arduino-industrial-1/post/how-to-connect-your-esp32-based-plc-to-wi-fi-452>

<sup>16</sup> <https://www.industrialshields.com/blog/arduino-industrial-1/post/interact-with-m-duino-wifi-ble-plc-via-bluetooth-480>

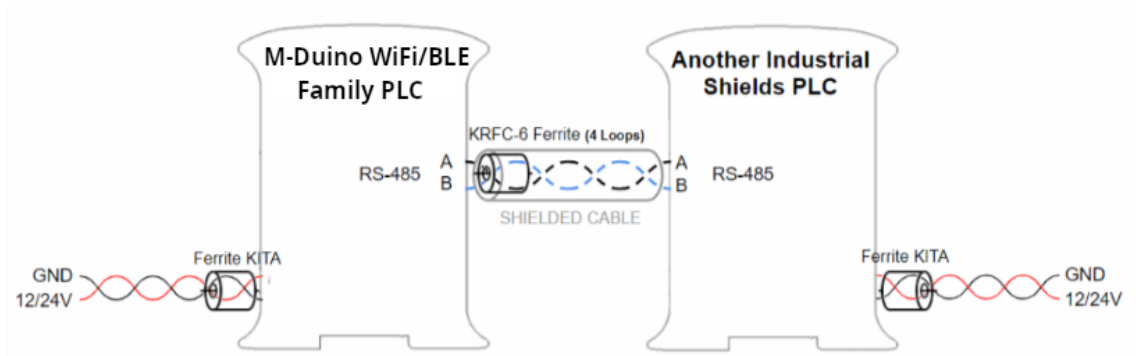
## 13 Instructions for interconnection between Industrial Shields controllers

### 13.1 RS-232 Communication:

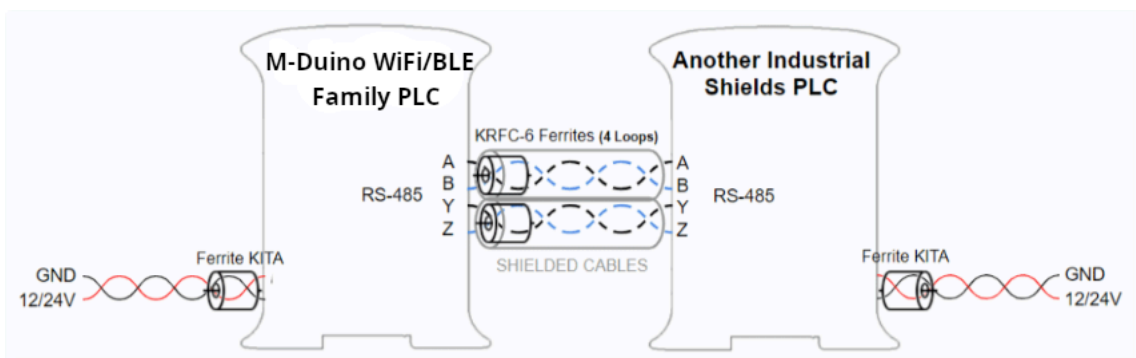


### 13.2 RS-485 Communication:

#### 13.2.1 Half Duplex

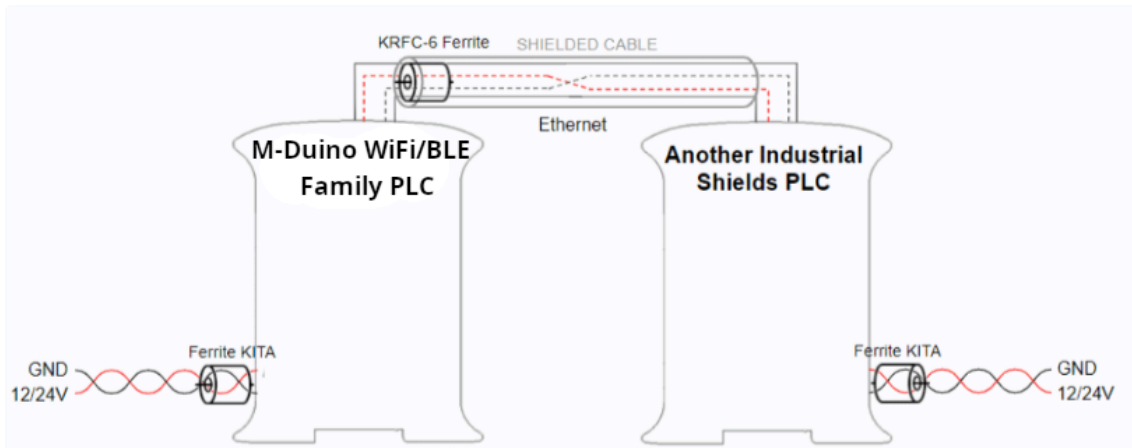


#### 13.2.2 Full Duplex





### 13.3 Ethernet



For Ethernet communication between Industrial Shields equipment a **SFTP CAT-6 Ethernet crossover cable** must be used.

### 14 Digital inputs threshold detection

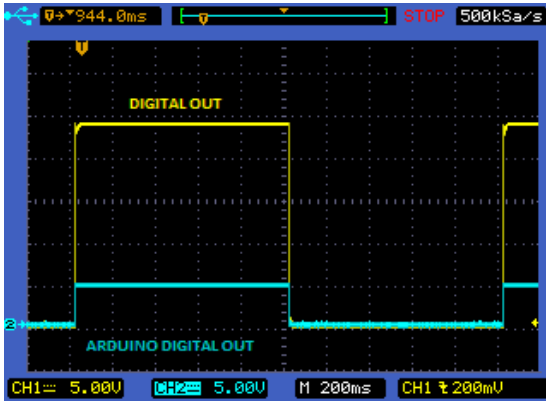
The M-Duino inputs have a minimum voltage threshold to reliably detect the signal when used as digital input. The threshold value is different depending on the input type:

| Input type    | Threshold voltage (V) |
|---------------|-----------------------|
| Digital input | 4                     |
| Analog input  | 5.1                   |

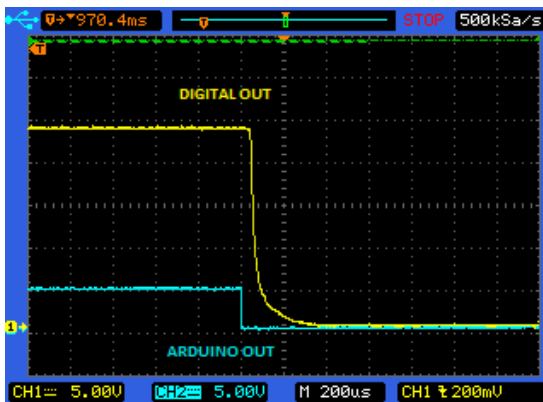
## 15 I/O technical details

A comparison between the waveforms of the I/Os from the M-Duino WiFi/BLE Family PLC and the Arduino Mega is done in this section.

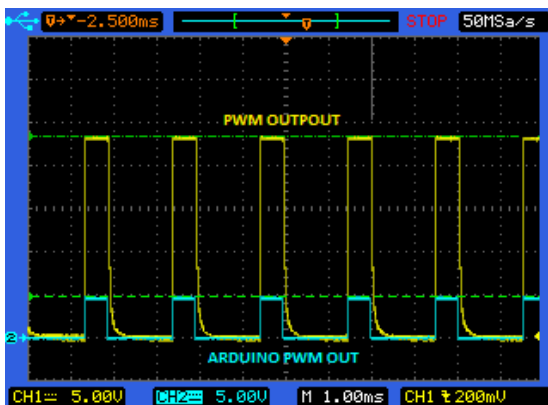
Digital Output Waveform:



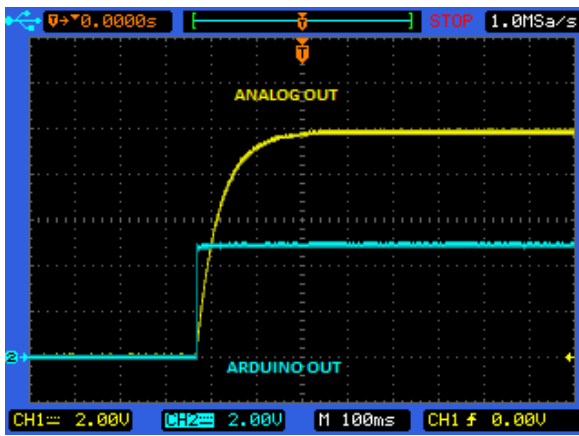
Digital Output Turn-off:



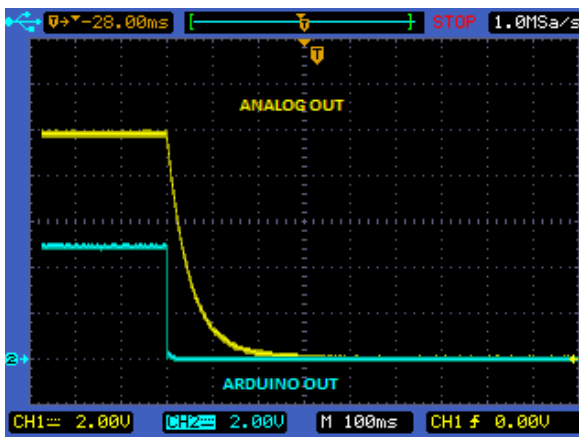
PWM Waveform:



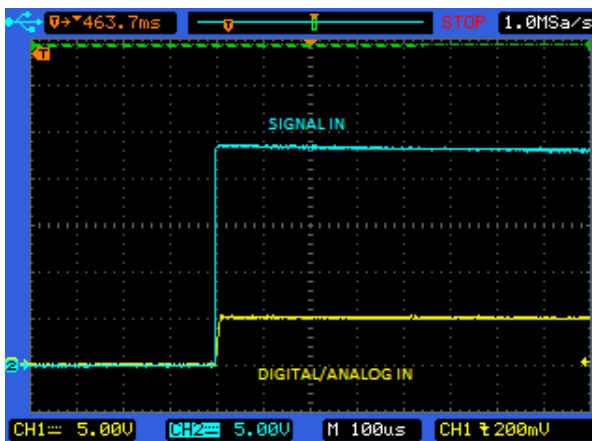
Analog Out Turn-On:



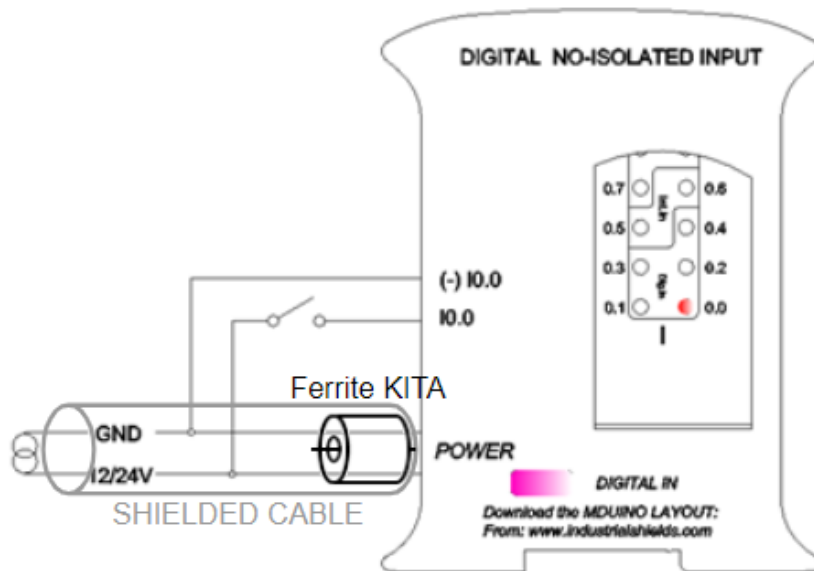
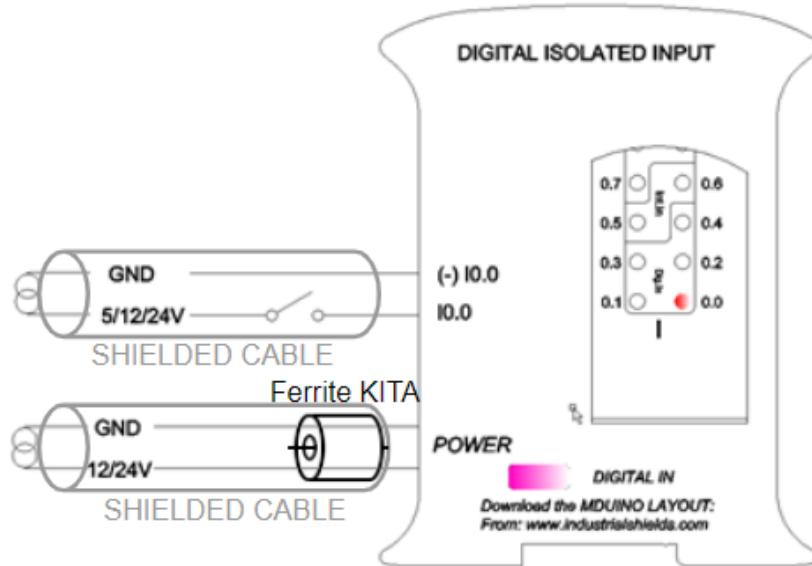
Analog Out Turn-Off:

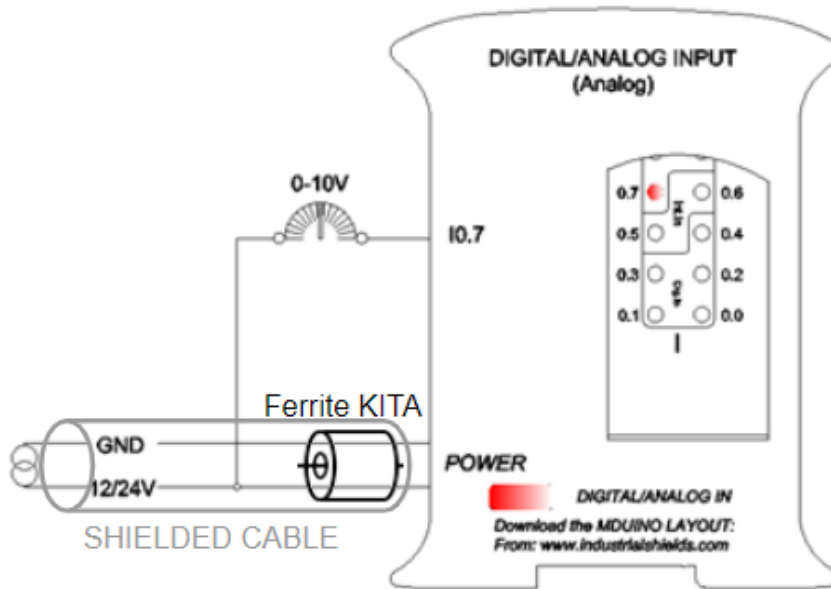
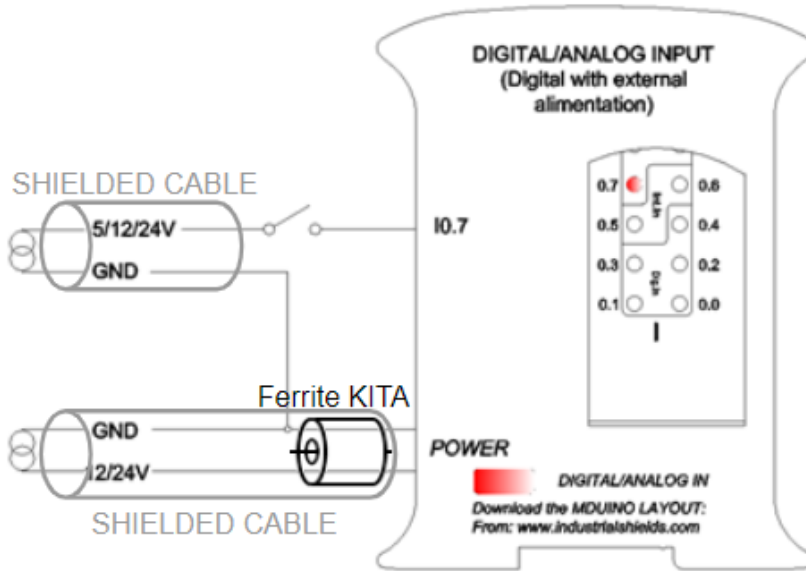


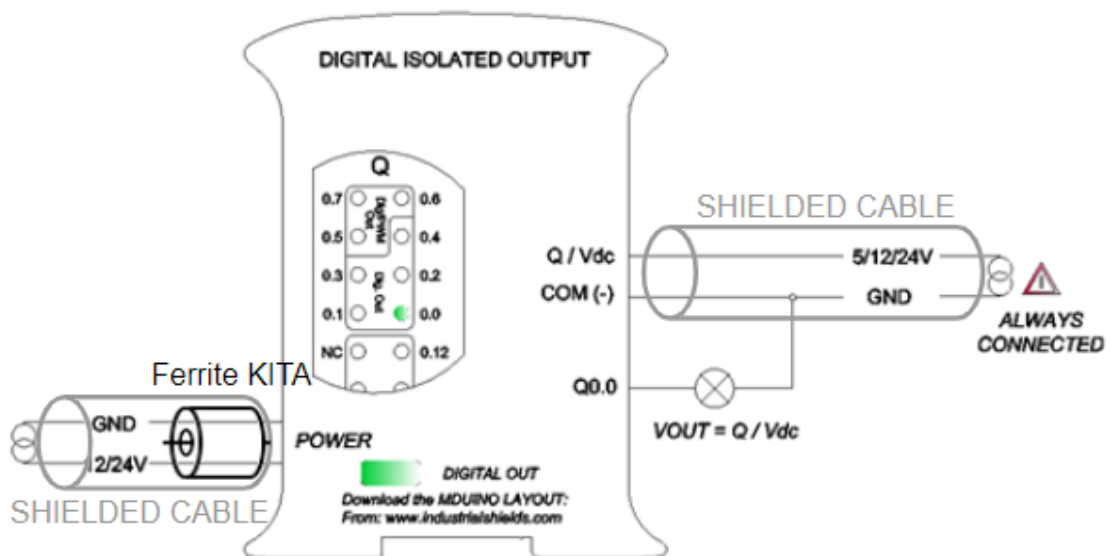
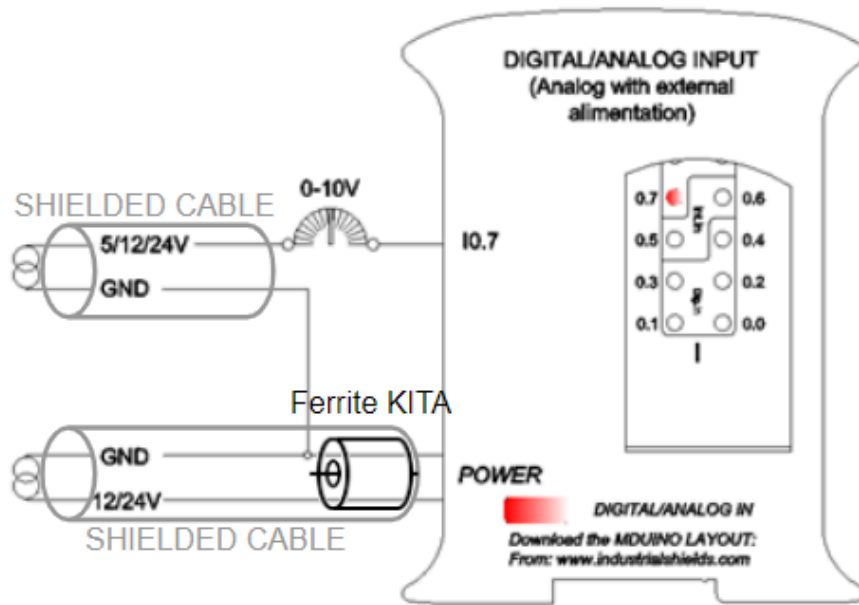
Analog /Digital input Turn-on:

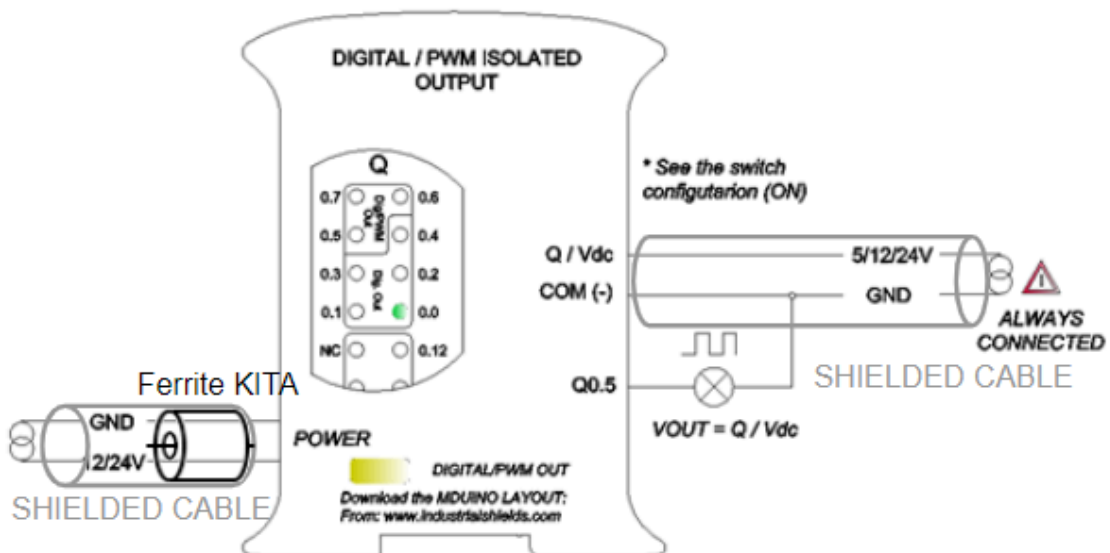
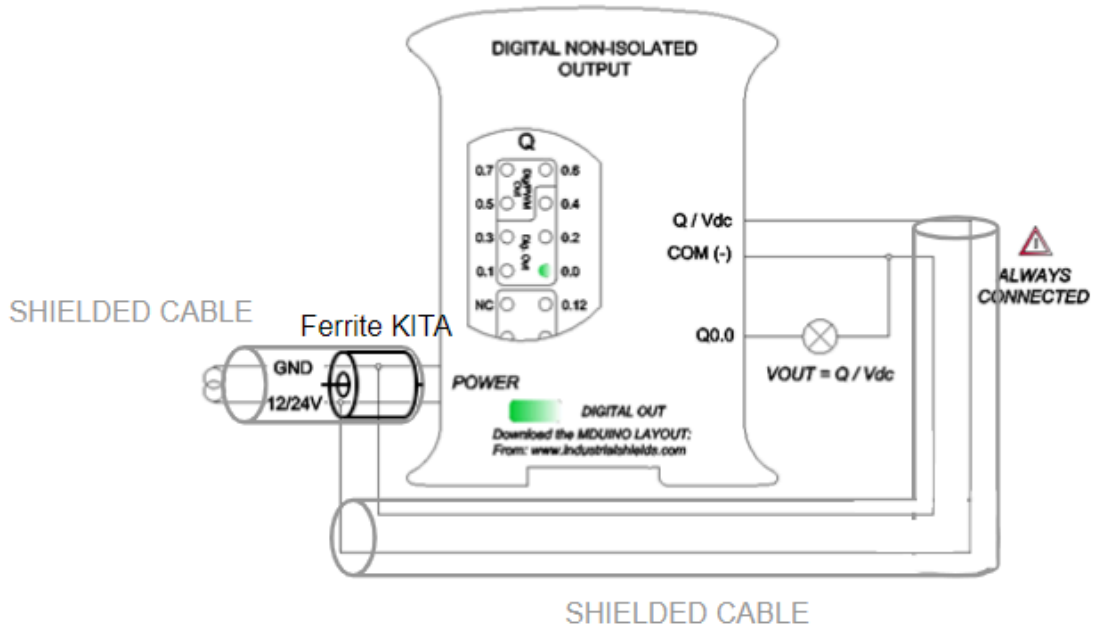


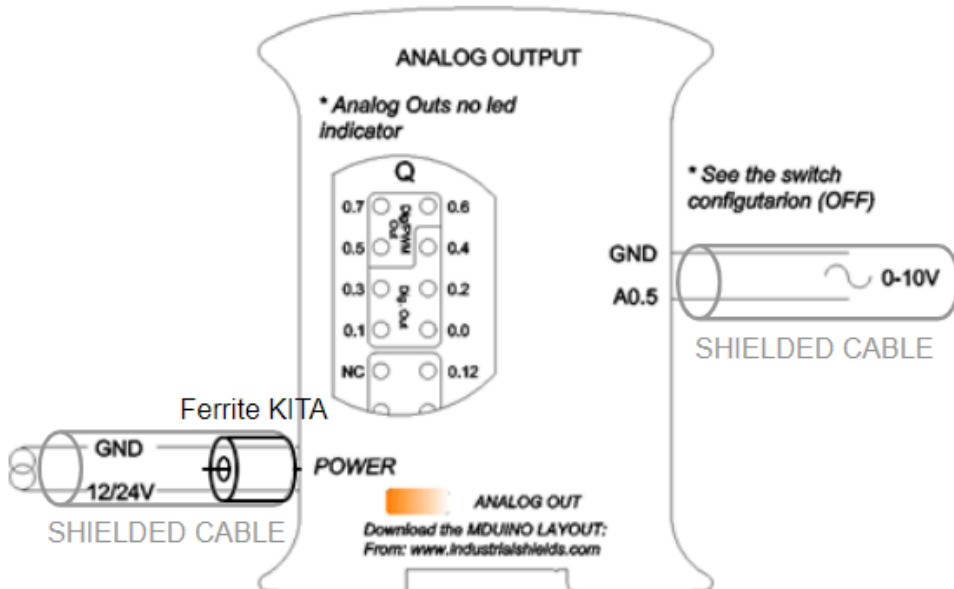
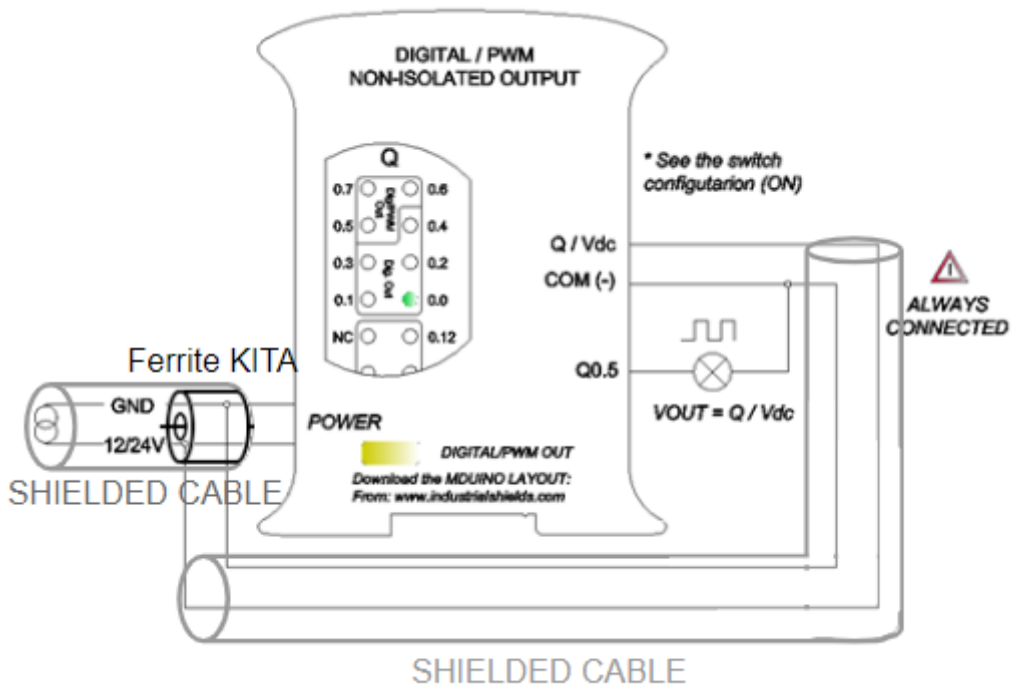
## 16 Typical Connections













## 17 Connector details

The connector inside the PLCs that mounts on the PCB is [MC 0,5/10-G-2,5 - 1881529](#)<sup>17</sup> connector from Phoenix contact.

In the PLC we can find other connectors too, and these are the references for them:

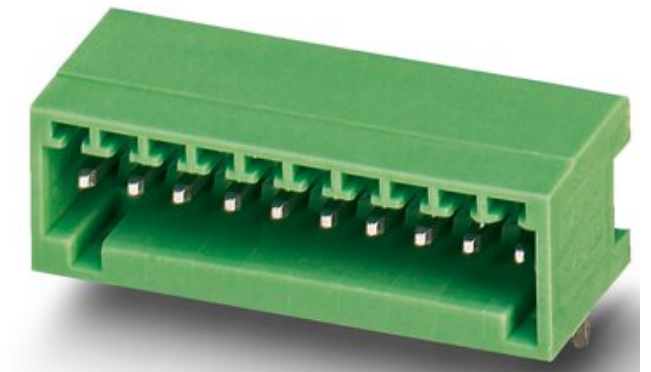
MC 0,5/ 4-G-2,5 - 1881464

MC 0,5/ 6-G-2,5 - 1881480

MC 0,5/ 9-G-2,5 - 1881516

Connection details (10 pins):

|                          |                           |
|--------------------------|---------------------------|
| <b>Article reference</b> | MC 0,5/10-G-2,5 - 1881529 |
| <b>Height</b>            | 8.1 mm                    |
| <b>Pitch</b>             | 2.5 mm                    |
| <b>Dimension</b>         | 22.5 mm                   |
| <b>Pin dimensions</b>    | 0.8 x 0.8 mm              |
| <b>Pin spacing</b>       | 2.5 mm                    |



<sup>17</sup> <https://www.phoenixcontact.com/en-us/products/pcb-header-mc-0510-g-25-1881529>

For I/O and power supply there is a [FK-MC 0,5/10-ST-2,5 - 1881406](#)<sup>18</sup> connector from Phoenix contact.

In the PLC we can find other connectors too, and these are the references for them:

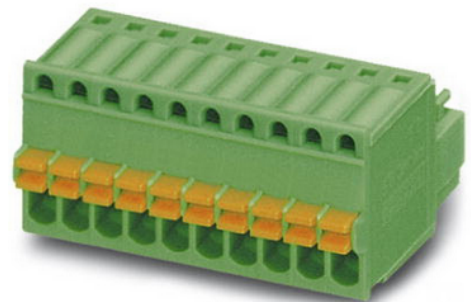
FK-MC 0,5/ 4-ST-2,5 - 1881341

FK-MC 0,5/ 6-ST-2,5 - 1881367

FK-MC 0,5/ 9-ST-2,5 - 1881396

Connection details (10 pins):

| Article reference                     | FK-MC 0,5/10-ST-2,5  |
|---------------------------------------|----------------------|
| <b>Rigid conduit section min.</b>     | 0,14 mm <sup>2</sup> |
| <b>Rigid conduit section max.</b>     | 0,5 mm <sup>2</sup>  |
| <b>Flexible conduit section min.</b>  | 0,14 mm <sup>2</sup> |
| <b>Flexible conduit section max.</b>  | 0,5 mm <sup>2</sup>  |
| <b>Conduit section AWG/kcmil min.</b> | 26                   |
| <b>Conduit section AWG/kcmil max.</b> | 20                   |



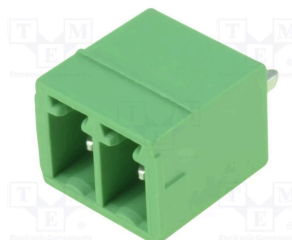
<sup>18</sup>

[https://es.farnell.com/phoenix-contact/fk-mc-0-5-10-st-2-5/plug-libre-muelle-2-5-mm-10-v/dp/1792814?CMP=KNC-GES-GEN-KWL-PDP-High-Aov-phoenix-contact-15-July-22&mckv=\\_dc%7Cpcrid%7C603873204419%7C&gclid=Cj0KCQjw\\_vjWBhD8ARIsAH1mCd4jzLvIJs5K\\_3lEpaW5Anqo3FBLu1TwiPFtyKaiP-rj4LSly67bWoaAuLnEALw\\_wcB](https://es.farnell.com/phoenix-contact/fk-mc-0-5-10-st-2-5/plug-libre-muelle-2-5-mm-10-v/dp/1792814?CMP=KNC-GES-GEN-KWL-PDP-High-Aov-phoenix-contact-15-July-22&mckv=_dc%7Cpcrid%7C603873204419%7C&gclid=Cj0KCQjw_vjWBhD8ARIsAH1mCd4jzLvIJs5K_3lEpaW5Anqo3FBLu1TwiPFtyKaiP-rj4LSly67bWoaAuLnEALw_wcB)

We can also find the relay connectors.

[MCV 1,5/ 2-G-3,81 1803426](#)<sup>19</sup> is the female connector, and [MC 1,5/ 2-ST-3,81, GTIN UPC](#)<sup>20</sup> is the male one. Both are from Phoenix Contact.

|                          |                           |
|--------------------------|---------------------------|
| <b>Article reference</b> | MCV 1,5/ 2-G-3,81 1803426 |
| <b>Height</b>            | 12.6 mm                   |
| <b>Pitch</b>             | 3.81 mm                   |
| <b>Dimension a</b>       | 3.81 mm                   |
| <b>Pin dimensions</b>    | 0.8 x 0.8 mm              |



|                          |                             |
|--------------------------|-----------------------------|
| <b>Article reference</b> | MC 1,5/ 2-ST-3,81 - 1803578 |
| <b>Height</b>            | 11.1 mm                     |
| <b>Pitch</b>             | 3.81 mm                     |
| <b>Dimension a</b>       | 3.81 mm                     |



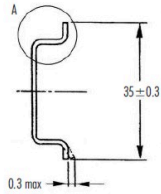
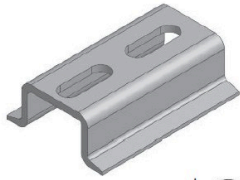
<sup>19</sup>

[https://www.tme.eu/es/details/mcv1.5\\_2-g-3.81/bloque-de-bornas-extraibles/phoenix-contact/mcv-1-5-2-g-3-81-1803426/?brutto=1&currency=EUR&gclid=Cj0KCQjw\\_vjWBhD8ARIsAH1mCd763F0sGBmfjy5pmZm9dKysA6ePciWt8md8utGsZX1OfLpgsBx4mnoaAo9GELw\\_wcB](https://www.tme.eu/es/details/mcv1.5_2-g-3.81/bloque-de-bornas-extraibles/phoenix-contact/mcv-1-5-2-g-3-81-1803426/?brutto=1&currency=EUR&gclid=Cj0KCQjw_vjWBhD8ARIsAH1mCd763F0sGBmfjy5pmZm9dKysA6ePciWt8md8utGsZX1OfLpgsBx4mnoaAo9GELw_wcB)

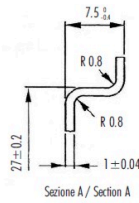
<sup>20</sup>

[https://es.farnell.com/phoenix-contact/1803578/terminal-block-pluggable-2pos/dp/3704907?gclid=Cj0KCQjw\\_vjWBhD8ARIsAH1mCd6YjA37NqmaafFBXgbRyGExfAM8qDodVOWZPFyLLQhnVygDn8ufNslaAmgYELw\\_wcB&mckv=\\_dc%7Cpcrid%7C575710444791%7Cplid%7C%7Ckword%7C%7Cmatch%7C%7Cslid%7C%7Cproduct%7C3704907%7Cpgrid%7C131987845643%7Cptaid%7Cpla-372506228807&CMP=KNC-GES-GEN-SMART-SHOPPING-High-Jan-2022&gross\\_price=true](https://es.farnell.com/phoenix-contact/1803578/terminal-block-pluggable-2pos/dp/3704907?gclid=Cj0KCQjw_vjWBhD8ARIsAH1mCd6YjA37NqmaafFBXgbRyGExfAM8qDodVOWZPFyLLQhnVygDn8ufNslaAmgYELw_wcB&mckv=_dc%7Cpcrid%7C575710444791%7Cplid%7C%7Ckword%7C%7Cmatch%7C%7Cslid%7C%7Cproduct%7C3704907%7Cpgrid%7C131987845643%7Cptaid%7Cpla-372506228807&CMP=KNC-GES-GEN-SMART-SHOPPING-High-Jan-2022&gross_price=true)

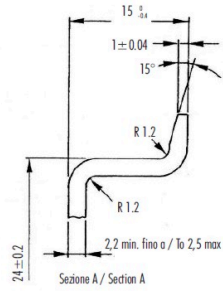
## 18 DIN Rail mounting



Profilato a cappello TH 35-7,5  
Top hat rail TH 35-7,5



Profilato a cappello TH 35-15  
Top hat rail TH 35-15



| CARATTERISTICHE                  | METODO                                 | UNITA' DI MISURA | BLENDE PC/ABS     |               |
|----------------------------------|--|------------------|-------------------|---------------|
| <b>Meccaniche</b>                | Resistenza a trazione allo staccamento | ASTM D638        | MPa               | 68            |
|                                  | Resistenza a trazione a rottura        | ASTM D638        | MPa               | 48            |
|                                  | Allungamento a rottura                 | ASTM D638        | %                 | 59            |
|                                  | Modulo in flessione                    | ASTM D790        | MPa               | 2894          |
| <b>Termiche</b>                  | Proof Load con intaglio                | ISO 180/14       | KJ/m <sup>2</sup> | 5.5           |
|                                  | Temp. di rammolimento Visc. metodo B   | ASTM D1525       | °C                | 114           |
| <b>Fisiche</b>                   | Temperatura Kromit 1.81 MPa            | ASTM D648        | °C                | 97            |
|                                  | Peso specifico                         | ASTM D792        | g/cm <sup>3</sup> | 1.21          |
|                                  | Dist. nello stampo                     | ASTM D955        | %                 | 0.4/0.6       |
| <b>Comportamento alla fiamma</b> | Melt Flow Index 240°C - 98N            | ASTM D1238       | g/10'             | 11.1          |
|                                  | Filo Incondens. 3.2 mm                 | IEC6052.1        | °C                | V-0 (0.8) 960 |

Italtronic si riserva il diritto di modificare il materiale con cui realizza i propri prodotti senza obbligo di preavviso.

| FEATURES               | TEST METHOD                           | UNITS      | BLENDE PC/ABS     |               |
|------------------------|---------------------------------------|------------|-------------------|---------------|
| <b>Mechanical test</b> | Resistance to tensile stress at yield | ASTM D638  | MPa               | 68            |
|                        | Tensile strength                      | ASTM D638  | MPa               | 48            |
|                        | Ultimate elongation                   | ASTM D638  | %                 | 59            |
|                        | Flexing modulus                       | ASTM D790  | MPa               | 2894          |
| <b>Thermal test</b>    | load test notched                     | ISO 180/14 | KJ/m <sup>2</sup> | 5.5           |
|                        | Visc softening temperature method B   | ASTM D1525 | °C                | 114           |
| <b>Physical test</b>   | Rolling temperature 1.81 MPa          | ASTM D648  | °C                | 97            |
|                        | Specific gravity                      | ASTM D792  | g/cm <sup>3</sup> | 1.21          |
|                        | Mold shrinkage                        | ASTM D955  | %                 | 0.4/0.6       |
| <b>Flame test</b>      | Melt Flow Index 240°C - 98N           | ASTM D1238 | g/10'             | 11.1          |
|                        | Self extinguisher (thickness in mm)   | IEC6052.1  | °C                | V-0 (0.8) 960 |

Italtronic can operate any change of the materials without being obliged to forewarn.

**For optimal operation of the product, it must be located in an electrical cabinet with IK08 mechanical protection. The minimum IP protection degree required is IP56.**

## 19 Installation and Maintenance

### Notes for installation:

- The installation position should be free from the following: dust or oil smoke, conductive dust, corrosive or flammable gas, high temperature, condensation, and rain.
- Besides, vibration and impact also affect the PLC normal operation and shorten its lifespan; electric shock, fire or misact also damages the product. During drilling or wiring, prevent the metal particles or wire segments from falling into the PLC casing, which may cause fire, fault or misact.
- After the PLC installation, clean the ventilation duct to prevent blocking, which may cause bad ventilation, or even fire, faults or misact.
- Do not online connect, plug or unplug cables, which are apt to cause electric shock or damage the circuit. Installation and wire connection must be firm and reliable. Poor connection could cause misact.
- Use shielded twisted pair for the I/O of high frequency signal and analog signal to improve system IMS.

The installation environment should be free from dust, oil smoke, conductive particles, corrosive or flammable gases, high temperature, condensation, and rain.

Besides, vibration and impact also affect the PLC normal operation and shorten its lifespan. It is recommended to install the PLC, together with the matching switches and contactors, in a dedicated electric cabinet and keep the cabinet ventilated. If the location has high ambient temperature or heat generating equipment nearby, install forced convection devices on top or sides of the cabinet to avoid over-temperature. During drilling or wiring, prevent the metal particles or wire segments from falling into the PLC casing, which may cause fire, fault or misact. After the PLC installation, clean the ventilation duct to prevent blocking, which may cause bad ventilation, or even fire, faults or misact.

The only way to disconnect the equipment from the electrical network is by removing the connectors that feed the equipment. Once installed in the electrical cabinet it is very important to ensure the power connectors for proper operation.

### Separate the M-Duino Family PLC from heat, high voltage and electrical noise:

Always separate the devices that generate high voltage and high electrical noise from the M-Duino. When configuring the layout of the M-Duino inside your panel, consider the heat-generating devices and locate the electronic-type devices in the cooler areas of your cabinet. Reducing the exposure to a high-temperature environment will extend the operating life of any electronic device. Consider also the routing of the wiring for the devices in the electric cabinet. Avoid placing low-voltage signal wires and communications cables in the same tray with AC power wiring and high energy, rapidly-switched DC wiring.

Provide adequate clearance for cooling and wiring M-Duino. Is designed for natural convection cooling. For proper cooling, you must provide a clearance of at least 25 cm above and below the devices. Also, allow at least 25 cm of depth between the front of the modules and the inside of the enclosure.

### Notes for maintenance:

A well-planned and executed maintenance program is essential to the satisfactory operation of solid-state electrical equipment. The kind and frequency of the maintenance operation will vary with the kind and complexity of the equipment as well as with the nature of the operating conditions. Maintenance recommendations of the manufacturer or appropriate product standards should be followed.

The following factors should be considered when formulating a maintenance program:

- Maintenance must be performed by qualified personnel familiar with the construction, operation, and hazards involved with the control.
- Maintenance should be performed with the control out of operation and disconnected from all sources of power.
- Care should be taken when servicing electrostatic sensitive components. The manufacturer's recommendations for these components should be followed.
- Ventilation passages should be kept open. If the equipment depends upon auxiliary cooling, e.g., air, water, or oil, periodic inspection (with filter replacement when necessary) should be made of these systems.
- The means employed for grounding or insulating the equipment from ground should be checked to assure its integrity.
- Accumulations of dust and dirt on all parts, including on semiconductor heat sinks, should be removed according to the manufacturer's instructions, if provided; otherwise, the manufacturer should be consulted. Care must be taken to avoid damaging any delicate components and to avoid displacing dust, dirt, or debris in a way that permits it to enter or settle into parts of the control equipment.
- Enclosures should be inspected for evidence of deterioration. Accumulated dust and dirt should be removed from the top of the enclosures before opening doors or removing covers.
- Certain hazardous materials removed as part of maintenance or repair procedure (e.g., polychlorinated biphenyls (PCBs) found in some liquidfilled capacitors) must be disposed of as described in Federal regulations.

### Safety rules for maintenance personnel

Consider the following steps to follow. A false manoeuvre could be the cause of an accident or material damage.

Do not disassemble or modify the modules. This could lead to breakdowns or malfunctions and could lead to injuries or fire.

- All types of radio communication devices, including mobile phones and personal handy-phone systems (PHS), must be kept more than **25 cm** away from the PLC in all directions. Failure to observe this precaution exposes malfunctions caused by an excess of temperature.
- Disconnect the external power supply of the system (on all phases) before connecting or disconnecting a module. Failure to observe this precaution may cause faults or malfunctions of the module.
- Tighten the screws of the terminal ports and the screws of the connectors within the prescribed tightening torque. Insufficient tightening can lead to loose parts or wires

and cause malfunctions. Excessive tightening can damage the screws and / or the module, with the risk of falling, short circuits and malfunctions.

- Before handling a module, dispose of the electrostatic charge accumulated by the human body by touching a suitable conductive object. Failure to observe this precaution may cause faults or malfunctions of the module.

**Repair note:**

- If the equipment is suitable to be repaired, it must be verified that the equipment remains in a safe state after repair.

## 20 Revision Table

| Revision Number | Date       | Changes   |
|-----------------|------------|---|
| 0               | 26/07/2019 | First implementation                                  |
| 1               | 02/03/2020 | Second implementation                                 |
| 2               | 08/06/2022 | Third implementation                                  |
| 3               | 30/09/2022 | M-Duino WiFi/BLE Family User Manual Implementation    |
| 4               | 11/03/2024 | Added section 14 "Digital inputs threshold detection" |
| 5               | 26/09/2024 | Added section 3.4 ("Isolation Precautions")           |
| 6               | 03/12/2024 | Removed wrong IORef pin reference                     |

About Industrial Shields:

Direction: Camí del Grau, nº25

Zip/Postal Code: 08272

City: Sant Fruitós de Bages (Barcelona)

Country: Spain

Telephone: (+34) 938 760 191 / (+34) 635 693 611

Mail: [industrialshields@industrialshields.com](mailto:industrialshields@industrialshields.com)





INDUSTRIAL SHIELDS

## M-DUINO DALI PLC ARDUINO FAMILY

M-DUINO DALI PLC ARDUINO  
FAMILY



# PLC M-Duino DALI Family User Guide

**Revised December 2024**

## Preface

This User Guide has been implemented by Boot & Work, S.L. working under the name Industrial Shields.

### Purpose of the manual

The information contained in this manual can be used as a reference to operating, to functions, and to the technical data of the signal modules, power supply modules and interface modules.

### Intended Audience

This User Guide is intended for the following audience:

- Persons in charge of introducing automation devices.
- Persons who design automation systems.
- Persons who install or connect automation devices.
- Persons who manage working automation installation.



#### Warnings:

- Unused pins should not be connected. Ignoring the directive may damage the controller.
- Improper use of this product may severely damage the controller.
- Refer to the controller's User Guide regarding wiring considerations.
- Before using this product, it is the responsibility of the user to read the product's User Guide and all accompanying documentation.
- Maintenance must be performed by qualified personnel familiarised with the construction, operation, and hazards involved with the control.
- Maintenance should be performed with the control out of operation and disconnected from all sources of power.
- Care should be taken when servicing electrostatic sensitive components. The manufacturer's recommendations for these components should be followed.

- The M-Duino DALI Family PLCs are Open Type Controllers. It is required that you install the M-Duino DALI PLC in a housing, cabinet, or electric control room. Entry to the housing, cabinet, or electric control room should be limited to authorised personnel. Failure to follow these installation requirements could result in severe personal injury and/or property damage. Always follow these requirements when installing M-Duino family PLCs.
- In case of installation or maintenance of the M-Duino please follow the instructions marked in the Installation and Maintenance section.
- Do not disconnect equipment when a flammable or combustible atmosphere is present. Disconnection of equipment when a flammable or combustible atmosphere is present may cause a fire or explosion which could result in death, serious injury and/or property damage.



### Avertissements

- Les broches non utilisées ne doivent pas être connectées. Ignorer la directive peut endommager le contrôleur.
- Une utilisation incorrecte de ce produit peut endommager gravement le contrôleur.
- Reportez-vous au Guide de l'utilisateur du contrôleur pour les considérations de câblage.
- Avant d'utiliser ce produit, il incombe à l'utilisateur de lire le Guide de l'utilisateur du produit et la documentation qui l'accompagne.
- La maintenance doit être effectuée par personnel qualifié familiarisé avec la fabrication, le fonctionnement et les dangers liés au contrôleur.
- La maintenance doit être effectuée avec l'équipement hors service et déconnectée de toutes les sources d'alimentation.
- Faites attention lors de l'entretien des composants sensibles à l'électricité statique. Les recommandations du fabricant pour ces composants doivent être suivies.
- Les automates de la famille M-Duino sont des contrôleurs de type ouvert. Il est nécessaire d'installer l'automate M-Duino dans un boîtier, une armoire ou une salle de contrôle électrique. L'accès au boîtier, à l'armoire ou à la salle de commande électrique doit être limité au personnel autorisé. Le non-respect de ces exigences d'installation peut entraîner des blessures graves et/ou des dommages matériels importants. Respectez toujours ces exigences lors de l'installation des automates de la famille M-Duino.
- En cas d'installation ou de maintenance du M-Duino, veuillez suivre les instructions indiquées dans la section Installation et Maintenance.
- Ne débranchez pas l'équipement en présence d'une atmosphère inflammable ou combustible. La déconnexion de l'équipement en présence d'une atmosphère inflammable ou combustible peut provoquer un incendie ou une explosion pouvant entraîner la mort, des blessures graves et/ou des dommages matériels.

## Application Considerations and Warranty

### Read and understand this manual

Please read and understand this manual before using the product. Please consult your comments or questions to Industrial Shields before using the product.

### Application Consideration

THE PRODUCTS CONTAINED IN THIS DOCUMENT ARE NOT SAFETY RATED. THEY SHOULD NOT BE RELIED UPON AS A SAFETY COMPONENT OR PROTECTIVE DEVICE FOR ENSURING SAFETY OF PERSONS, AS THEY ARE NOT RATED OR DESIGNED FOR SUCH PURPOSES.

Please know and observe all prohibitions of use applicable to the products.

FOR AN APPLICATION INVOLVING SERIOUS RISK TO LIFE OR PROPERTY WITHOUT ENSURING THAT THE SYSTEM AS A WHOLE HAS BEEN DESIGNED TO ADDRESS THE RISKS, NEVER USE THE INDUSTRIAL SHIELDS PRODUCTS.

NEVER USE THE INDUSTRIAL SHIELDS PRODUCTS BEFORE THEY ARE PROPERLY RATED AND INSTALLED FOR THE INTENDED USE WITHIN THE OVERALL EQUIPMENT OR SYSTEM.

Industrial Shields shall not be responsible for conformity with any codes, regulations or standards that apply to the combination of products in the customer's application or use of the product.

The following are some examples of applications for which particular attention must be given. This is not intended to be an exhaustive list of all possible uses of the products, nor is it intended to imply that the uses may be suitable for the products:

- Systems, machines, and equipment that could present a risk to life or property.
- Nuclear energy control systems, combustion systems, railroad systems, aviation systems, medical equipment, amusement machines, vehicles, safety equipment, and installation subject to separate industry or government regulations.
- Outdoor use, uses involving potential chemical contamination or electrical interference, or conditions or uses not described in this document.

At the customer's request, INDUSTRIAL SHIELDS will provide applicable third party certification documents identifying ratings and limitations of use that apply to the products. This information by itself is not sufficient for a complete determination of the suitability of the products in combination with the system, machine, end product, or other application or use.

## Intended use of Industrial Shields products

### Consider the following:

Industrial Shields products should only be used for the cases of application foreseen in the catalogue and the associated technical documentation. If third-party products and components are used, they must have been recommended or approved by Industrial Shields.

The correct and safe operation of the products requires that your transport, storage, installation, assembly, operation and maintenance have been carried out in a correct manner. It must respect the permissible ambient conditions. You should also follow the indications and warnings that appear in the associated documentation.

The product / system dealt with in this documentation should only be handled or manipulated by qualified personnel for the task entrusted and observing what is indicated in the documentation corresponding to it, particularly the safety instructions and warnings included in it. Due to their training and experience, qualified personnel are in a position to recognize risks resulting from the handling or manipulation of such products / systems and to avoid possible hazards.

## Disclaimers

### Weights and Dimensions

Dimensions and weights are nominal and they are not used for manufacturing purposes, even when tolerances are shown.

### Performance Data

The performance data given in this manual is provided as a guide for the user in determining suitability and does not constitute a warranty. It may represent the result of INDUSTRIAL SHIELDS's test conditions, and the users must correlate it to actual application requirements. Actual performance is subject to the INDUSTRIAL SHIELDS Warranty and Limitations of Liability.

### Errors and Omissions

The information in this document has been carefully checked and is believed to be accurate; however, no responsibility is assumed for clerical, typographical, or proofreading errors, or omissions.

### Residual Risks

The control and drive components of an Industrial Shields PLC are approved for industrial and commercial use in industrial line supplies. Their use in public line supplies requires a different configuration and/or additional measures. These components may only be operated in closed housings or in higher-level control cabinets with protective covers that are closed, and

when all of the protective devices are used. These components may only be handled by qualified and trained technical personnel who are knowledgeable and observe all of the safety information and instructions on the components and in the associated technical user documentation. When carrying out a risk assessment of a machine in accordance with the EU Machinery Directive, the machine manufacturer must consider the following residual risks associated with the control and drive components of a PDS.

1. Unintentional movements of driven machine components during commissioning, operation, maintenance, and repairs caused by, for example: – Hardware defects and/or software errors in the sensors, controllers, actuators, and connection technology – Response times of the controller and drive – Operating and/or ambient conditions not within the scope of the specification – Condensation / conductive contamination – Parameterization, programming, cabling, and installation errors – Use of radio devices / cellular phones in the immediate vicinity of the controller – External influences / damage.
2. Exceptional temperatures as well as emissions of noise, particles, or gas caused by, for example: – Component malfunctions – Software errors – Operating and/or ambient conditions not within the scope of the specification – External influences / damage.
3. Hazardous shock voltages caused by, for example: – Component malfunctions – Influence of electrostatic charging – Induction of voltages in moving motors – Operating and/or ambient conditions not within the scope of the specification – Condensation / conductive contamination – External influences / damage
4. Electrical, magnetic and electromagnetic fields generated in operation that can pose a risk to people with a pacemaker, implants or metal replacement joints, etc. if they are too close.
5. Release of environmental pollutants or emissions as a result of improper operation of the system and/or failure to dispose of components safely and correctly.

## Warranty and Limitations of Liability

### Warranty

Industrial Shields's exclusive warranty is that the products are free from defects in materials and workmanship for a period of one year (or other period if specified) from date of sale by Industrial Shields.

INDUSTRIAL SHIELDS MAKES NO REPRESENTATION OR WARRANTY, EXPRESSED OR IMPLIED, REGARDING MERCHANTABILITY, NON-INFRINGEMENT, OR FITNESS FOR PARTICULAR PURPOSE OF THE PRODUCTS. ANY BUYER OR USER ACKNOWLEDGES THAT THE BUYER OR USER ALONE HAS DETERMINED THAT THE PRODUCTS WILL SUITABLY MEET THE REQUIREMENTS OF THEIR INTENDED USE. INDUSTRIAL SHIELDS DISCLAIMS ALL OTHER WARRANTIES, EXPRESS OR IMPLIED

## Limitations of Liability

INDUSTRIAL SHIELDS SHALL NOT BE RESPONSIBLE FOR SPECIAL, INDIRECT, OR CONSEQUENTIAL DAMAGES, LOSS OF PROFITS OR COMERCIAL LOSS IN ANY WAY CONNECTED WITH THE PRODUCTS, WHETHER SUCH CLAIM IS BASED ON CONTRACT, WARRANTY, NEGLIGENCE, OR STRICT LIABILITY.

IN NO EVENT SHALL INDUSTRIAL SHIELDS BE RESPONSIBLE FOR WARRANTY, REPAIR OR OTHER CLAIMS REGARDING THE PRODUCTS UNLESS INDUSTRIAL SHIELDS'S ANALYSIS CONFIRMS THAT THE PRODUCTS WERE PROPERLY HANDLED, STORED, INSTALLED, AND MAINTAINED AND NOT SUBJECT TO CONTAMINATION, ABUSE, MISUSE, OR INAPPROPRIATE MODIFICATION OR REPAIR.

## ETL Listing Mark-Direct Imprint information

### Recognized Component ETL Classified



#### Conforms to:

UL Std. 61010-1  
UL Std. 61010-2-201  
Cert. To CSA Std. C22.2 No. 61010-1  
Cert. To CSA Std. C22.2 No.61010-2-201

#### Place for control

number:  
5016476



# Table of Contents

|   |           |
|---|-----------|
| <b>1 General Description M-DUINO DALI product</b>             | <b>10</b> |
| 1.1 Zone - Nomenclature                                       | 10        |
| 1.2 Reference table   | 11        |
| 1.3 Zones Table   | 12        |
| 1.4 A Zone Features   | 13        |
| 1.5 Mechanical dimensions and weights                         | 13        |
| 1.6 General Features  | 14        |
| 1.7 Power consumption of the M-Duino DALI Family PLCs         | 16        |
| <b>2 Technical Specifications:</b>                            | <b>17</b> |
| 2.1 General Specifications:                                   | 17        |
| 2.2 Performance Specification:                                | 17        |
| 2.3 Symbology   | 18        |
| <b>3 Precautions</b>  | <b>19</b> |
| 3.1 Arduino Board   | 19        |
| 3.2 Intended Audience   | 19        |
| 3.3 General Precautions                                       | 19        |
| 3.4 Isolation Precautions                                     | 19        |
| <b>4 M-Duino Pinout</b>                                       | <b>20</b> |
| <b>5 Serigraphy</b>   | <b>21</b> |
| 5.1 A Zone connection (Communications)                        | 21        |
| 5.2 Analog/Digital Zone connection (I/Os)                     | 23        |
| 5.3 Relay Zone connection (I/Os)                              | 24        |
| 5.4 Interrupt equivalence table                               | 25        |
| <b>6 Software interface</b>                                   | <b>26</b> |
| <b>7 How to connect PLC Arduino to PC</b>                     | <b>29</b> |
| <b>8 How to connect PLC to power supply</b>                   | <b>30</b> |
| <b>9 Switch configuration</b>                                 | <b>31</b> |
| 9.1 A Zone: Communications                                    | 31        |
| 9.2 Digital/Analogic Shield Switches                          | 33        |
| 9.3 Relay Shield Switches                                     | 34        |
| <b>10 M-Duino Arduino I/Os 5V pins</b>                        | <b>35</b> |
| 10.1 I2C pins – SDA/SCL                                       | 35        |
| 10.2 Serial 0 – RX0/TX0                                       | 36        |
| 10.3 SPI – MISO/MOSI/SCK                                      | 36        |
| 10.4 Pin 2/Pin 3  | 36        |
| <b>11 A Zone Features: Communications &amp; RTC &amp; uSD</b> | <b>37</b> |

|   |           |
|---|-----------|
| 11.1 RS-232   | 37        |
| 11.2 RS-485   | 37        |
| 11.3 I2C  | 38        |
| 11.4 SPI  | 38        |
| 11.5 TTL  | 38        |
| 11.6 Ethernet   | 38        |
| 11.7 RTC  | 39        |
| 11.8 uSD  | 39        |
| <b>12 Examples</b>  | <b>41</b> |
| 12.1 Lighting Protocol DALI in a PLC Arduino                                      | 41        |
| 12.2 How to work with DALI Arduino Library and an industrial PLC                  | 41        |
| <b>13 Instructions for interconnection between Industrial Shields controllers</b> | <b>42</b> |
| 13.1 RS-232 Communication:  | 42        |
| 13.2 RS-485 Communication:  | 42        |
| 13.2.1 Half Duplex  | 42        |
| 13.2.2 Full Duplex  | 42        |
| 13.3 Ethernet   | 43        |
| <b>14 Digital inputs threshold detection</b>                                      | <b>43</b> |
| <b>15 I/O technical details</b>   | <b>44</b> |
| <b>16 Typical Connections</b>   | <b>46</b> |
| <b>17 Connector details</b>   | <b>51</b> |
| <b>18 DIN Rail mounting</b>   | <b>54</b> |
| <b>19 Installation and Maintenance</b>  | <b>55</b> |
| <b>20 Revision Table</b>  | <b>58</b> |



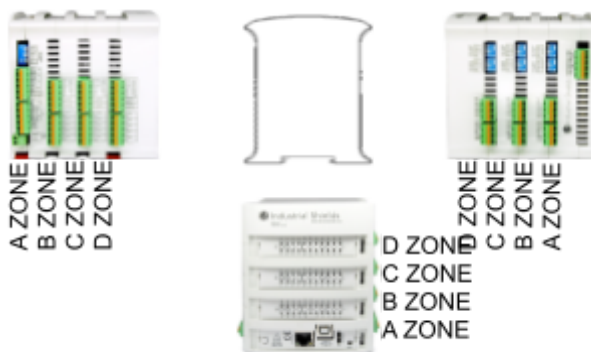
INDUSTRIAL SHIELDS

## 1 General Description M-DUINO DALI product

### 1.1 Zone - Nomenclature

The nomenclature shown in this point will be used in the whole User Guide, so it is important to understand this nomenclature.

The nomenclature to differentiate the zones is based on the Alphabet, being A the shield from below and D the shield from above. Having a B and a C in the middle of them.

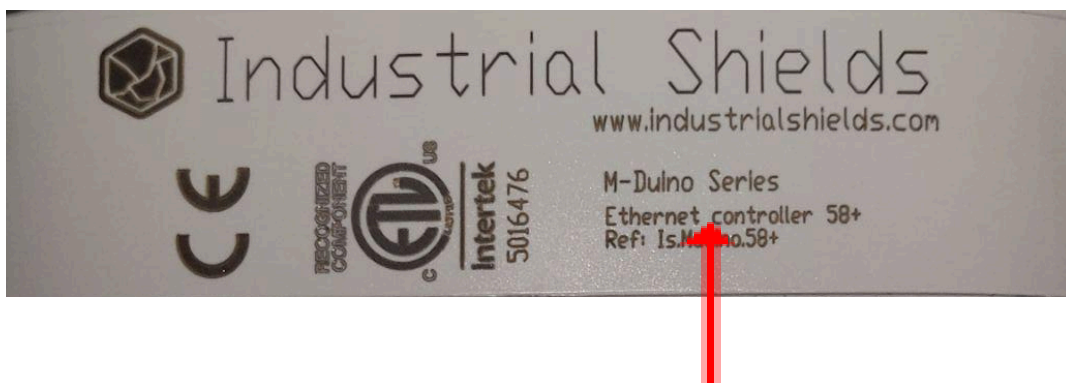


- The inputs in zone B are named I0.X, being X any number suitable in the Shield. Outputs are named as Q0.X and relays as R0.X.
- The inputs in zone C are named I1.X, being X any number suitable in the Shield. Outputs are named as Q1.X and relays as R1.X.
- The inputs in zone D are named I2.X, being X any number suitable in the Shield. Outputs are named as Q2.X and relays as R2.X.

## 1.2 Reference table

| Reference Table  |              |
|--|--------------|
| Model  | Reference    |
| <b>PLC M-Duino General Family</b>                                    |              |
| M-Duino PLC Arduino Ethernet & DALI 19R I/Os Analog / Digital Plus   | 004001000100 |
| M-Duino PLC Arduino Ethernet & DALI 21 I/Os Analog / Digital Plus    | 004001000200 |
| M-Duino PLC Arduino Ethernet & DALI 38AR I/Os Analog / Digital Plus  | 004001000700 |
| M-Duino PLC Arduino Ethernet & DALI 38R I/Os Analog / Digital Plus   | 004001000300 |
| M-Duino PLC Arduino Ethernet & DALI 42 I/Os Analog / Digital Plus    | 004001000400 |
| M-Duino PLC Arduino Ethernet & DALI 50RRA I/Os Analog / Digital Plus | 004001000900 |
| M-Duino PLC Arduino Ethernet & DALI 53ARR I/Os Analog / Digital Plus | 004001001000 |
| M-Duino PLC Arduino Ethernet & DALI 54ARA I/Os Analog / Digital Plus | 004001001100 |
| M-Duino PLC Arduino Ethernet & DALI 57AAR I/Os Analog / Digital Plus | 004001000800 |
| M-Duino PLC Arduino Ethernet & DALI 57R I/Os Analog / Digital Plus   | 004001000500 |
| M-Duino PLC Arduino Ethernet & DALI 58 I/Os Analog / Digital Plus    | 004001000600 |

To find the reference of your M-Duino DALI PLC, check the arrow in the picture below. In the example, the reference is:



### 1.3 Zones Table

| Model                   | Zones Table |                  |                  |                  |
|-------------------------|-------------|------------------|------------------|------------------|
|                         | Zone A      | Zone B           | Zone C           | Zone D           |
| M-Duino DALI PLC 19R+   | ✓           | Relay            | -                | -                |
| M-Duino DALIE PLC 21+   | ✓           | Analog / Digital | -                | -                |
| M-Duino DALI PLC 38AR+  | ✓           | Analog / Digital | Relay            | -                |
| M-Duino DALI PLC 38R+   | ✓           | Relay            | Relay            | -                |
| M-Duino DALI PLC 42+    | ✓           | Analog / Digital | Analog / Digital | -                |
| M-Duino DALI PLC 50RRA+ | ✓           | Relay            | Relay            | Analog / Digital |
| M-Duino DALI PLC 53ARR+ | ✓           | Analog / Digital | Relay            | Relay            |
| M-Duino DALI PLC 54ARA+ | ✓           | Analog / Digital | Relay            | Analog / Digital |
| M-Duino DALI PLC 57AAR+ | ✓           | Analog / Digital | Analog / Digital | Relay            |
| M-Duino DALI PLC 57R+   | ✓           | Relay            | Relay            | Relay            |
| M-Duino DALI PLC 58+    | ✓           | Analog / Digital | Analog / Digital | Analog / Digital |

The distribution of the different features that provide the M-Duino DALI PLC Family is the following one:

| Shield        | B Zone   | C Zone   | D Zone   |
|---------------|--|--|--|
| Analog Shield | <p>13 Inputs<br/>(13 Digital Inputs, 6 of which can work as Analog Input)</p> <p>8 Outputs<br/>(8 Digital Outputs, 3 of which can work as Analog Output)</p>               | <p>11 Inputs<br/>(11 Digital Inputs, 6 of which can work as Analog Input)</p> <p>8 Outputs<br/>(8 Digital Outputs, 3 of which can work as Analog Output)</p>               | <p>10 Inputs<br/>(10 Digital Inputs, 4 of which can work as Analog Input)</p> <p>6 Outputs<br/>(6 Digital Outputs, 2 of which can work as Analog Outputs)</p>              |
| Relay Shield  | <p>6 inputs<br/>(6 Digital Inputs, 4 of which can work as Analog Input)</p> <p>3 Outputs<br/>(3 Digital Outputs, 3 of which can work as Analog Output)</p> <p>8 Relays</p> | <p>4 inputs<br/>(4 Digital Inputs, 4 of which can work as Analog Input)</p> <p>3 Outputs<br/>(3 Digital Outputs, 3 of which can work as Analog Output)</p> <p>8 Relays</p> | <p>6 inputs<br/>(6 Digital Inputs, 4 of which can work as Analog Input)</p> <p>2 Outputs<br/>(2 Digital Outputs, 2 of which can work as Analog Output)</p> <p>7 Relays</p> |

## 1.4 A Zone Features

| Shield               | A Zone  |
|----------------------|---|
| Communication Shield | (1x) Ethernet<br>(1x) USB<br>(1x) I2C<br>(1x) TTL<br>(1x) RS-232<br>(1x) HALF/FULL Duplex RS-485<br>(1x) SPI external Port<br>(1x) RTC<br>(1x) uSD Socket |

## 1.5 Mechanical dimensions and weights

| Model                   | Measures Table |            |            |                |
|-------------------------|----------------|------------|------------|----------------|
|                         | Height (mm)    | Width (mm) | Depth (mm) | Max weight (g) |
| M-Duino DALI PLC 19R+   | 119.5          | 70.1       | 101        | 394            |
| M-Duino DALIE PLC 21+   | 119.5          | 70.1       | 101        | 394            |
| M-Duino DALI PLC 38AR+  | 119.5          | 94.7       | 101        | 504            |
| M-Duino DALI PLC 38R+   | 119.5          | 94.7       | 101        | 504            |
| M-Duino DALI PLC 42+    | 119.5          | 94.7       | 101        | 504            |
| M-Duino DALI PLC 50RRA+ | 119.5          | 119.3      | 101        | 614            |
| M-Duino DALI PLC 53ARR+ | 119.5          | 119.3      | 101        | 614            |
| M-Duino DALI PLC 54ARA+ | 119.5          | 119.3      | 101        | 614            |
| M-Duino DALI PLC 57AAR+ | 119.5          | 119.3      | 101        | 614            |
| M-Duino DALI PLC 57R+   | 119.5          | 119.3      | 101        | 614            |
| M-Duino DALI PLC 58+    | 119.5          | 119.3      | 101        | 614            |

## 1.6 General Features

| CONNECTABLE PLC ARDUINO 24Vcc M-DUINO        |   |  |
|--|---|--|
| MODEL TYPE                                   | Controller General Specifications   | Information  |
| <b>Input Voltage</b>                         | 12 to 24Vdc<br>===  | Fuse protection (2.5A)<br>Polarity protection  |
| <b>Input rated voltage</b>                   | 24Vdc<br>===  |  |
| <b>Rated Power</b>                           | 30W   |  |
| <b>I max.</b>                                | 1.5A  |  |
| <b>Size</b>                                  | <a href="#">Check size and weight table</a>   |  |
| <b>Clock Speed</b>                           | 16MHz   |  |
| <b>Flash Memory</b>                          | 256KB of which 8KB used by bootloader   |  |
| <b>SRAM</b>                                  | 8KB   |  |
| <b>EEPROM</b>                                | 4KB   |  |
| <b>Communications</b>                        | I2C – Ethernet Port – USB – RS485 – RS232 – SPI – (1x)<br>RX, TX (Arduino pins) – DALI  | Max232-Max485-W5500  |
| <b>USB consideration!</b>                    | <b>Only meant for uploading or debugging, not always connected as a serial in a project!</b>  | <b>Cannot be working in a final application</b>  |
| <b>An/Dig Input 10bit</b><br>(0-10Vcc)       | 0 to 10Vdc<br>Input Impedance: 39K<br>Separated PCB ground<br>Rated Voltage: 10Vdc<br><br>5 to 24Vdc<br>I min: 2 to 12mA<br>Galvanic Isolation<br>Rated Voltage: 24Vdc<br>=== | Max read time: 116us<br><br>*Check <a href="#">Section 14</a> for digital inputs threshold detection   |
| <b>Digital Isolated Input</b><br>(24Vcc)     | 5 to 24Vdc<br>I min: 2 to 12mA<br>Galvanic Isolation<br>Rated Voltage: 24Vdc<br>===   | All Digital Inputs are PNP.<br>Click <a href="#">here</a> <sup>1</sup> for more information.<br><br>Max read time: 8us   |
| <b>* Interrupt isolated Input HS</b> (24Vcc) | 5 to 24Vdc<br>I min: 2 to 12mA<br>Galvanic Isolation<br>Rated Voltage: 24Vdc<br>===   | Max read time: 8us   |
| <b>Analog Output 8bit</b><br>(0-10Vcc)       | 0 to 10Vdc<br>I max: 20mA<br>Separated PCB ground<br>Rated Voltage: 10Vdc<br>===  | Output frequency: 2Hz<br><br>Rising edge time: 150ms<br>Falling edge time: 252ms   |
| <b>Digital Isolated Output</b><br>(24Vcc)    | 5 to 24Vdc<br>I max: 70mA<br>Galvanic Isolation<br>Diode Protected for Relay<br>Rated Voltage: 24Vdc<br>===   | I <sub>max</sub> 24Vdc: 410mA<br><br>With 70us delay,<br>freq is 6.849MHz<br>with pulse width of 106us<br><br>Rising edge time: 476ns<br>Falling edge time: 42.8us |

<sup>1</sup> <https://www.industrialshields.com/blog/arduino-industrial-1/post/pnp-digital-inputs-on-industrial-plc-193>

|  |   |   |
|--|---|---|
| <b>Digital Isolated Output</b><br>Relay  | 30Vdc / 250Vac<br>Galvanic Isolation<br>Diode protected for Relay<br>⎓                                    | I <sub>max</sub> : 3A (30Vdc)<br>I <sub>max</sub> : 5A (250Vac)             |
| <b>PWM Isolated Output</b><br>8bit (24Vcc)                                     | 5 to 24Vdc<br>I max: 70mA<br>Galvanic Isolation<br>Diode Protected for Relay<br>Rated Voltage: 24Vdc<br>⎓ |   |
| <b>Direct Arduino Pin</b><br>Output  | 0 to 5Vdc<br>I max: 40mA<br>Rated Voltage: 5Vdc   | Max frequency: 77kHz<br>Rising edge time: 200ns<br>Falling edge time: 200ns |
| <b>Direct Arduino Pin</b><br>Input   | 0 to 5Vdc<br>I max: 40mA<br>Rated Voltage: 5Vdc   | Max read time: 8us  |
| <b>I2C Pin</b>   | 5V Pull-up  | Max frequency: 100kHz<br>Rising edge time: 10us<br>Falling edge time: 150ns |
| <b>One-Wire Pin</b>  | Usable pins:<br>Pin 2, Pin3, SCL, SDA, RX0, TX0,<br>MISO, MOSI, SCK                                       | Frequency: 800kHz   |
| <b>Expandability</b>   | I2C - 127 elements - Serial Port RS232/RS485  |   |
| <b>* By using this type of signal can no longer use Digital signal (24Vdc)</b> |   |   |



## 1.7 Power consumption of the M-Duino DALI Family PLCs

| Model  | Current resting (mA) | Power resting (W) | Current active (mA) | Power active (W) |
|--------|----------------------|-------------------|---------------------|------------------|
| 21+    | 99                   | 2,376             | 120                 | 2,88             |
| 42+    | 92                   | 2,208             | 128                 | 3,072            |
| 58+    | 76                   | 1,824             | 126                 | 3,024            |
| 19R+   | 80                   | 1,92              | 202                 | 4,848            |
| 38R+   | 77                   | 1,848             | 313                 | 7,512            |
| 57R+   | 73                   | 1,752             | 425                 | 10,2             |
| 38AR+  | 72                   | 1,728             | 221                 | 5,304            |
| 53ARR+ | 71                   | 1,704             | 323                 | 7,752            |
| 57AAR+ | 71                   | 1,704             | 221                 | 5,304            |
| 54ARA+ | 76                   | 1,824             | 231                 | 5,544            |
| 50RRA+ | 82                   | 1,968             | 322                 | 7,728            |

The power consumption is measured at 24Vdc.



The **current resting** column denotes the minimum current drawn by the PLC when all outputs are at a LOW level, representing the PLC's baseline power consumption.

In contrast, the **current active** column reflects the current drawn by the PLC when all outputs are at a HIGH level, and there are no connections to any of the outputs. While this value is not the absolute maximum the Arduino based PLC can draw, it serves as a reference point for expected current values.

It's important to note that the practical maximum current may vary depending on the type of actuators connected to the outputs and the number of I/Os used. The actual consumption can be influenced by the specific configuration and load connected to the PLC's outputs."

## 2 Technical Specifications:

### 2.1 General Specifications:









| Item                            |                              | M-Duino DALI Family PLC   |
|---------------------------------|------------------------------|---|
| Power supply voltage            | DC power supply              | 12 to 24Vdc   |
| Operating voltage range         | DC power supply              | 11.4 to 25.4Vdc    |
| Power consumption               | DC power supply              | 30W max.  |
| External power supply           | Power supply voltage         | 24Vdc    |
|                                 | Power supply output capacity | 700mA   |
| Insulation resistance           |                              | 20MΩ min.at 500Vdc between the AC terminals and the protective earth terminal.  |
| Dielectric strength             |                              | 2.300Vac at 50/60 Hz for one minute with a leakage current of 10mA max. Between all the external AC terminals and the protective ground terminal. |
| Shock resistance                |                              | 80m/s <sup>2</sup> in the X, Y and Z direction 2 times each.  |
| Ambient temperature (operating) |                              | 0° to 60°C  |
| Ambient humidity (operating)    |                              | 10% to 90% (no condensation)  |
| Ambient environment (operating) |                              | With no corrosive gas   |
| Ambient temperature (storage)   |                              | -20° to 60°C  |
| Power supply holding time       |                              | 2ms min.  |
| Weight                          |                              | <a href="#">Check size and weight table</a>   |

### 2.2 Performance Specification:

| Arduino Board           | ARDUINO MEGA 2560   |
|-------------------------|---|
| Control method          | Stored program method   |
| I/O control method      | Combination of the cyclic scan and immediate refresh processing methods.  |
| Programming language    | Arduino IDE. Based on wiring (Wiring is an Open Source electronics platform composed of a programming language. "similar to the C". <a href="http://arduino.cc/en/Tutorial/HomePage">http://arduino.cc/en/Tutorial/HomePage</a> ) |
| Microcontroller         | ATmega2560  |
| Flash Memory            | 256KB of which 8KB are used by the bootloader   |
| Program capacity (SRAM) | 8KB   |
| EEPROM                  | 4KB   |
| Clock Speed             | 16MHz   |

## 2.3 Symbology

Table that includes all the symbology that is used in the serigraph of the M-Duino DALI PLC Family:

| Symbol  | Standard No. / Standard Title                      | Standard Reference No. / Symbol Title | Symbol Meaning   |
|---|--|---------------------------------------|--|
|    | IEC 60417 / Graphical symbols for use on equipment | 5031 / Direct Current                 | Indicates that the equipment is suitable for direct current only; to identify relevant terminals               |
|    | IEC 60417 / Graphical symbols for use on equipment | 5032 / Alternating Current            | Indicates that the equipment is suitable for alternating current only; to identify relevant terminals          |
|   | IEC 60417 / Graphical symbols for use on equipment | 5130 / Pulse General                  | To identify the control by which a pulse is started.   |
|  | IEC 60417 / Graphical symbols for use on equipment | 5017 / Earth, Ground                  | To identify an earth (ground) terminal in cases where neither the symbol 5018 nor 5019 is explicitly required. |
|  | IEC 60417 / Graphical symbols for use on equipment | 5115 / Signal lamp                    | To identify the switch by means of which the signal lamp(s) is (are) switched on or off.                       |
|  | 2004/108/EC / Electromagnetic Compatibility        | CE Marking                            | CE marking indicates that a product complies with applicable European Union regulations                        |
|  | ISO 7000/ Graphical symbols for use on equipment   | 0434B / Warning symbol                | Indicates a potentially hazardous situation which, if not avoided, could result in death or serious injury     |
|  | ISO 7000/ Graphical symbols for use on equipment   | 5036 / Dangerous Voltage              | To indicate hazards arising from dangerous voltages  |

## 3 Precautions

Read this manual before attempting to use any of the M-Duino DALI PLC Family and follow its descriptions for reference during operation.

### 3.1 Arduino Board

The M-Duino DALI Family PLCs include Arduino Mega Board as controller.

### 3.2 Intended Audience

This manual is intended for technicians, which must have knowledge on electrical systems.

### 3.3 General Precautions

The user must operate an M-Duino according to the performance specifications described in this manual. Before using M-Duino under different conditions from what has been specified in this manual or integrating M-Duino to nuclear control systems, railroad systems, aviation systems, vehicles, combustion systems, medical equipment, amusement machines, safety equipment and other systems, machines, and equipment that may have a serious influence on lives and property if used improperly, consult your INDUSTRIAL SHIELDS representative. Ensure that the rating and performance characteristics of M-Duino are sufficient for the systems, machines, and equipment, and be sure to provide the systems, machines, and equipment double safety mechanisms. This manual provides information for programming and operating the M-Duino.

### 3.4 Isolation Precautions

#### Description:

This equipment does **not include galvanic isolation between the grounds** of the different systems. This means that if an external device or sensor that shares the same ground reference (GND) with the system is connected, any potential difference between these grounds could damage the connected components. To avoid issues with interference, ground loops, or damage to external equipment, ensure that all connected devices share the same ground reference or use systems with appropriate isolation.

#### Recommendations:

- **Connection Review:** Verify that all ground connections are properly made and that there are no significant potential differences between them.
- **Use of Isolation:** Consider using galvanic isolators or isolation transformers if it is necessary to connect equipment with different ground references.

## 4 M-Duino Pinout

| Model  | Reference    | IOs Table                  |                        |                         |                       |              |                                   |
|--------|--------------|----------------------------|------------------------|-------------------------|-----------------------|--------------|-----------------------------------|
|        |              | Analog Input* <sup>1</sup> | Digital Isolated Input | Digital Isolated Output | Digital/Analog Output | Relay Output | PWM Isolated Output* <sup>2</sup> |
| 19R+   | 004001000100 | 4                          | 2                      | 0                       | 3                     | 8            | 3                                 |
| 21+    | 004001000200 | 6                          | 7                      | 8                       | 3                     | 0            | 3                                 |
| 38AR+  | 004001000700 | 10                         | 7                      | 5                       | 6                     | 8            | 6                                 |
| 38R+   | 004001000300 | 8                          | 2                      | 0                       | 3                     | 16           | 6                                 |
| 42+    | 004001000400 | 12                         | 12                     | 10                      | 6                     | 0            | 6                                 |
| 50RRA+ | 004001000900 | 12                         | 8                      | 4                       | 8                     | 16           | 8                                 |
| 53ARR+ | 004001001000 | 14                         | 9                      | 5                       | 8                     | 15           | 8                                 |
| 54ARA+ | 004001001100 | 14                         | 13                     | 9                       | 8                     | 8            | 8                                 |
| 57AAR+ | 004001000800 | 16                         | 14                     | 10                      | 8                     | 7            | 8                                 |
| 57R+   | 004001000500 | 12                         | 4                      | 0                       | 8                     | 23           | 8                                 |
| 58+    | 004001000600 | 16                         | 18                     | 14                      | 8                     | 0            | 8                                 |

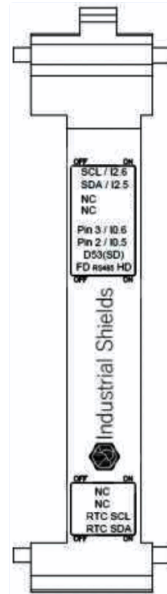
\*<sup>1</sup> The analog inputs can also be used as digital inputs.

\*<sup>2</sup> The PWM isolated outputs can also be used as digital isolated outputs. The associated PWM and analog outputs cannot be used at the same time (check [switch configuration](#)).

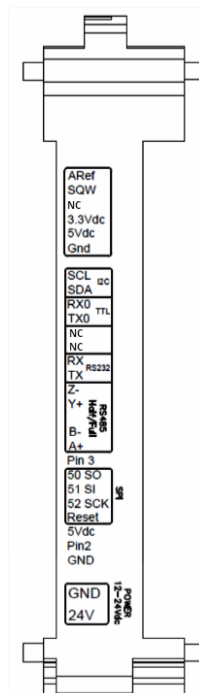
## 5 Serigraphy

### 5.1 A Zone connection (Communications)

| Base              |             |             |
|-------------------|-------------|-------------|
| A Zone            |             |             |
| M-Duino Connector | Arduino Pin | Function    |
| AREF              | AREF        | Arduino Pin |
| SQW               | SQW         | Arduino Pin |
| -                 | -           | -           |
| 3.3Vdc            | 3.3Vdc      | Arduino Pin |
| 5Vdc              | 5Vdc        | -           |
| GND               | GND         | GND         |



| Base              |             |               |
|-------------------|-------------|---------------|
| A Zone            |             |               |
| M-Duino Connector | Arduino Pin | Function      |
| SCL               | 21          | I2C/SS        |
| SDA               | 20          | I2C/SS        |
| RX0               | 0           | RX0/SS        |
| TX0               | 1           | TX0/SS        |
| -                 | -           | -             |
| -                 | -           | -             |
| TX                | 16          | RX2(serial 2) |
| RX                | 17          | TX2(serial 2) |
| Z-                | -           | RS485         |
| Y+                | -           | RS485         |
| B-                | -           | RS485         |
| A+                | -           | RS485         |
| PIN3              | 3           | Arduino Pin   |
| 50 SO             | 50          | SPI           |
| 51 SI             | 51          | SPI           |
| 52 SCK            | 52          | SPI           |
| Reset             | Reset       | SPI           |
| Vin5              | Vin5        | 5V            |
| PIN2              | 2           | Arduino Pin   |
| GND               | -           | Gnd           |
| GND               | -           | Gnd           |
| 24Vdc             | -           | Power Supply  |

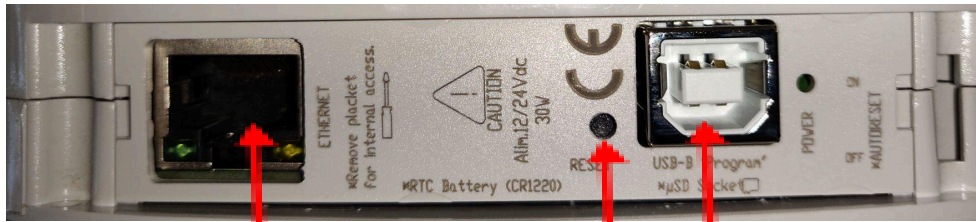


Configuration Switch\* (see section 8 to select the correct configuration for outputs. Enabling communications disables some I/Os).

Communication Pins

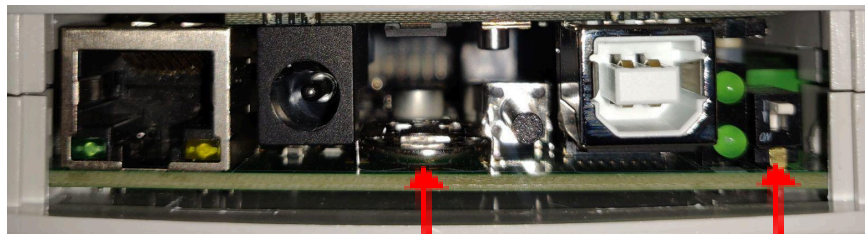
Power supply connectors (24Vdc - GND)

SS: Chip Select pins. These pins can act as TTL, so they can work for the Chip Select pin of any device.



Ethernet

Reset USB-B



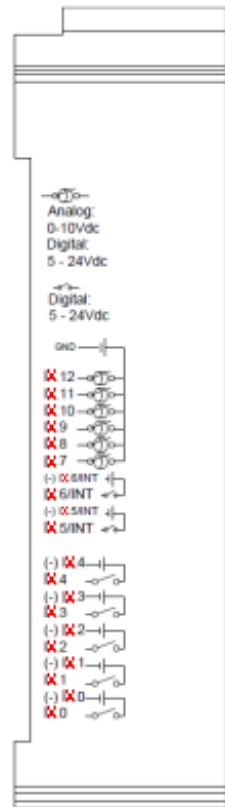
RTC battery

Programmable button

## 5.2 Analog/Digital Zone connection (I/Os)

| <b>X Zone</b>     |                             |
|-------------------|-----------------------------|
| M-Duino Connector | Function                    |
| <b>IX.12</b>      | Analog/Digital In*          |
| <b>IX.11</b>      | Analog/Digital In*          |
| <b>IX.10</b>      | Analog/Digital In           |
| <b>IX.9</b>       | Analog/Digital In           |
| <b>IX.8</b>       | Analog/Digital In           |
| <b>IX.7</b>       | Analog/Digital In           |
| <b>(-)IX.6</b>    | GND IX.6                    |
| <b>IX.6/INT</b>   | Interrupt X In <sup>2</sup> |
| <b>(-)IX.5</b>    | GND IX.5                    |
| <b>IX.5/INT</b>   | Interrupt X In <sup>3</sup> |
| <b>(-)IX.4</b>    | GND IX.4*                   |
| <b>IX.4</b>       | Digital Input*              |
| <b>(-)IX.3</b>    | GND IX.3                    |
| <b>IX.3</b>       | Digital Input               |
| <b>(-)IX.2</b>    | GND IX.2                    |
| <b>IX.2</b>       | Digital Input               |
| <b>(-)IX.1</b>    | GND IX.1                    |
| <b>IX.1</b>       | Digital Input               |
| <b>(-)IX.0</b>    | GND IX.0                    |
| <b>IX.0</b>       | Digital Input               |

\*Connectors IX.12, IX.11 and IX.4 are not connected (NC) in D Zone.



Analog/Digital Inputs

Interrupt Inputs (isolated)

Digital Inputs (isolated)

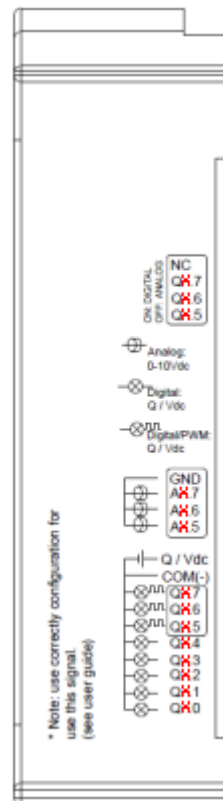
### Top Zone



Led indicator I/Os state

| <b>X Zone</b>     |                           |
|-------------------|---------------------------|
| M-Duino Connector | Function                  |
| <b>GND</b>        | GND                       |
| <b>AX.7</b>       | Analog Out*               |
| <b>AX.6</b>       | Analog Out                |
| <b>AX.5</b>       | Analog Out                |
| <b>QVdc</b>       | External Isolated Out Vdc |
| <b>COM(-)</b>     | External Isolated Out GND |
| <b>QX.7</b>       | Digital/PWM Out*          |
| <b>QX.6</b>       | Digital/PWM Out           |
| <b>QX.5</b>       | Digital/PWM Out           |
| <b>QX.4</b>       | Digital Out*              |
| <b>QX.3</b>       | Digital Out               |
| <b>QX.2</b>       | Digital Out               |
| <b>QX.1</b>       | Digital Out               |
| <b>QX.0</b>       | Digital Out               |

\*Connectors AX.7, QX.7 and QX.4 are not connected (NC) in D Zone.



Configuration Switch\*

(see section 8 to select the correct configuration for outputs).

Analog Outputs

Voltage Supply/Reference for

Digital/PWM Outputs (isolated)

Digital Outputs

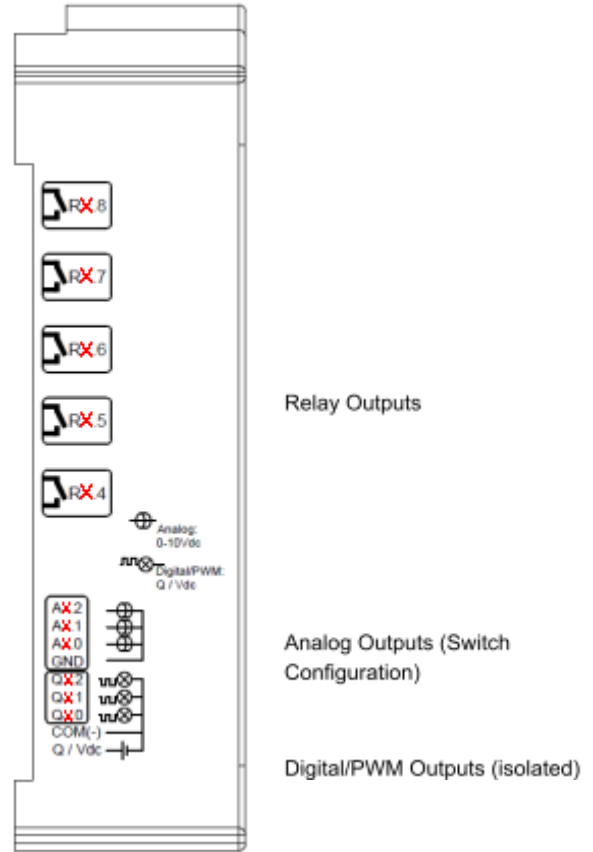
<sup>2</sup> See [section 5.4](#) to know more about interrupt pins.



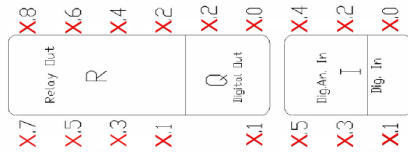
### 5.3 Relay Zone connection (I/Os)

| X Zone            |                           |
|-------------------|---------------------------|
| M-Duino Connector | Function                  |
| <b>RX.8</b>       | Relay Out                 |
| <b>RX.7</b>       | Relay Out                 |
| <b>RX.6</b>       | Relay Out                 |
| <b>RX.5</b>       | Relay Out*                |
| <b>RX.4</b>       | Relay Out                 |
| <b>AX.2</b>       | Analog Out*               |
| <b>AX.1</b>       | Analog Out                |
| <b>AX.0</b>       | Analog Out                |
| <b>GND</b>        | GND                       |
| <b>QX.2</b>       | Digital/PWM Out*          |
| <b>QX.1</b>       | Digital/PWM Out           |
| <b>QX.0</b>       | Digital/PWM Out           |
| <b>COM(-)</b>     | External Isolated Out Gnd |
| <b>QVdc</b>       | External Isolated Out Vdc |

\*Connectors RX.5, AX.2 and QX.2 are not connected (NC) in D Zone.

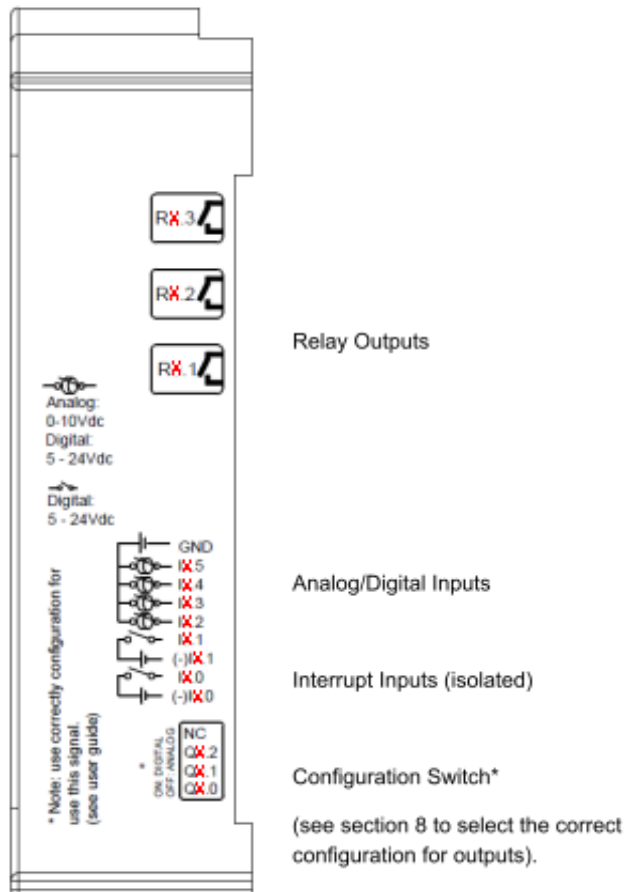


#### Top Zone



#### Led indicator I/Os state

| X Zone                      |                      |
|-----------------------------|----------------------|
| M-Duino Connector           | Function             |
| <b>RX.3</b>                 | Relay Out            |
| <b>RX.2</b>                 | Relay Out            |
| <b>RX.1</b>                 | Relay Out            |
| <b>GND</b>                  | GND                  |
| <b>IX.5</b>                 | Analog/Digital Input |
| <b>IX.4</b>                 | Analog/Digital Input |
| <b>IX.3</b>                 | Analog/Digital Input |
| <b>IX.2</b>                 | Analog/Digital Input |
| <b>IX.1/INT<sup>3</sup></b> | Interrupt X In       |
| <b>(-)IX.1</b>              | GND IX.1             |
| <b>IX.0/INT<sup>4</sup></b> | Interrupt X In       |
| <b>(-)IX.0</b>              | GND IX.0             |



<sup>3</sup> See [section 5.4](#) to know more about interrupt pins.

## 5.4 Interrupt equivalence table

See the [Reference Table](#) in order to know the specific device details.

| Zone | Analog/Digital |               |             | Relay     |               |             |
|------|----------------|---------------|-------------|-----------|---------------|-------------|
|      | PLC Input      | PLC Interrupt | M-Duino Pin | PLC Input | PLC Interrupt | M-Duino Pin |
| B    | 0.6            | INT1          | PIN3        | 0.1       | INT1          | PIN3        |
|      | 0.5            | INT0          | PIN2        | 0.0       | INT0          | PIN2        |
| C    | -              | -             | -           | -         | -             | -           |
|      | -              | -             | -           | -         | -             | -           |
| D    | 2.5            | INT3          | PIN21       | 2.1       | INT3          | PIN21       |
|      | 2.6            | INT2          | PIN20       | 2.0       | INT2          | PIN20       |

Check this [link](#) for more information.

## 6 Software interface

Industrial Shields PLC are programmed using Arduino IDE, which is a software based on the C language. They can also be programmed directly using C, but it is much easier working with Arduino IDE, as it provides lots of useful libraries.

Industrial Shields provide a boards package for programming the PLCs, making it easier and friendlier. It includes various facilities such as not having to define the pins, etc.

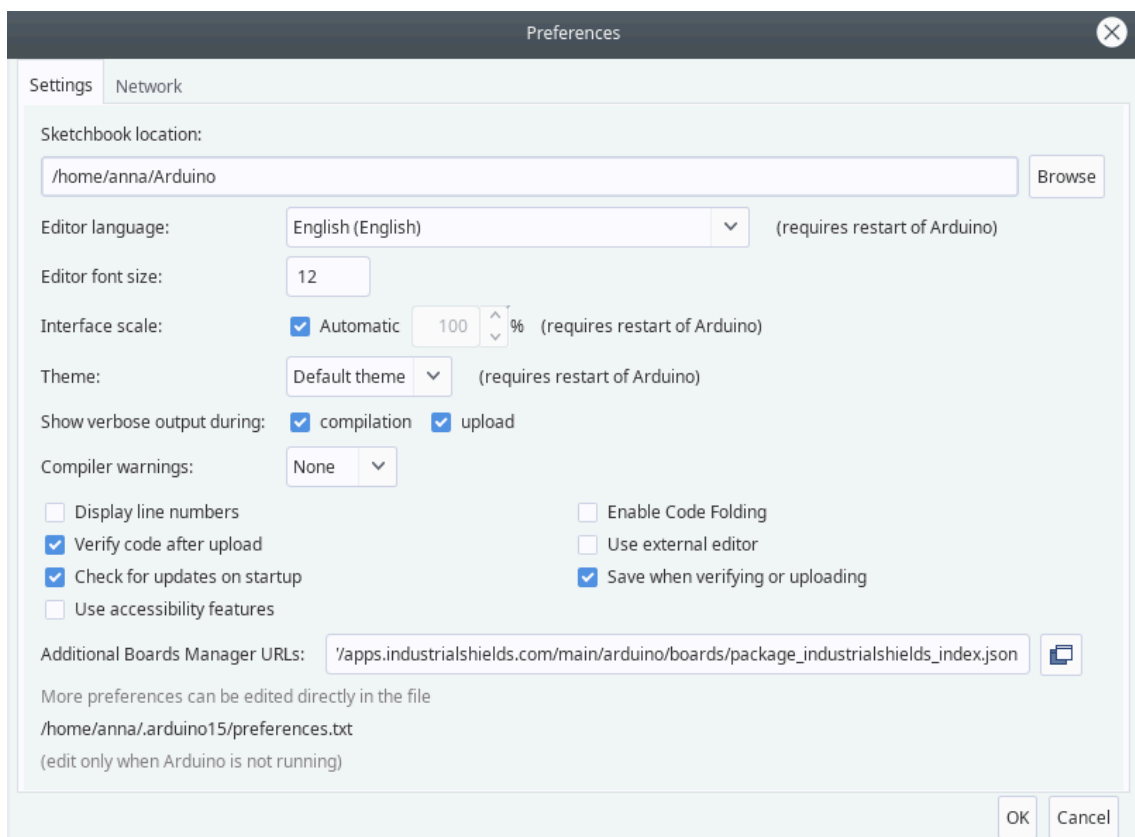
In order to install Industrial Shields boards, these are the steps that must be followed.

### Requirements:

Arduino IDE 1.8.15 or above (recommended: 1.8.19).

### Steps:

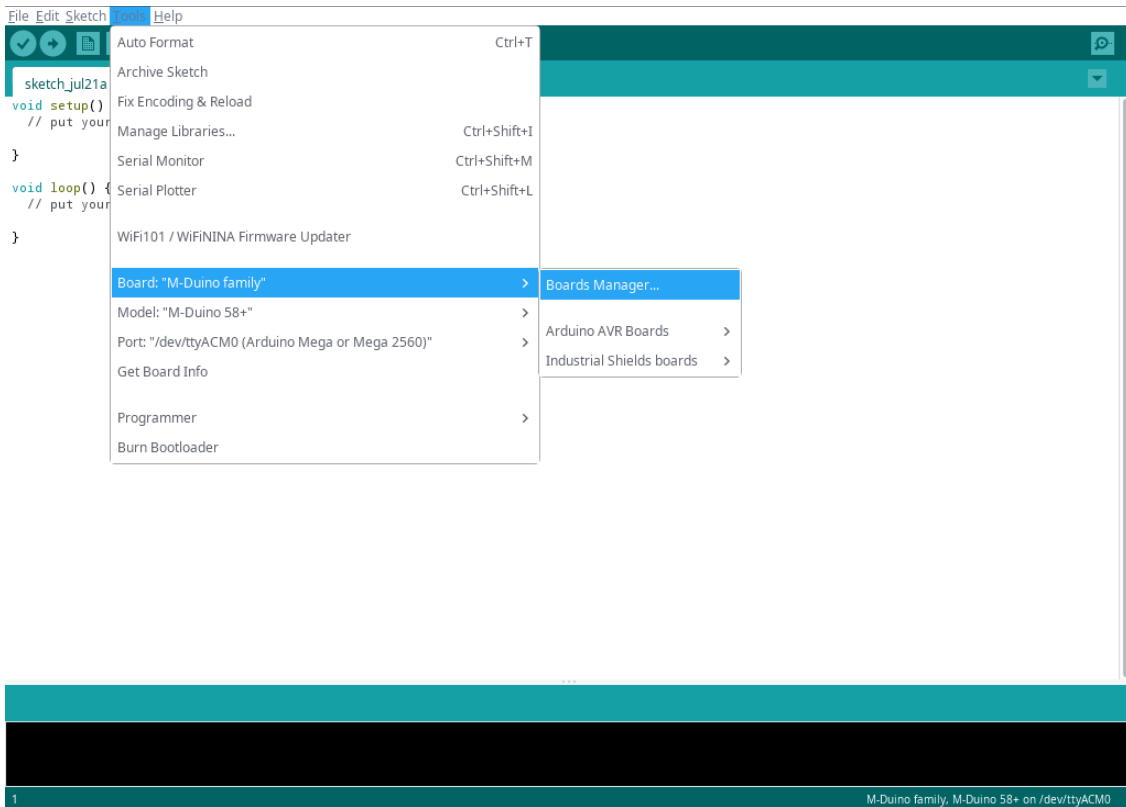
1. Open Arduino IDE and go to: "File -> Preferences" located in the top left corner.



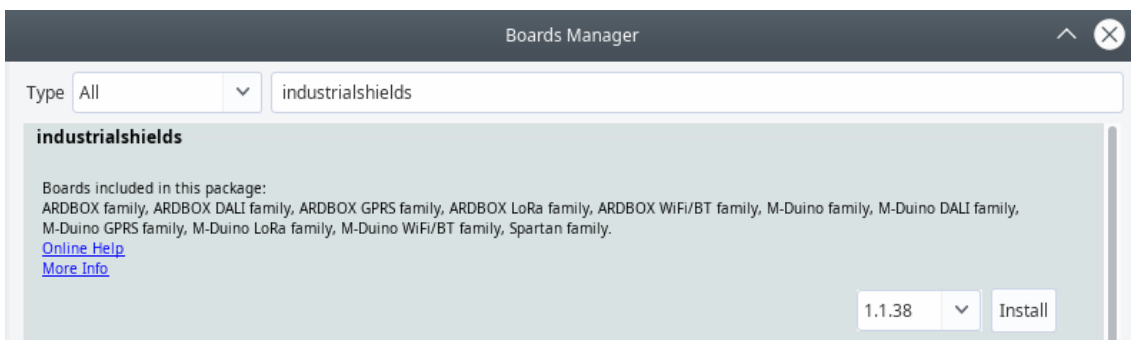
- In Additional Boards Manager URLs write the following:

[http://apps.industrialshields.com/main/arduino/boards/package\\_industrialshields\\_index.json](http://apps.industrialshields.com/main/arduino/boards/package_industrialshields_index.json)

- Press OK to save the changes.
- Go to: Tools -> Board: ... -> Boards Manager

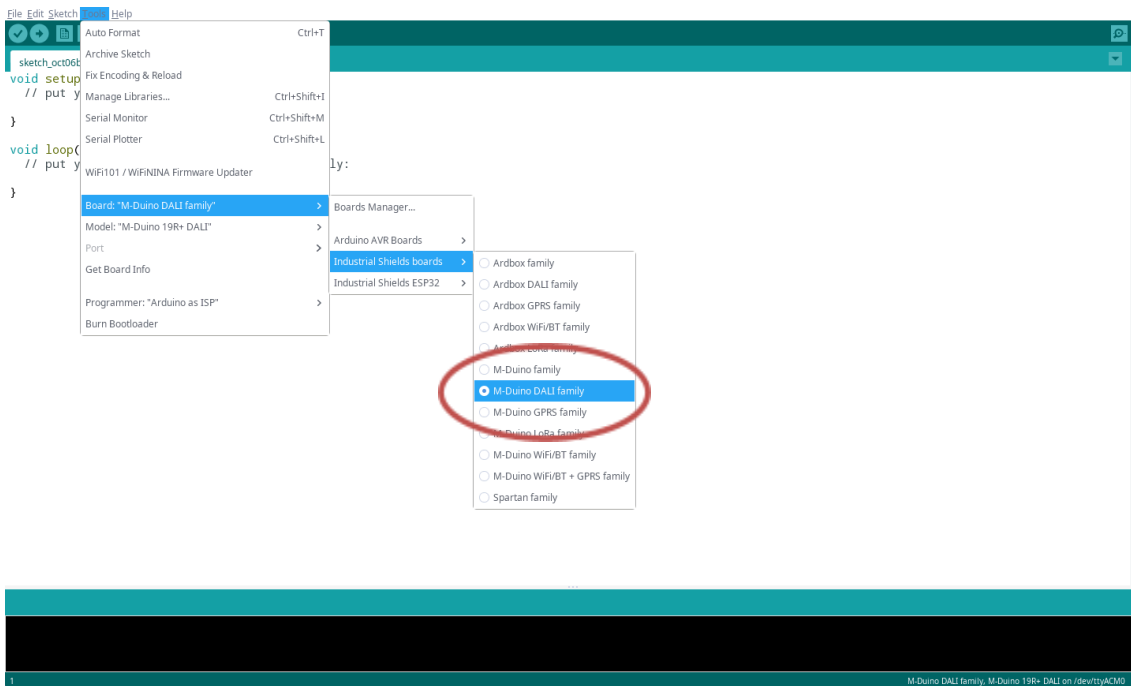


- Search for "industrialshields" on the browser.

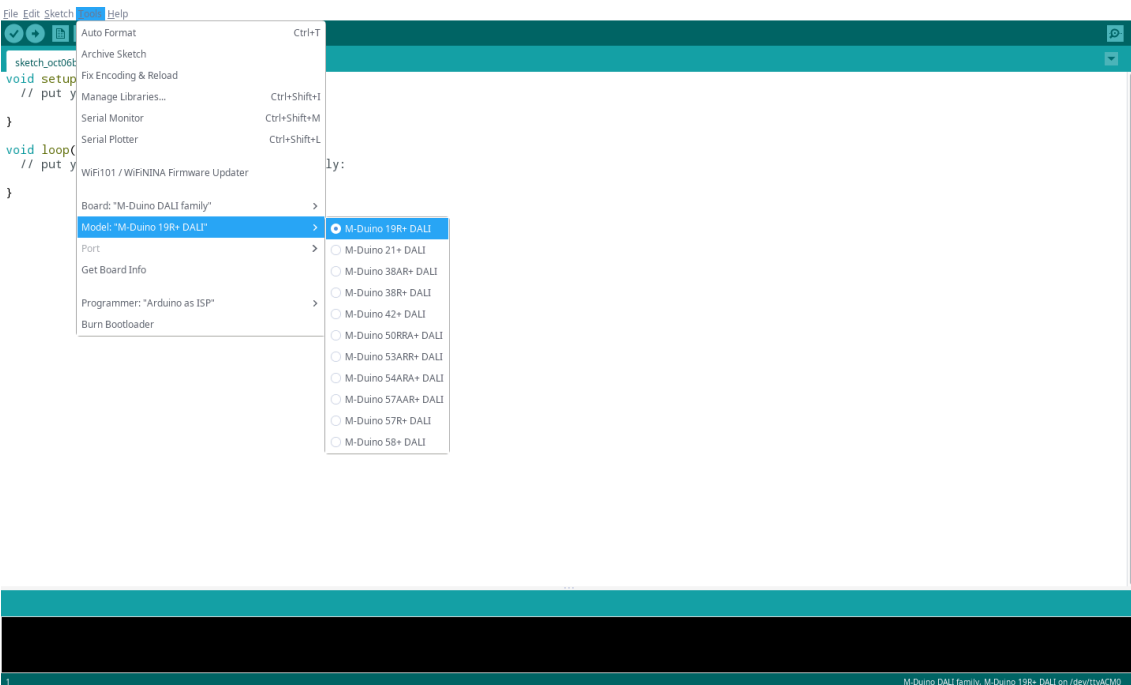


6. Click install (selecting the latest version).

Following these steps you will be able to see now the Industrial Shields Boards:



Once it is selected M-Duino DALI Family, an extra option will appear on Tools: There, it can be selected the exact model for every family.



Also there are some examples of programming in File -> Examples -> Examples for M-Duino DALI family.

Furthermore there are some extra libraries that can be found in Industrial Shields github.

<https://github.com/Industrial-Shields/>

## 7 How to connect PLC Arduino to PC

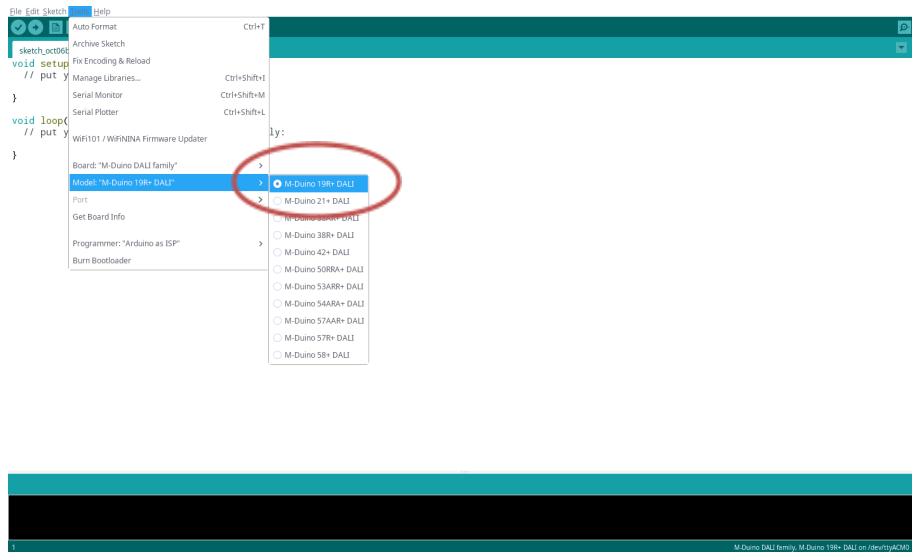
- Connect USB port from PLC to PC.



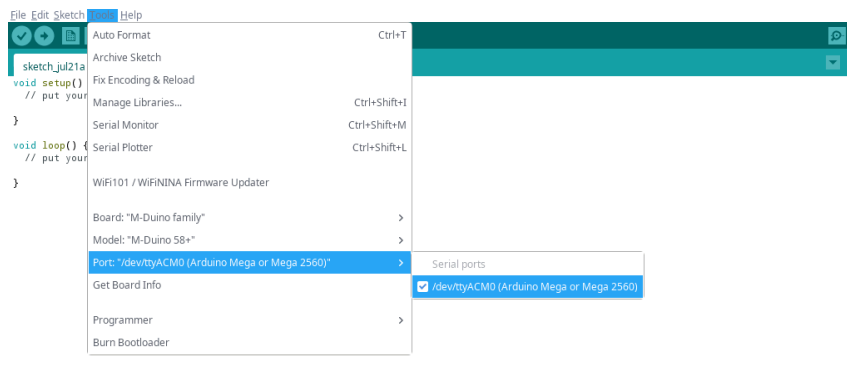
**NOTE:**

M-Duino DALI Family uses B-USB cable.

- Open Arduino IDE interface:
- Select Industrial Shields boards -> M-Duino DALI Family
- Select the correct M-Duino Board (M-Duino 19R+ DALI in our example).

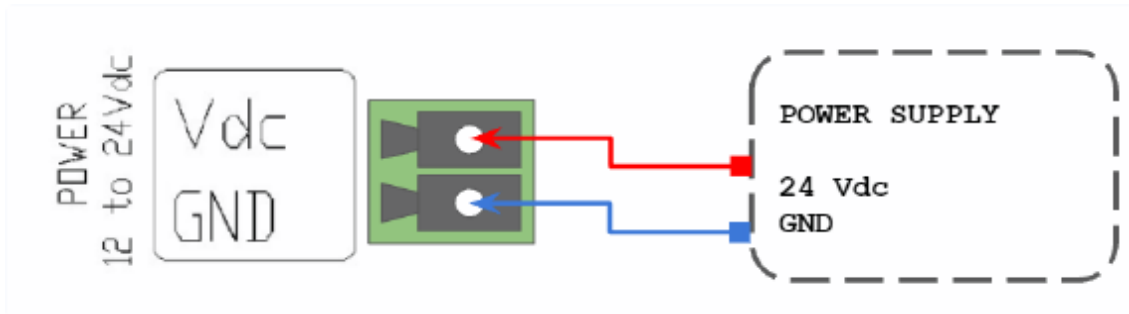


- Select the correct port.



## 8 How to connect PLC to power supply

- M-Duino DALI Family PLCs are 12-24Vdc supplied. **IMPORTANT: The polarity IS NOT REVERSIBLE!**
- Make sure that the live and GND connector of the power supply match the PLC.
- Make sure that the power supply mains output is not higher than 24Vdc.



- Suggested power suppliers

Compact DIN rail power supply. Assembled on 35mm DIN Rail:  
 -12Vdc / 24Vdc  
 -2.5A  
 -30W

Industrial Shields power supplies provide parallel operation, overvoltage protection, and overcurrent protection. There is a LED indicator for power status, the power supply is certified according to UL.



The standard, Part 1 of IEC 61010, sets the general safety requirements for the following types of electrical devices and their accessories, regardless of where use of the device is intended.

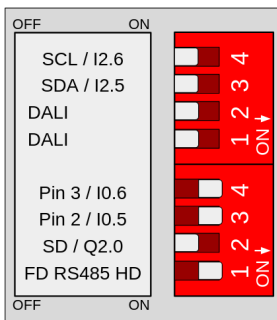
The equipment must be powered from an external power source in accordance with IEC 61010-1, whose output is MBTS and is limited in power according to section 9.4 of IEC 61010-1.

**WARNING:** Once the equipment is installed inside an electrical cabinet, the MTBS cables of the equipment must be separated from the dangerous voltage cables.

## 9 Switch configuration

### 9.1 A Zone: Communications

| A Zone     |       |    |
|------------|-------|----|
| Switch     | OFF   | ON |
| SCL   XX   | SCL   | XX |
| SDA   XX   | SDA   | XX |
| DALI   -   | DALI  | -  |
| DALI   -   | DALI  | -  |
| Pin 3   XX | Pin 3 | XX |
| Pin 2   XX | Pin 2 | XX |
| SD   XX    | SD    | XX |
| FD   HD    | FD    | HD |



This is an D Zone Switch example from M-Duino 58+ DALI. In this case, SCL, SDA, I0.6, I0.5, Q2.0 and HD are enabled. This means SCL, SDA, Pin 3, Pin 2, SD and FD are disabled.

**4. SCL | XX:** Choosing between SCL or the input XX. If the switch is ON, it enables XX and disables SCL. If the switch is OFF, it enables SCL and disables XX. The serigraphy in the PLC will indicate which input is referred to XX.

**3. SDA | XX:** Choosing between SDA or the input XX. If the switch is ON, it enables XX and disables SDA. If the switch is OFF, it enables SDA and disables XX. The serigraphy in the PLC will indicate which input is referred to XX.

**2. DALI | - :** Always at OFF position.

**1. DALI | - :** Always at OFF position.



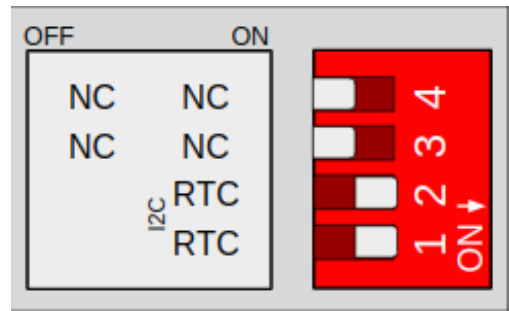
**4. Pin 3 | XX:** Choosing between Pin 3 or the input XX. If the switch is ON, it enables XX and disables Pin 3. If the switch is OFF, it enables Pin 3 and disables XX. The serigraphy in the PLC will indicate which input is referred to XX.

**3. Pin 2 | XX:** Choosing between Pin 2 or the input XX. If the switch is ON, it enables XX and disables Pin 2. If the switch is OFF, it enables Pin 2 and disables XX. The serigraphy in the PLC will indicate which input is referred to XX.

**2. SD | XX:** Choosing between SD or the input XX. If the switch is ON, it enables XX and disables SD. If the switch is OFF, it enables SD and disables XX. The serigraphy in the PLC will indicate which input is referred to XX.

**1. FD | HD:** Choosing between FD or HD. If the switch is ON, it enables HD and disables FD. If the switch is OFF, it enables FD and disables HD. Note: HD stands for Half Duplex and FD means Full Duplex. Check [section 11.2](#) for more information.

| A Zone   |     |     |
|----------|-----|-----|
| Switch   | OFF | ON  |
| NC       | -   | -   |
| NC       | -   | -   |
| NC   RTC | -   | RTC |
| NC   RTC | -   | RTC |

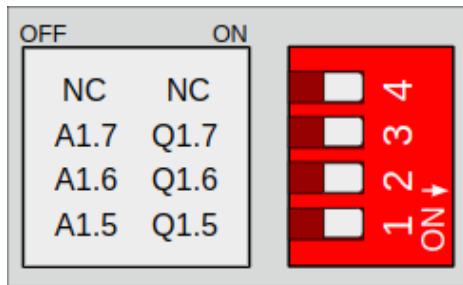


This switch enables the communication with RTC using I2C. Having both switches in ON mode activates the communication, whereas if they are in OFF mode I2C is disabled to reach the RTC.

## 9.2 Digital/Analogic Shield Switches

| Digital/ Analogic Shield Switch |      |      |
|---------------------------------|------|------|
| Switch                          | OFF  | ON   |
| NC                              | -    | -    |
| AX.7   QX.7                     | AX.7 | QX.7 |
| AX.6   QX.6                     | AX.6 | QX.6 |
| AX.5   QX.5                     | AX.5 | QX.5 |

\*X can change depending on which zone we are in. Check the serigraphy in the PLC to know what number takes X.



We can see here an example switch from the C Zone (Notice that X takes value 1 here).

For the Analog Shield if a switch is set to ON, it can only act as Digital Output. If it is set to OFF it can only act as an Analog Output.

If it is desired to use a Digital Output the switch must be set to ON and the pin that will provide this digital output is represented with QX.X, being X any number of the table above.

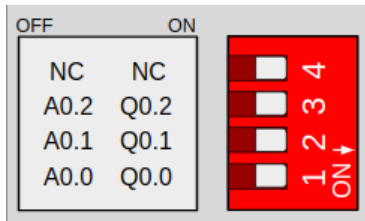
If it is desired to use an Analog Output the switch must be set to OFF and the pin that will provide this digital output is represented with AX.X, being X any number of the table above.

**\*IMPORTANT:** In D Zone, output A2.7 | Q2.7 is not connected.

### 9.3 Relay Shield Switches

| Relay Shield Switch |      |      |
|---------------------|------|------|
| Switch              | OFF  | ON   |
| NC                  | -    | -    |
| AX.2   QX.2         | AX.2 | QX.2 |
| AX.1   QX.1         | AX.1 | QX.1 |
| AX.0   QX.0         | AX.0 | QX.0 |

\*X can change depending on which zone we are in. Check the serigraphy in the PLC to know what number takes X.



We can see here an example switch from the B Zone (Notice that X takes value 0 here).

For the Relay Shield if a switch is set to ON, it can only act as Digital Output. If it is set to OFF it can only act as an Analog Output.

If it is desired to use a Digital Output the switch must be set to ON and the pin that will provide this digital output is represented with QX.X, being X any number of the tables above.

If it is desired to use an Analog Output the switch must be set to OFF and the pin that will provide this digital output is represented with AX.X, being X any number of the tables above.

**\*IMPORTANT:** In D Zone, output A2.2 | Q2.2 is not connected.

## 10 M-Duino Arduino I/Os 5V pins

The M-Duino has some of the Mega board pins available. These pins can be programmed according to Arduino features such as I/Os operating at 5V or any additional features present in the pins (for example I2C communication in pins SCL and SDA). As these pins are directly connected to the Arduino Mega board they are not as well protected as the normal inputs. These pins are mainly meant to be used as prototyping.

The Arduino board available pins are summarised in the table below. In order to access some of these pins the configuration switch must be set to OFF position (see [section 9](#)) and some extra considerations must be taken in consideration when using these pins.

| M-Duino terminal | Arduino pin | Enable Arduino pin        |
|------------------|-------------|---------------------------|
| SCL              | 21          | Communication switch: OFF |
| SDA              | 20          | Communication switch OFF  |
| RX0              | 0           |                           |
| TX0              | 1           |                           |
| RX               | 17          |                           |
| TX               | 16          |                           |
| MISO             | 50          |                           |
| MOSI             | 51          |                           |
| SCK              | 52          |                           |
| Pin 3            | 3           | Communication switch: OFF |
| Pin 2            | 2           | Communication switch: OFF |



**\*IMPORTANT:** Do not connect the terminals in the chart above to voltages higher than 5V. These terminals provide direct access to the Mega board.

Apart from the switch configuration there are some special conditions depending on these 5V. Now it is going to be shown the considerations to operate with these pins.

### 10.1 I2C pins – SDA/SCL

The I2C protocol is meant to work in a pull-up configuration. A pull-up configuration means that when the pin is at rest (nothing connected to it) it always reads a HIGH value. In this case it reads 5V when nothing is connected. The pull-up configuration is established by default in these pins.

If it is meant to use them as an internal arduino direct PIN at 5V, it has to be considered that they are pull-up inputs (2200Ω resistor is used in the internal pull-up).

## 10.2 Serial 0 – RX0/TX0

The Serial0 protocol can work also as a 5V pin. These pins should be used ultimately, only in case that all the 5V pins are already performing a function. This is because they are shared with the USB interface. If using these pins, the USB communication cannot be working at the same time.

When the PLC is not installed, USB communication is normally required for debugging or uploading/updating the program. If using both interfaces at the same time the Arduino board will get blocked.

These pins are not established with a pull-up or a pull-down configuration. The state of these pins is unknown. If these pins must be used, they require a pull-up or a pull-down configuration. The Arduino board allows the pins to be set in a pull-up configuration. If not it must be established as an external pull-up or pull-down circuit in order to correctly work with these pins.

## 10.3 SPI – MISO/MOSI/SCK

These pins can only work as 5V pins if the Ethernet protocol is not going to be used. As the Ethernet protocol uses the SPI to communicate with the Arduino board, both behaviours cannot happen at the same time as the Ethernet would not work.

These pins are not established with a pull-up or a pull-down configuration. The state of these pins is unknown. If these pins must be used, they require a pull-up or a pull-down configuration. The Arduino board allows the pins to be set in a pull-up configuration. If not it must be established as an external pull-up or pull-down circuit in order to correctly work with these pins.

## 10.4 Pin 2/Pin 3

To know how to configure these pins correctly, check [section 9](#).

These pins are not established with a pull-up or a pull-down configuration. The state of these pins is unknown. If these pins must be used, they require a pull-up or a pull-down configuration. The Arduino board allows the pins to be set in a pull-up configuration. If not it must be established as an external pull-up or pull-down circuit in order to correctly work with these pins.

## 11 A Zone Features: Communications & RTC & uSD

### 11.1 RS-232

The Arduino Mega function code to access the RS-232 port in the M-Duino is Serial2 (pins 16 and 17 of the Arduino Mega).

For the RS-232 communication protocol there isn't any switch that affects it. So it does not matter the configuration of the switches to implement a RS-232 communication.

Using the boards of Industrial Shields, there is a library that simplifies the RS-232 implementation.

Click [here](#)<sup>4</sup> or [here](#)<sup>5</sup> to see more about this communication.

### 11.2 RS-485

For RS485 communication protocol the defined Arduino Mega pins are shown in the chart below.

| Function | Arduino Pin |
|----------|-------------|
| DI       | 14          |
| RO       | 15          |
| RE       | 11          |
| DE       | 46          |

For the RS-485 communication protocol there is only one switch that affects this communication. The RS-485 protocol will be always enabled, the only switch that affects is the one called "FD rs-485 HD" (See [Section 9](#)). This switch makes the choice between RS-485 Half Duplex or RS-485 Full Duplex (RS-422).

Using the boards of Industrial Shields, there is a library that simplifies the RS-485 implementation.

Click [here](#)<sup>6</sup> or [here](#)<sup>7</sup> to see more about this communication.

<sup>4</sup> <https://www.industrialshields.com/blog/arduino-industrial-1/post/basics-about-rs232-of-an-industrial-plc-183>

<sup>5</sup> <https://www.industrialshields.com/blog/arduino-industrial-1/post/how-to-use-rs-232-on-industrial-arduino-based-plc-16>

<sup>6</sup> <https://www.industrialshields.com/blog/arduino-industrial-1/post/basics-about-rs-485-of-an-industrial-plc-195>

<sup>7</sup> <https://www.industrialshields.com/blog/arduino-industrial-1/post/how-to-connect-two-industrial-plcs-through-rs-485-213>

## 11.3 I2C

I2C communication **DOES NOT REQUIRE** a pull-up resistor for the M-Duino. The pull-up resistor is already implemented in the PCB.

I2C communication is configured by switches, so the switches must be configured in order to enable the I2C communication (See [section 9](#) for more information).

Industrial Shields does not provide any library to implement the I2C as it can be used with the standard library of Arduino called Wire.

Click [here](#)<sup>8</sup> to see more about this communication.

## 11.4 SPI

The M-Duino pins used for the SPI bus are summarised in the table below. For SPI bus MISO, MOSI and CLOCK pins are common to all the connected devices to the M-Duino, conversely, each of the connected devices will have a single and dedicated SS pin.

| Function | M-Duino connection                | Mega board pin      |
|----------|-----------------------------------|---------------------|
| MISO     | 50 S0                             | 50                  |
| MOSI     | 51 SI                             | 51                  |
| CLOCK    | 52 SCK                            | 52                  |
| Reset    | Reset                             | Reset               |
| SS       | SCL/SDA/RX0/TX0/RX3/TX3/Pin2/Pin3 | 21/20/1/0/15/14/2/3 |

Check the switch configuration at [section 9](#) to enable SS pins.

Click [here](#)<sup>9</sup> to see more about this communication.

## 11.5 TTL

M-Duino has two TTL ports, RX0/TX0, RX/TX. TTL0 is accessed with the function Serial (pins 0 and 1 of the Arduino Mega). TTL is accessed with the function Serial2 (pins 16 and 17 of the Arduino Mega). See [section 9](#) for more information.

## 11.6 Ethernet

M-Duino Ethernet port controller is based on w5500 IC, which is the IC compatible with Arduino Ethernet2 Shield libraries. All Ethernet shield Arduino libraries are compatible with the M-Duino. In the M-Duino, W5500 IC communicates to the Mega board via SPI bus (SS Arduino Mega pin 10). Click [here](#)<sup>10</sup> and [here](#)<sup>11</sup> to see more about this communication.

<sup>8</sup> <https://www.industrialshields.com/blog/arduino-industrial-1/post/i2c-bus-on-plc-arduino-for-industrial-automation-192>

<sup>9</sup> <https://www.industrialshields.com/blog/arduino-industrial-1/post/bus-spi-on-plc-arduino-from-industrial-shields-191>

<sup>10</sup> <https://www.industrialshields.com/blog/arduino-industrial-1/post/modbus-tcp-master-with-industrial-arduino-esp32-plcs-103>

<sup>11</sup> <https://www.industrialshields.com/blog/arduino-industrial-1/post/how-to-use-modbus-tcp-slave-library-with-a-plc-controller-arduino-105>

## 11.7 RTC

M-Duino RTC Module is based on the DS1307 Chip. This chip works with the I2C protocol communication, so it is required to have enabled the I2C protocol. This means 4 switches have to be configured in order to enable the RTC features.

RTC SCL & RTC SDA must be set to ON mode to enable the I2C wires to the RTC. If they are in OFF mode, the Arduino won't communicate with the RTC. Look at [section 11.3](#) for more information.

Using the boards of Industrial Shields, there is a library that simplifies the RTC implementation called RTC.

Click [here](#)<sup>12</sup> to see more about this feature.

## 11.8 uSD

The micro SD uses the SPI communication to interact with the Arduino Mega. The SPI protocol is always enabled, as there are no switches that configure it. However, there is a switch that must be placed to ON mode in order to communicate with the uSD:

SD: If this Switch is OFF, it enables the Chip Select of the microSD socket. If the switch is in ON mode the microSD can't be used. Check [section 9](#) for more information.

The uSD socket is found in the TOP part of the communication Shields, so in the frontal part of the PLC, it is required to open the plastic found in the frontal part and the socket is located under the supply of the Arduino.

Using the boards of Industrial Shields, there is a library that simplifies the uSD implementation called SD. It is the same as the Arduino library, with the only modification of using the pin 53 to select the Chip Select of the uSD chip.

Click [here](#)<sup>13</sup> to see more about this feature.

---

<sup>12</sup> <https://www.industrialshields.com/blog/arduino-industrial-1/post/rtc-test-on-m-duino-plus-version-51>

<sup>13</sup> <https://www.industrialshields.com/blog/arduino-industrial-1/post/basics-with-sd-card-in-an-industrial-plc-167>





**Verify that the CPU is not actively running a process before inserting the memory card.**

Inserting a memory card will cause the CPU to go to STOP mode, which could affect the operation of an online process or machine. Unexpected operation of a process or machine could result in death or injury to personnel and/or property damage. Before inserting a memory card, always ensure that the CPU is offline and in a safe state.



**Vérifiez que le processeur n'exécute pas activement un processus avant d'insérer la carte mémoire.**

Si vous insérez une carte mémoire, la CPU passe en mode STOP, ce qui peut affecter le fonctionnement d'un processus ou d'une machine en ligne. Le fonctionnement inattendu d'un processus ou d'une machine peut entraîner la mort ou des blessures corporelles et / ou des dégâts matériels. Avant d'insérer une carte mémoire, assurez-vous toujours que la CPU est hors ligne et en sécurité.

## 12 Examples

### 12.1 Lighting Protocol DALI in a PLC Arduino

To know what the DALI Protocol is and how it works in an industrial environment, look at this [post](#)<sup>14</sup>. A detailed description of DALI is done in it.

### 12.2 How to work with DALI Arduino Library and an industrial PLC

In this other [link](#)<sup>15</sup> a useful explanation on how the DALI Protocol can be implemented and used in industrial PLCs is given. Also, there is an example code to help in understanding the fundamentals of DALI communication.

---

<sup>14</sup>

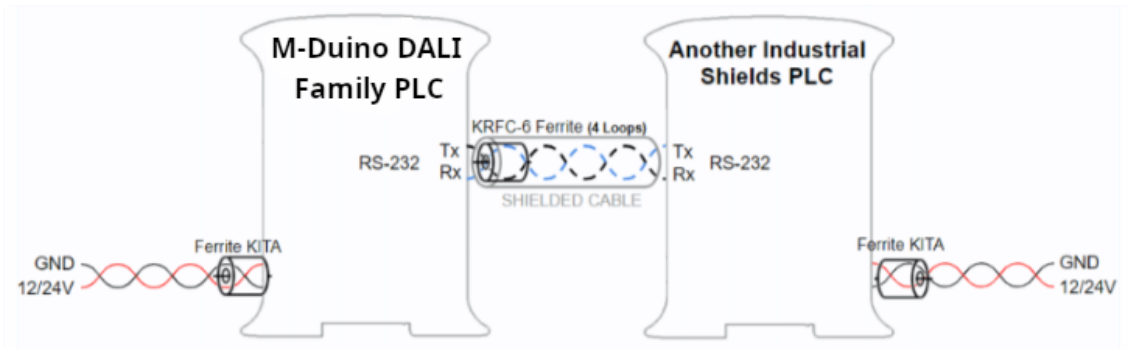
<https://www.industrialshields.com/blog/arduino-industrial-1/post/lighting-protocol-dali-in-a-plc-arduino-238>

<sup>15</sup>

<https://www.industrialshields.com/blog/arduino-industrial-1/post/how-to-work-with-dali-arduino-library-and-an-industrial-plc-221>

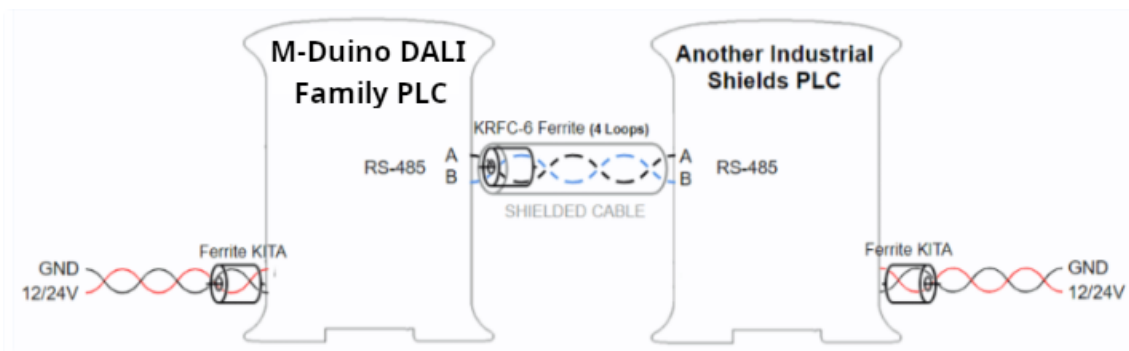
## 13 Instructions for interconnection between Industrial Shields controllers

### 13.1 RS-232 Communication:

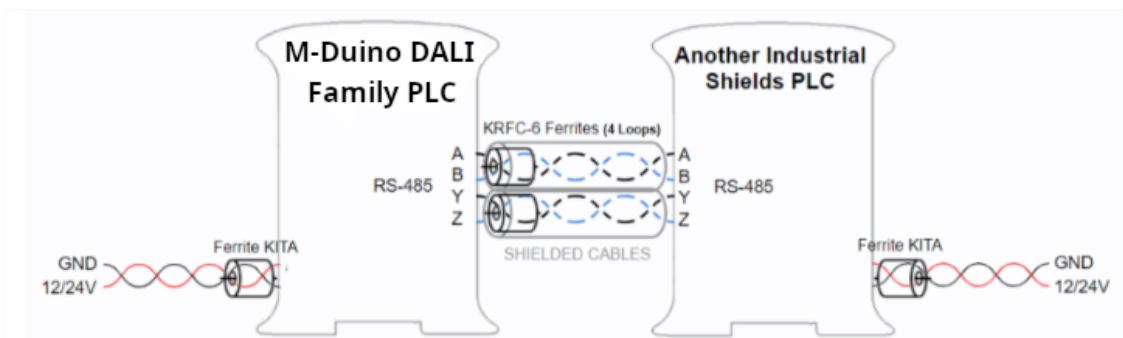


### 13.2 RS-485 Communication:

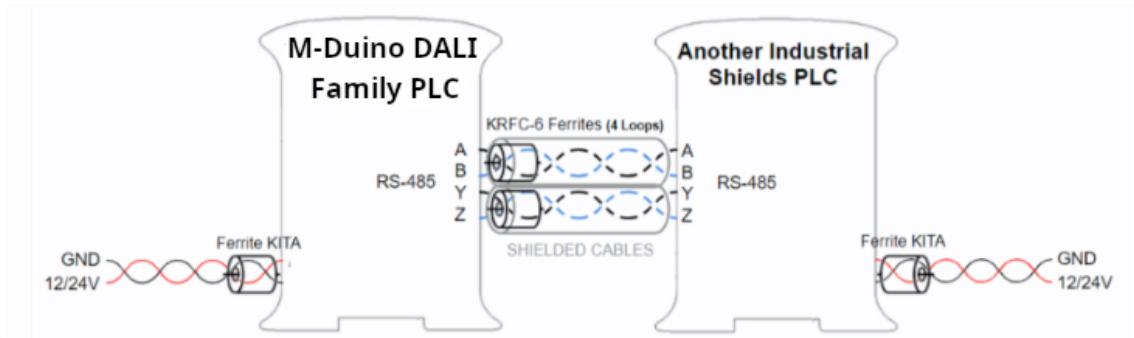
#### 13.2.1 Half Duplex



#### 13.2.2 Full Duplex



## 13.3 Ethernet



For Ethernet communication between Industrial Shields equipment a **SFTP CAT-6 Ethernet crossover cable** must be used.

## 14 Digital inputs threshold detection

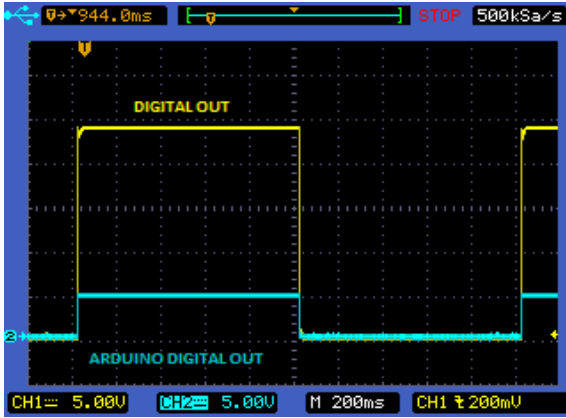
The M-Duino inputs have a minimum voltage threshold to reliably detect the signal when used as digital input. The threshold value is different depending on the input type:

| Input type    | Threshold voltage (V) |
|---------------|-----------------------|
| Digital input | 4                     |
| Analog input  | 5.1                   |

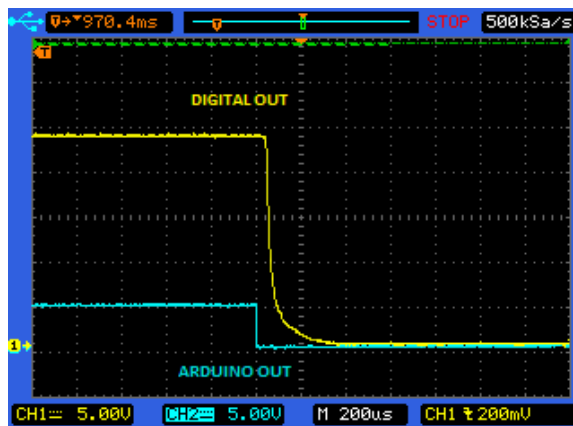
## 15 I/O technical details

A comparison between the waveforms of the I/Os from the M-Duino DALI Family PLC and the Arduino Mega is done in this section.

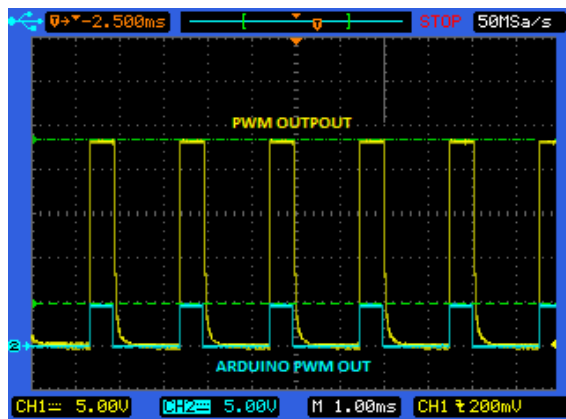
Digital Output Waveform:



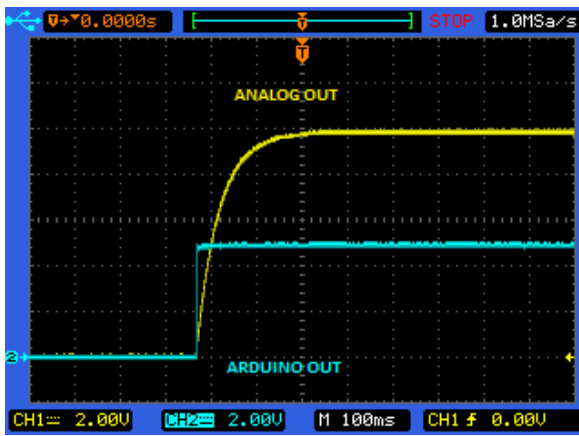
Digital Output Turn-off:



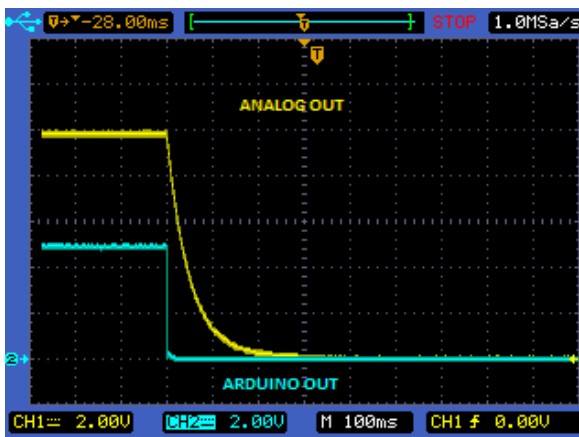
PWM Waveform:



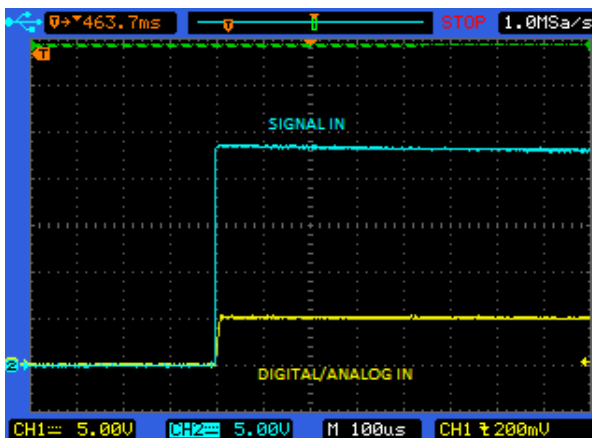
Analog Out Turn-On:



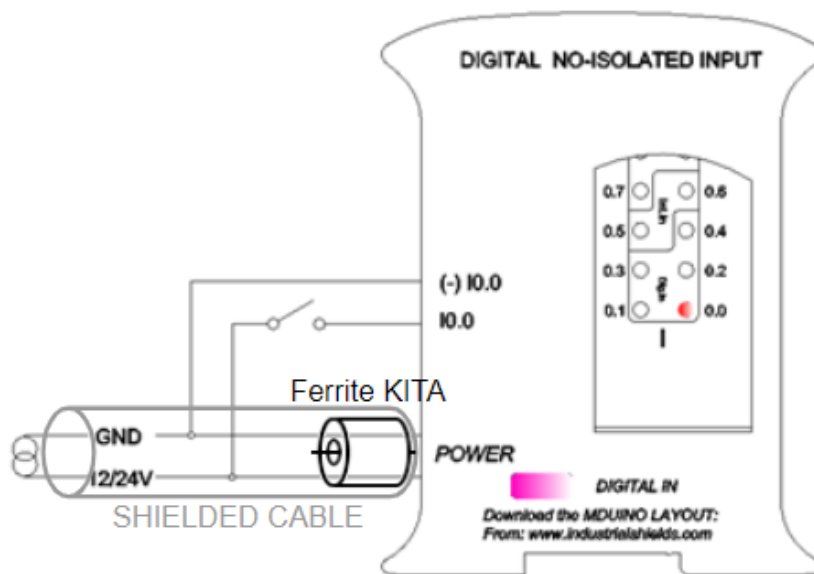
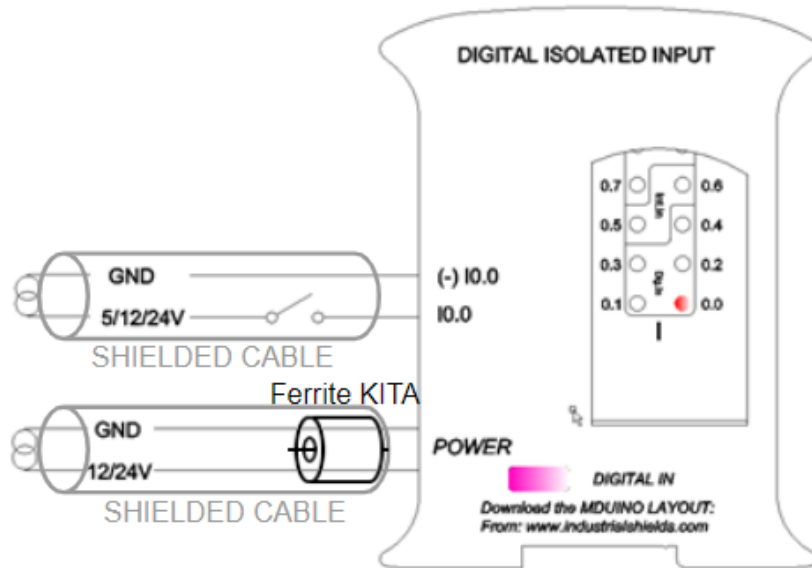
Analog Out Turn-Off:

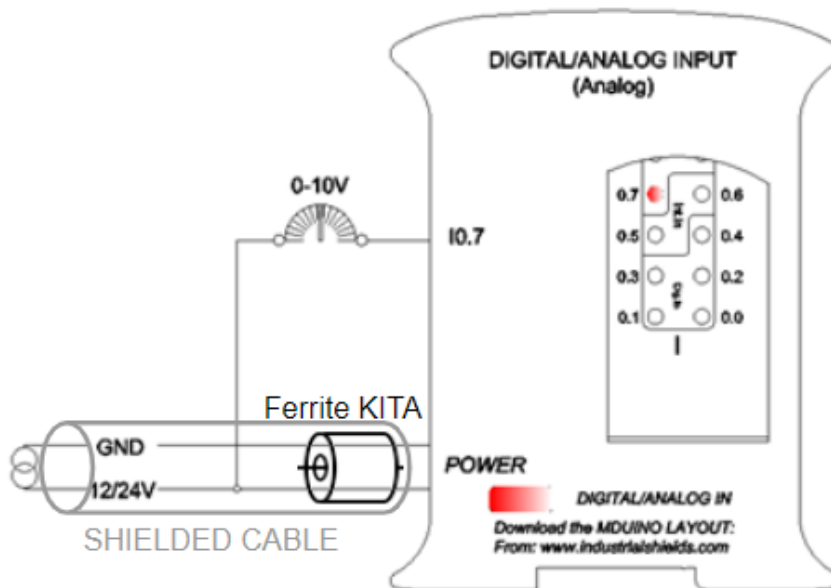
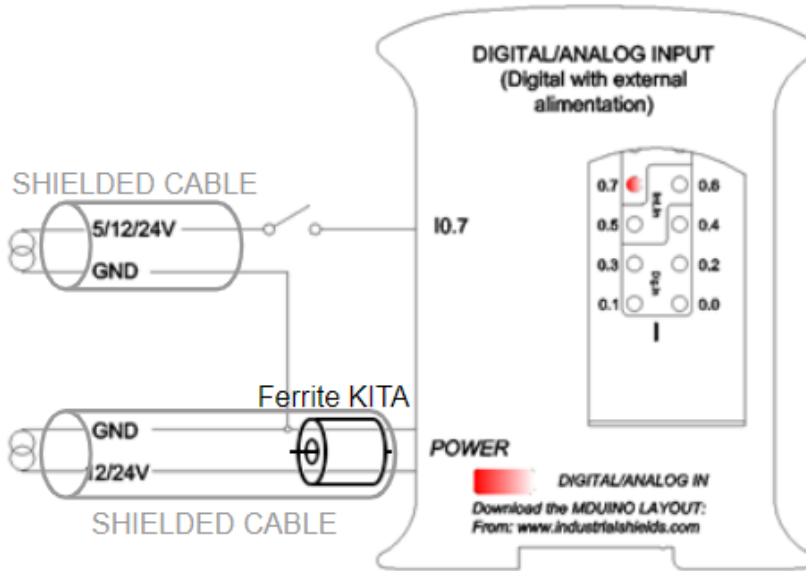


Analog /Digital input Turn-on:

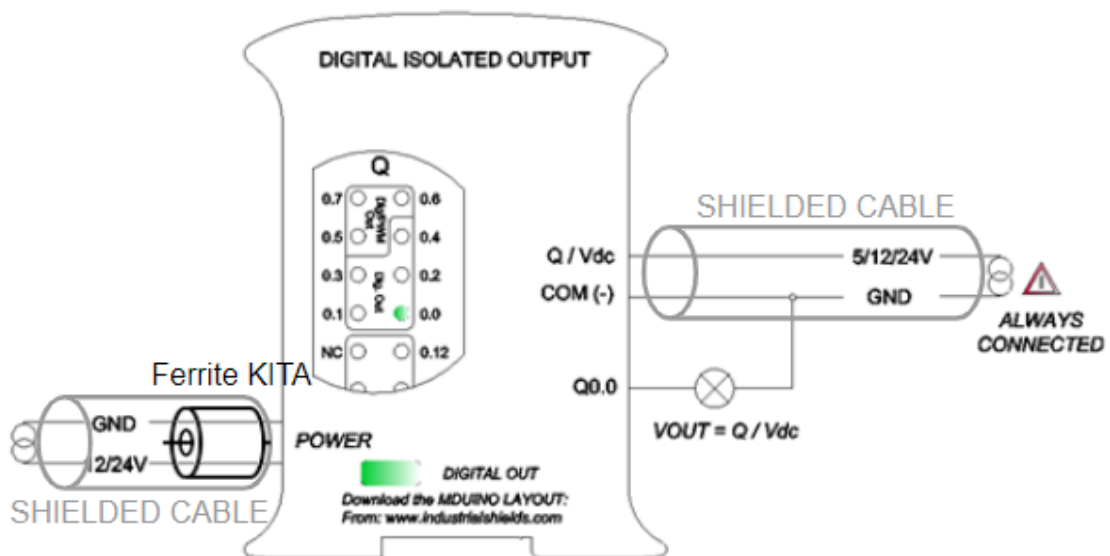
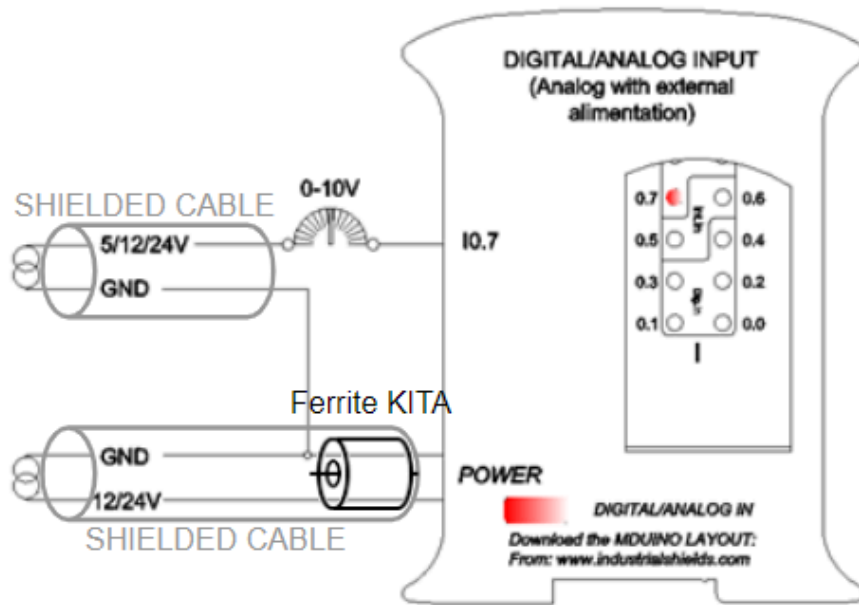


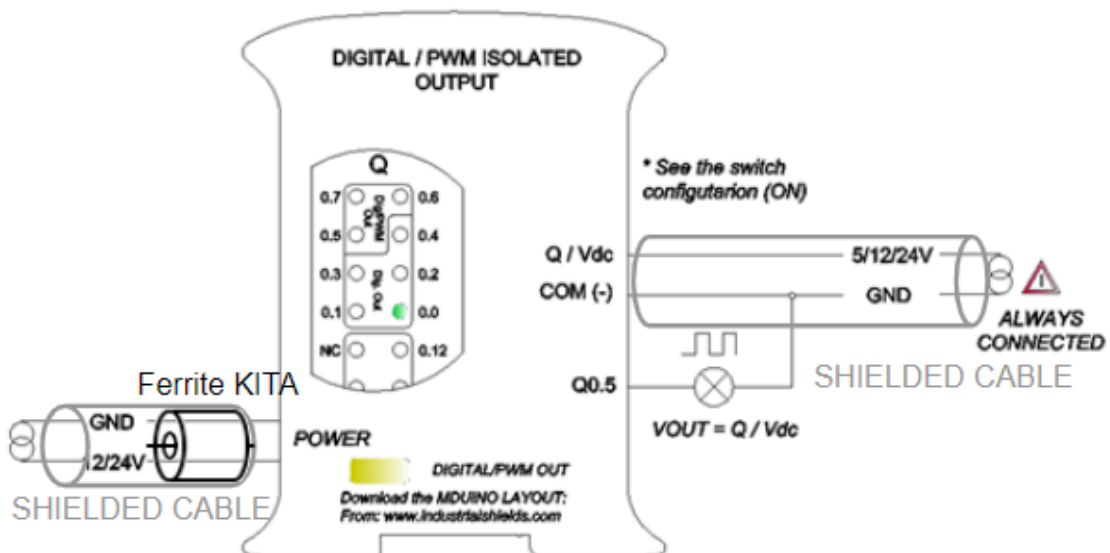
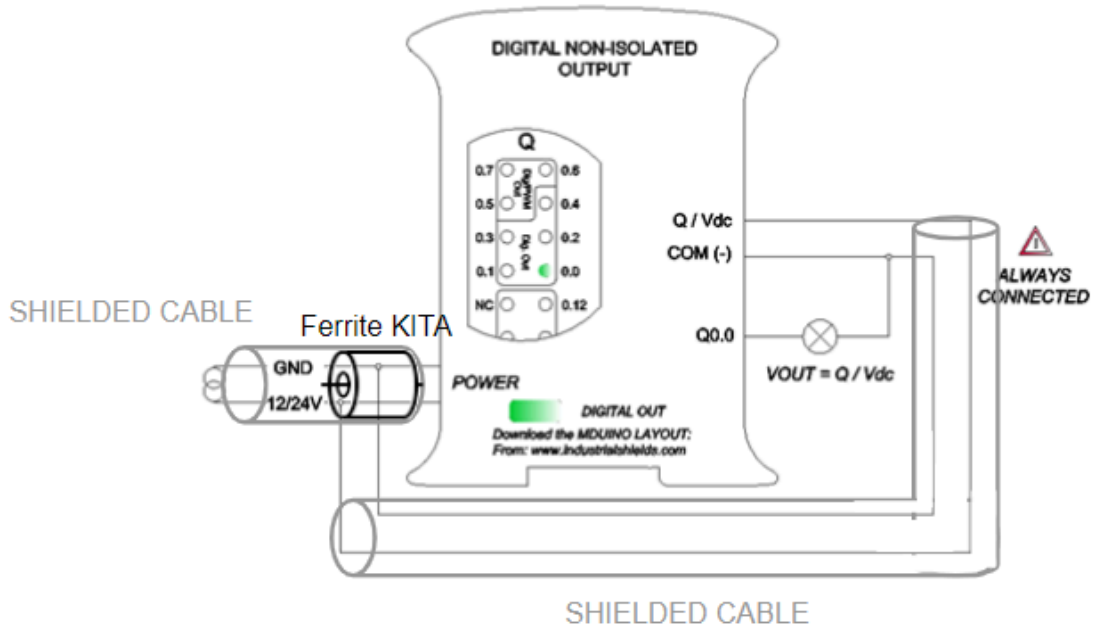
## 16 Typical Connections

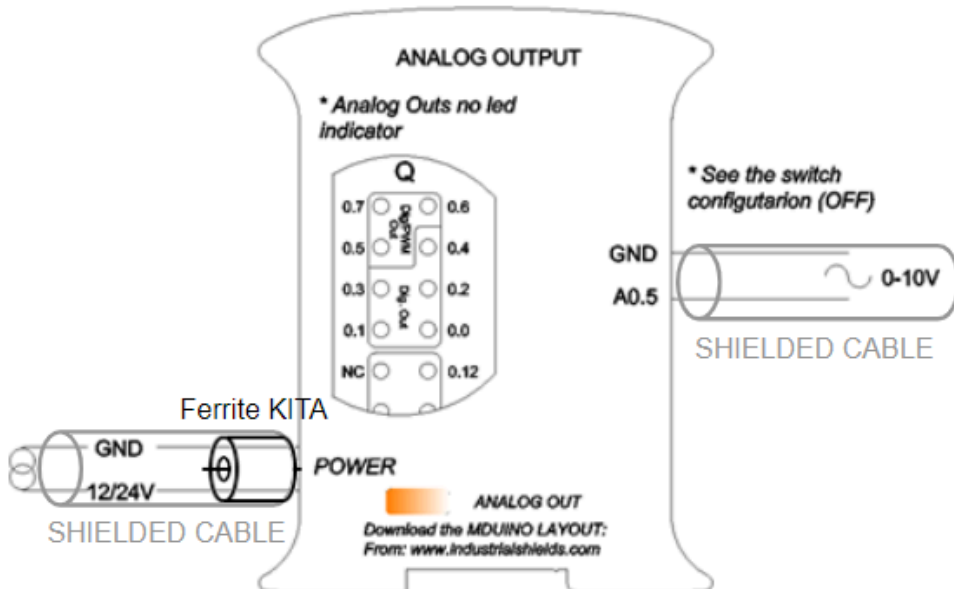
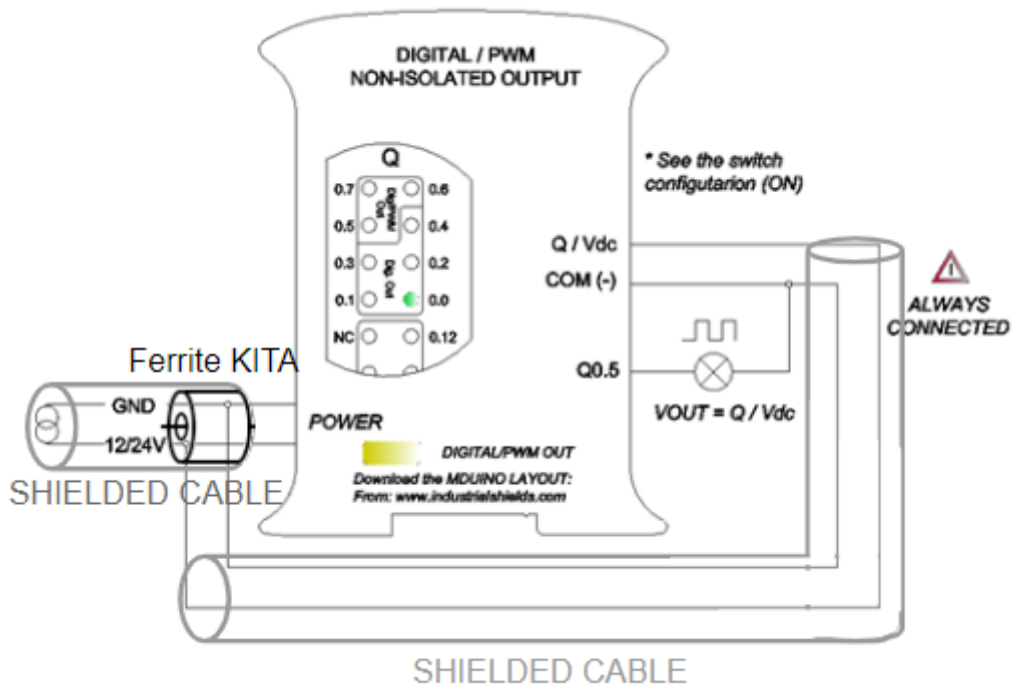












## 17 Connector details

The connector inside the PLCs that mounts on the PCB is [MC 0,5/10-G-2,5 - 1881529](#)<sup>16</sup> connector from Phoenix contact.

In the PLC we can find other connectors too, and these are the references for them:

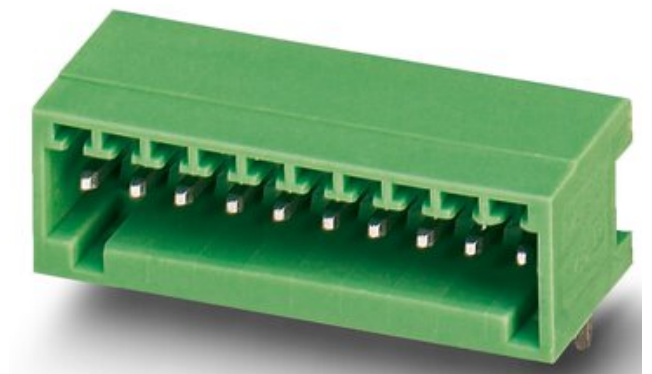
MC 0,5/ 4-G-2,5 - 1881464

MC 0,5/ 6-G-2,5 - 1881480

MC 0,5/ 9-G-2,5 - 1881516

Connection details (10 pins):

|                          |                           |
|--------------------------|---------------------------|
| <b>Article reference</b> | MC 0,5/10-G-2,5 - 1881529 |
| <b>Height</b>            | 8.1 mm                    |
| <b>Pitch</b>             | 2.5 mm                    |
| <b>Dimension</b>         | 22.5 mm                   |
| <b>Pin dimensions</b>    | 0.8 x 0.8 mm              |
| <b>Pin spacing</b>       | 2.5 mm                    |



<sup>16</sup> <https://www.phoenixcontact.com/en-us/products/pcb-header-mc-0510-g-25-1881529>

For I/O and power supply there is a [FK-MC 0,5/10-ST-2,5 - 1881406](#)<sup>17</sup> connector from Phoenix contact.

In the PLC we can find other connectors too, and these are the references for them:

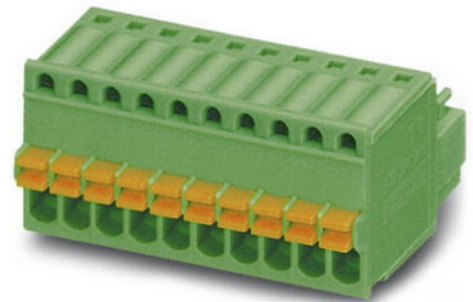
FK-MC 0,5/ 4-ST-2,5 - 1881341

FK-MC 0,5/ 6-ST-2,5 - 1881367

FK-MC 0,5/ 9-ST-2,5 - 1881396

Connection details (10 pins):

| Article reference                     | FK-MC 0,5/10-ST-2,5  |
|---------------------------------------|----------------------|
| <b>Rigid conduit section min.</b>     | 0,14 mm <sup>2</sup> |
| <b>Rigid conduit section max.</b>     | 0,5 mm <sup>2</sup>  |
| <b>Flexible conduit section min.</b>  | 0,14 mm <sup>2</sup> |
| <b>Flexible conduit section max.</b>  | 0,5 mm <sup>2</sup>  |
| <b>Conduit section AWG/kcmil min.</b> | 26                   |
| <b>Conduit section AWG/kcmil max.</b> | 20                   |



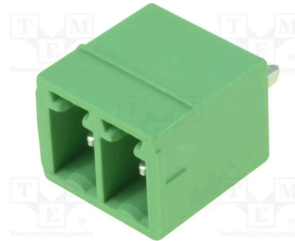
We can also find the relay connectors.

<sup>17</sup>

[https://es.farnell.com/phoenix-contact/fk-mc-0-5-10-st-2-5/plug-libre-muelle-2-5-mm-10-v/dp/1792814?CMP=KNC-GEN-KWL-PDP-High-Aov-phoenix-contact-15-July-22&mckv=\\_dc%7Cpcrid%7C603873204419%7C&gclid=Cj0KCQjw\\_viWBhD8ARIsAH1mCd4jIzLvIJs5K\\_3IEpaW5Anqo3FBLu1TwiPFtyKaiP-rj4LSly67bWoaAuLnEALw\\_wcB](https://es.farnell.com/phoenix-contact/fk-mc-0-5-10-st-2-5/plug-libre-muelle-2-5-mm-10-v/dp/1792814?CMP=KNC-GEN-KWL-PDP-High-Aov-phoenix-contact-15-July-22&mckv=_dc%7Cpcrid%7C603873204419%7C&gclid=Cj0KCQjw_viWBhD8ARIsAH1mCd4jIzLvIJs5K_3IEpaW5Anqo3FBLu1TwiPFtyKaiP-rj4LSly67bWoaAuLnEALw_wcB)

[MCV 1.5/ 2-G-3.81 1803426](#)<sup>18</sup> is the female connector, and [MC 1.5/ 2-ST-3.81, GTIN UPC](#)<sup>19</sup> is the male one. Both are from Phoenix Contact.

|                          |                           |
|--------------------------|---------------------------|
| <b>Article reference</b> | MCV 1,5/ 2-G-3,81 1803426 |
| <b>Height</b>            | 12.6 mm                   |
| <b>Pitch</b>             | 3.81 mm                   |
| <b>Dimension a</b>       | 3.81 mm                   |
| <b>Pin dimensions</b>    | 0.8 x 0.8 mm              |



|                          |                             |
|--------------------------|-----------------------------|
| <b>Article reference</b> | MC 1,5/ 2-ST-3,81 - 1803578 |
| <b>Height</b>            | 11.1 mm                     |
| <b>Pitch</b>             | 3.81 mm                     |
| <b>Dimension a</b>       | 3.81 mm                     |



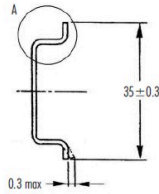
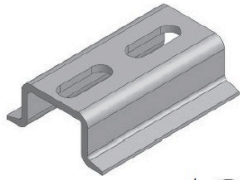
<sup>18</sup>

[https://www.tme.eu/es/details/mcv1.5\\_2-g-3.81/bloque-de-bornas-extraibles/phoenix-contact/mcv-1-5-2-g-3-81-1803426/?brutto=1&currency=EUR&gclid=Cj0KCQjw\\_viWBhD8ARIsAH1mCd763F0sGBmfjy5pmZm9dKysA6ePciWt8md8utGsZX1OfLpgsBx4mnoaAo9GEALw\\_wcB](https://www.tme.eu/es/details/mcv1.5_2-g-3.81/bloque-de-bornas-extraibles/phoenix-contact/mcv-1-5-2-g-3-81-1803426/?brutto=1&currency=EUR&gclid=Cj0KCQjw_viWBhD8ARIsAH1mCd763F0sGBmfjy5pmZm9dKysA6ePciWt8md8utGsZX1OfLpgsBx4mnoaAo9GEALw_wcB)

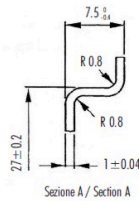
<sup>19</sup>

[https://es.farnell.com/phoenix-contact/1803578/terminal-block-pluggable-2pos/dp/3704907?gclid=Cj0KCQjw\\_viWBhD8ARIsAH1mCd6YjA37NqmaaFBXgbRyGExfAM8qDodVOWZPFyLLQhnVygDn8ufNslaAmgYEALw\\_wcB&mckv=\\_dc%7Cpcrid%7C575710444791%7Cplid%7C%7Ckword%7C%7Cmatch%7C%7Cslid%7C%7Cproduct%7C3704907%7Cpgrid%7C131987845643%7Cptaid%7Cpla-372506228807&CMP=KNC-GES-GEN-SMART-SHOPPING-High-Jan-2022&gross\\_price=true](https://es.farnell.com/phoenix-contact/1803578/terminal-block-pluggable-2pos/dp/3704907?gclid=Cj0KCQjw_viWBhD8ARIsAH1mCd6YjA37NqmaaFBXgbRyGExfAM8qDodVOWZPFyLLQhnVygDn8ufNslaAmgYEALw_wcB&mckv=_dc%7Cpcrid%7C575710444791%7Cplid%7C%7Ckword%7C%7Cmatch%7C%7Cslid%7C%7Cproduct%7C3704907%7Cpgrid%7C131987845643%7Cptaid%7Cpla-372506228807&CMP=KNC-GES-GEN-SMART-SHOPPING-High-Jan-2022&gross_price=true)

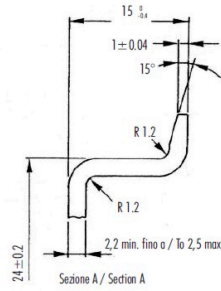
## 18 DIN Rail mounting



Profilato a cappello TH 35-7,5  
Top hat rail TH 35-7,5



Profilato a cappello TH 35-15  
Top hat rail TH 35-15



| CARATTERISTICHE                  | METODO                                 | UNITA' DI MISURA | BLENDE PC/ABS     |        |
|----------------------------------|--|------------------|-------------------|--------|
| <b>Meccaniche</b>                | Resistenza a trazione allo staccamento | ASTM D638        | MPa               | 68     |
|                                  | Resistenza a trazione a rottura        | ASTM D638        | MPa               | 48     |
|                                  | Allungamento a rottura                 | ASTM D638        | %                 | 59     |
|                                  | Modulo in flessione                    | ASTM D790        | MPa               | 2894   |
| <b>Termiche</b>                  | Proof Load con intaglio                | ISO 180/14       | KJ/m <sup>2</sup> | 5.5    |
|                                  | Temp. di rammolimento Visc. metodo B   | ASTM D1525       | °C                | 114    |
| <b>Fisiche</b>                   | Temperatura Kiersto 1.81 MPa           | ASTM D648        | °C                | 97     |
|                                  | Peso specifico                         | ASTM D792        | g/cm <sup>3</sup> | 1.21   |
|                                  | Dist. nello stampo                     | ASTM D955        | %                 | 0.40.6 |
| <b>Comportamento alla fiamma</b> | Heat Flow Index 260°C - 98N            | ASTM D1238       | g/10'             | 11.1   |
|                                  | Flu. Innescazione 3.2 mm               | IEC6052.1        | °C                | 960    |

Italtronic si riserva il diritto di modificare il materiale con cui realizza i propri prodotti senza obbligo di preavviso.

| FEATURES               | TEST METHOD                           | UNITS      | BLENDE PC/ABS     |        |
|------------------------|---------------------------------------|------------|-------------------|--------|
| <b>Mechanical test</b> | Resistance to tensile stress at yield | ASTM D638  | MPa               | 68     |
|                        | Tensile strength                      | ASTM D638  | MPa               | 48     |
|                        | Ultimate elongation                   | ASTM D638  | %                 | 59     |
|                        | Flexing modulus                       | ASTM D790  | MPa               | 2894   |
| <b>Thermal test</b>    | load test notched                     | ISO 180/14 | KJ/m <sup>2</sup> | 5.5    |
|                        | Visc softening temperature method B   | ASTM D1525 | °C                | 114    |
| <b>Physical test</b>   | Rolling temperature 1.81 MPa          | ASTM D648  | °C                | 97     |
|                        | Specific gravity                      | ASTM D792  | g/cm <sup>3</sup> | 1.21   |
|                        | Mold shrinkage                        | ASTM D955  | %                 | 0.40.6 |
| <b>Flame test</b>      | Heat Flow Index 260°C - 98N           | ASTM D1238 | g/10'             | 11.1   |
|                        | Self extinguisher (thickness in mm)   | IEC6052.1  | °C                | 960    |
|                        | Incandescence thread 3.2 mm           | IEC6052.1  | °C                | 960    |

Italtronic can operate any change of the materials without being obliged to forewarn.

**For optimal operation of the product, it must be located in an electrical cabinet with IK08 mechanical protection. The minimum IP protection degree required is IP56.**

## 19 Installation and Maintenance

### Notes for installation:

- The installation position should be free from the following: dust or oil smoke, conductive dust, corrosive or flammable gas, high temperature, condensation, and rain.
- Besides, vibration and impact also affect the PLC normal operation and shorten its lifespan; electric shock, fire or misact also damages the product. During drilling or wiring, prevent the metal particles or wire segments from falling into the PLC casing, which may cause fire, fault or misact.
- After the PLC installation, clean the ventilation duct to prevent blocking, which may cause bad ventilation, or even fire, faults or misact.
- Do not online connect, plug or unplug cables, which are apt to cause electric shock or damage the circuit. Installation and wire connection must be firm and reliable. Poor connection could cause a misact.
- Use shielded twisted pairs for the I/O of high frequency signal and analog signal to improve system IMS.

The installation environment should be free from dust, oil smoke, conductive particles, corrosive or flammable gases, high temperature, condensation, and rain.

Besides, vibration and impact also affect the PLC normal operation and shorten its lifespan. It is recommended to install the PLC, together with the matching switches and contactors, in a dedicated electric cabinet and keep the cabinet ventilated. If the location has high ambient temperature or heat generating equipment nearby, install forced convection devices on top or sides of the cabinet to avoid over-temperature. During drilling or wiring, prevent the metal particles or wire segments from falling into the PLC casing, which may cause fire, fault or misact. After the PLC installation, clean the ventilation duct to prevent blocking, which may cause bad ventilation, or even fire, faults or misact.

The only way to disconnect the equipment from the electrical network is by removing the connectors that feed the equipment. Once installed in the electrical cabinet it is very important to ensure the power connectors for proper operation.

### Separate the M-Duino Family PLC from heat, high voltage and electrical noise:

Always separate the devices that generate high voltage and high electrical noise from the M-Duino. When configuring the layout of the M-Duino inside your panel, consider the heat-generating devices and locate the electronic-type devices in the cooler areas of your cabinet. Reducing the exposure to a high-temperature environment will extend the operating life of any electronic device. Consider also the routing of the wiring for the devices in the electric cabinet. Avoid placing low-voltage signal wires and communications cables in the same tray with AC power wiring and high energy, rapidly-switched DC wiring.

Provide adequate clearance for cooling and wiring M-Duino. Is designed for natural convection cooling. For proper cooling, you must provide a clearance of at least 25 cm



above and below the devices. Also, allow at least 25 cm of depth between the front of the modules and the inside of the enclosure.

#### Notes for maintenance:

A well-planned and executed maintenance program is essential to the satisfactory operation of solid-state electrical equipment. The kind and frequency of the maintenance operation will vary with the kind and complexity of the equipment as well as with the nature of the operating conditions. Maintenance recommendations of the manufacturer or appropriate product standards should be followed.

The following factors should be considered when formulating a maintenance program:

- Maintenance must be performed by qualified personnel familiar with the construction, operation, and hazards involved with the control.
- Maintenance should be performed with the control out of operation and disconnected from all sources of power.
- Care should be taken when servicing electrostatic sensitive components. The manufacturer's recommendations for these components should be followed.
- Ventilation passages should be kept open. If the equipment depends upon auxiliary cooling, e.g., air, water, or oil, periodic inspection (with filter replacement when necessary) should be made of these systems.
- The means employed for grounding or insulating the equipment from ground should be checked to assure its integrity.
- Accumulations of dust and dirt on all parts, including on semiconductor heat sinks, should be removed according to the manufacturer's instructions, if provided; otherwise, the manufacturer should be consulted. Care must be taken to avoid damaging any delicate components and to avoid displacing dust, dirt, or debris in a way that permits it to enter or settle into parts of the control equipment.
- Enclosures should be inspected for evidence of deterioration. Accumulated dust and dirt should be removed from the top of the enclosures before opening doors or removing covers.
- Certain hazardous materials removed as part of maintenance or repair procedure (e.g. polychlorinated biphenyls (PCBs) found in some liquid filled capacitors) must be disposed of as described in Federal regulations.

#### Safety rules for maintenance personnel

Consider the following steps to follow. A false manoeuvre could be the cause of an accident or material damage.

Do not disassemble or modify the modules. This could lead to breakdowns or malfunctions and could lead to injuries or fire.

- All types of radio communication devices, including mobile phones and personal handy-phone systems (PHS), must be kept more than **25 cm** away from the PLC in all directions. Failure to observe this precaution exposes malfunctions caused by an excess of temperature.
- Disconnect the external power supply of the system (on all phases) before connecting or disconnecting a module. Failure to observe this precaution may cause faults or malfunctions of the module.

- Tighten the screws of the terminal ports and the screws of the connectors within the prescribed tightening torque. Insufficient tightening can lead to loose parts or wires and cause malfunctions. Excessive tightening can damage the screws and / or the module, with the risk of falling, short circuits and malfunctions.
- Before handling a module, dispose of the electrostatic charge accumulated by the human body by touching a suitable conductive object. Failure to observe this precaution may cause faults or malfunctions of the module.

**Repair note:**

If the equipment is suitable to be repaired, it must be verified that the equipment remains in a safe state after repair.

## 20 Revision Table

| Revision Number | Date       | Changes   |
|-----------------|------------|---|
| 0               | 30/07/2020 | First implementation                                  |
| 1               | 11/08/2020 | Added DALI Communication                              |
| 2               | 05/10/2022 | M-Duino DALI Family User Manual Implementation        |
| 3               | 11/03/2024 | Added section 14 "Digital inputs threshold detection" |
| 4               | 26/09/2024 | Added section 3.4 ("Isolation Precautions")           |
| 5               | 03/12/2024 | Removed wrong IORef pin reference                     |
|                 |            |   |

About Industrial Shields:

Direction: Camí del Grau, nº25

Zip/Postal Code: 08272

City: Sant Fruitós de Bages (Barcelona)

Country: Spain

Telephone: (+34) 938 760 191 / (+34) 635 693 611

Mail: [industrialshields@industrialshields.com](mailto:industrialshields@industrialshields.com)



INDUSTRIAL SHIELDS

## M-DUINO GPRS PLC ARDUINO FAMILY

M-DUINO GPRS PLC ARDUINO  
FAMILY



# PLC M-Duino GPRS Family

## User Guide

**Revised December 2024**

## Preface

This User Guide has been implemented by Boot & Work, S.L. working under the name Industrial Shields.

### Purpose of the manual

The information contained in this manual can be used as a reference to operating, to functions, and to the technical data of the signal modules, power supply modules and interface modules.

### Intended Audience

This User Guide is intended for the following audience:

- Persons in charge of introducing automation devices.
- Persons who design automation systems.
- Persons who install or connect automation devices.
- Persons who manage working automation installation.



#### Warnings:

- Unused pins should not be connected. Ignoring the directive may damage the controller.
- Improper use of this product may severely damage the controller.
- Refer to the controller's User Guide regarding wiring considerations.
- Before using this product, it is the responsibility of the user to read the product's User Guide and all accompanying documentation.
- Maintenance must be performed by qualified personnel familiarised with the construction, operation, and hazards involved with the control.
- Maintenance should be performed with the control out of operation and disconnected from all sources of power.
- Care should be taken when servicing electrostatic sensitive components. The manufacturer's recommendations for these components should be followed.

- The M-Duino GPRS Family PLCs are Open Type Controllers. It is required that you install the M-Duino GPRS PLC in a housing, cabinet, or electric control room. Entry to the housing, cabinet, or electric control room should be limited to authorised personnel. Failure to follow these installation requirements could result in severe personal injury and/or property damage. Always follow these requirements when installing M-Duino family PLCs.
- In case of installation or maintenance of the M-Duino please follow the instructions marked in the Installation and Maintenance section.
- Do not disconnect equipment when a flammable or combustible atmosphere is present. Disconnection of equipment when a flammable or combustible atmosphere is present may cause a fire or explosion which could result in death, serious injury and/or property damage.



### Avertissements:

- Les broches non utilisées ne doivent pas être connectées. Ignorer la directive peut endommager le contrôleur.
- Une utilisation incorrecte de ce produit peut endommager gravement le contrôleur.
- Reportez-vous au Guide de l'utilisateur du contrôleur pour les considérations de câblage.
- Avant d'utiliser ce produit, il incombe à l'utilisateur de lire le Guide de l'utilisateur du produit et la documentation qui l'accompagne.
- La maintenance doit être effectuée par personnel qualifié familiarisé avec la fabrication, le fonctionnement et les dangers liés au contrôleur.
- La maintenance doit être effectuée avec l'équipement hors service et déconnectée de toutes les sources d'alimentation.
- Faites attention lors de l'entretien des composants sensibles à l'électricité statique. Les recommandations du fabricant pour ces composants doivent être suivies.
- Les automates de la famille M-Duino sont des contrôleurs de type ouvert. Il est nécessaire d'installer l'automate M-Duino dans un boîtier, une armoire ou une salle de contrôle électrique. L'accès au boîtier, à l'armoire ou à la salle de commande électrique doit être limité au personnel autorisé. Le non-respect de ces exigences d'installation peut entraîner des blessures graves et/ou des dommages matériels importants. Respectez toujours ces exigences lors de l'installation des automates de la famille M-Duino.
- En cas d'installation ou de maintenance du M-Duino, veuillez suivre les instructions indiquées dans la section Installation et Maintenance.
- Ne débranchez pas l'équipement en présence d'une atmosphère inflammable ou combustible. La déconnexion de l'équipement en présence d'une atmosphère inflammable ou combustible peut provoquer un incendie ou une explosion pouvant entraîner la mort, des blessures graves et/ou des dommages matériels.

## Application Considerations and Warranty

### Read and understand this manual

Please read and understand this manual before using the product. Please consult your comments or questions to Industrial Shields before using the product.

### Application Consideration

THE PRODUCTS CONTAINED IN THIS DOCUMENT ARE NOT SAFETY RATED. THEY SHOULD NOT BE RELIED UPON AS A SAFETY COMPONENT OR PROTECTIVE DEVICE FOR ENSURING SAFETY OF PERSONS, AS THEY ARE NOT RATED OR DESIGNED FOR SUCH PURPOSES.

Please know and observe all prohibitions of use applicable to the products.

FOR AN APPLICATION INVOLVING SERIOUS RISK TO LIFE OR PROPERTY WITHOUT ENSURING THAT THE SYSTEM AS A WHOLE HAS BEEN DESIGNED TO ADDRESS THE RISKS, NEVER USE THE INDUSTRIAL SHIELDS PRODUCTS.

NEVER USE THE INDUSTRIAL SHIELDS PRODUCTS BEFORE THEY ARE PROPERLY RATED AND INSTALLED FOR THE INTENDED USE WITHIN THE OVERALL EQUIPMENT OR SYSTEM.

Industrial Shields shall not be responsible for conformity with any codes, regulations or standards that apply to the combination of products in the customer's application or use of the product.

The following are some examples of applications for which particular attention must be given. This is not intended to be an exhaustive list of all possible uses of the products, nor is it intended to imply that the uses may be suitable for the products:

- Systems, machines, and equipment that could present a risk to life or property.
- Nuclear energy control systems, combustion systems, railroad systems, aviation systems, medical equipment, amusement machines, vehicles, safety equipment, and installation subject to separate industry or government regulations.
- Outdoor use, uses involving potential chemical contamination or electrical interference, or conditions or uses not described in this document.

At the customer's request, INDUSTRIAL SHIELDS will provide applicable third party certification documents identifying ratings and limitations of use that apply to the products. This information by itself is not sufficient for a complete determination of the suitability of the products in combination with the system, machine, end product, or other application or use.



## Intended use of Industrial Shields products

### Consider the following:

Industrial Shields products should only be used for the cases of application foreseen in the catalogue and the associated technical documentation. If third-party products and components are used, they must have been recommended or approved by Industrial Shields.

The correct and safe operation of the products requires that your transport, storage, installation, assembly, operation and maintenance have been carried out in a correct manner. It must respect the permissible ambient conditions. You should also follow the indications and warnings that appear in the associated documentation.

The product / system dealt with in this documentation should only be handled or manipulated by qualified personnel for the task entrusted and observing what is indicated in the documentation corresponding to it, particularly the safety instructions and warnings included in it. Due to their training and experience, qualified personnel are in a position to recognize risks resulting from the handling or manipulation of such products / systems and to avoid possible hazards.

## Disclaimers

### Weights and Dimensions

Dimensions and weights are nominal and they are not used for manufacturing purposes, even when tolerances are shown.

### Performance Data

The performance data given in this manual is provided as a guide for the user in determining suitability and does not constitute a warranty. It may represent the result of INDUSTRIAL SHIELDS's test conditions, and the users must correlate it to actual application requirements. Actual performance is subject to the INDUSTRIAL SHIELDS Warranty and Limitations of Liability.

## Errors and Omissions

The information in this document has been carefully checked and is believed to be accurate; however, no responsibility is assumed for clerical, typographical, or proofreading errors, or omissions.

## Residual Risks

The control and drive components of an Industrial Shields PLC are approved for industrial and commercial use in industrial line supplies. Their use in public line supplies requires a different configuration and/or additional measures. These components may only be operated in closed housings or in higher-level control cabinets with protective covers that are closed, and when all of the protective devices are used. These components may only be handled by qualified and trained technical personnel who are knowledgeable and observe all of the safety information and instructions on the components and in the associated technical user documentation. When carrying out a risk assessment of a machine in accordance with the EU Machinery Directive, the machine manufacturer must consider the following residual risks associated with the control and drive components of a PDS.

1. Unintentional movements of driven machine components during commissioning, operation, maintenance, and repairs caused by, for example: – Hardware defects and/or software errors in the sensors, controllers, actuators, and connection technology – Response times of the controller and drive – Operating and/or ambient conditions not within the scope of the specification – Condensation / conductive contamination – Parameterization, programming, cabling, and installation errors – Use of radio devices / cellular phones in the immediate vicinity of the controller – External influences / damage.
2. Exceptional temperatures as well as emissions of noise, particles, or gas caused by, for example: – Component malfunctions – Software errors – Operating and/or ambient conditions not within the scope of the specification – External influences / damage.
3. Hazardous shock voltages caused by, for example: – Component malfunctions – Influence of electrostatic charging – Induction of voltages in moving motors – Operating and/or ambient conditions not within the scope of the specification – Condensation / conductive contamination – External influences / damage
4. Electrical, magnetic and electromagnetic fields generated in operation that can pose a risk to people with a pacemaker, implants or metal replacement joints, etc. if they are too close.
5. Release of environmental pollutants or emissions as a result of improper operation of the system and/or failure to dispose of components safely and correctly.

## Warranty and Limitations of Liability

### Warranty

Industrial Shields's exclusive warranty is that the products are free from defects in materials and workmanship for a period of one year (or other period if specified) from date of sale by Industrial Shields.

INDUSTRIAL SHIELDS MAKES NO REPRESENTATION OR WARRANTY, EXPRESSED OR IMPLIED, REGARDING MERCHANTABILITY, NON-INFRINGEMENT, OR FITNESS FOR PARTICULAR PURPOSE OF THE PRODUCTS. ANY BUYER OR USER ACKNOWLEDGES THAT THE BUYER OR USER ALONE HAS DETERMINED THAT THE PRODUCTS WILL SUITABLY MEET THE REQUIREMENTS OF THEIR INTENDED USE. INDUSTRIAL SHIELDS DISCLAIMS ALL OTHER WARRANTIES, EXPRESS OR IMPLIED

### Limitations of Liability

INDUSTRIAL SHIELDS SHALL NOT BE RESPONSIBLE FOR SPECIAL, INDIRECT, OR CONSEQUENTIAL DAMAGES, LOSS OF PROFITS OR COMERCIAL LOSS IN ANY WAY CONNECTED WITH THE PRODUCTS, WHETHER SUCH CLAIM IS BASED ON CONTRACT, WARRANTY, NEGLIGENCE, OR STRICT LIABILITY.

IN NO EVENT SHALL INDUSTRIAL SHIELDS BE RESPONSIBLE FOR WARRANTY, REPAIR OR OTHER CLAIMS REGARDING THE PRODUCTS UNLESS INDUSTRIAL SHIELDS'S ANALYSIS CONFIRMS THAT THE PRODUCTS WERE PROPERLY HANDLED, STORED, INSTALLED, AND MAINTAINED AND NOT SUBJECT TO CONTAMINATION, ABUSE, MISUSE, OR INAPPROPRIATE MODIFICATION OR REPAIR.

## ETL Listing Mark-Direct Imprint information

### Recognized Component ETL Classified



#### Conforms to:

UL Std. 61010-1  
UL Std. 61010-2-201  
Cert. To CSA Std. C22.2 No. 61010-1  
Cert. To CSA Std. C22.2 No.61010-2-201

#### Place for control

number:  
5016476

# Table of Contents

|   |           |
|---|-----------|
| <b>1 General Description M-DUINO GPRS product</b>             | <b>10</b> |
| 1.1 Zone - Nomenclature                                       | 10        |
| 1.2 Reference table   | 11        |
| 1.3 Zones Table   | 12        |
| 1.4 A Zone Features   | 13        |
| 1.5 Mechanical dimensions and weights                         | 13        |
| 1.6 General Features  | 14        |
| 1.7 Power consumption of the M-Duino LoRa Family PLCs         | 16        |
| <b>2 Technical Specifications</b>                             | <b>17</b> |
| 2.1 General Specifications                                    | 17        |
| 2.2 Performance Specification                                 | 17        |
| 2.3 Symbology   | 18        |
| <b>3 Precautions</b>  | <b>19</b> |
| 3.1 Arduino Board   | 19        |
| 3.2 Intended Audience   | 19        |
| 3.3 General Precautions                                       | 19        |
| 3.4 Isolation Precautions                                     | 19        |
| <b>4 M-Duino Pinout</b>                                       | <b>20</b> |
| <b>5 Serigraphy</b>   | <b>21</b> |
| 5.1 A Zone connection (Communications)                        | 21        |
| 5.2 Analog/Digital Zone connection (I/Os)                     | 23        |
| 5.3 Relay Zone connection (I/Os)                              | 24        |
| 5.4 Interrupt equivalence table                               | 25        |
| <b>6 Software interface</b>                                   | <b>26</b> |
| <b>7 How to connect PLC Arduino to PC</b>                     | <b>29</b> |
| <b>8 How to connect PLC to power supply</b>                   | <b>30</b> |
| <b>9 Switch configuration</b>                                 | <b>31</b> |
| 9.1 A Zone: Communications                                    | 31        |
| 9.2 Digital/Analogic Shield Switches                          | 33        |
| 9.3 Relay Shield Switches                                     | 34        |
| <b>10 M-Duino Arduino I/Os 5V pins</b>                        | <b>35</b> |
| 10.1 I2C pins – SDA/SCL                                       | 35        |
| 10.2 Serial 0 – RX0/TX0                                       | 36        |
| 10.3 SPI – MISO/MOSI/SCK                                      | 36        |
| 10.4 Pin 3  | 36        |
| <b>11 A Zone Features: Communications &amp; RTC &amp; uSD</b> | <b>37</b> |

|   |           |
|---|-----------|
| 11.1 RS-232   | 37        |
| 11.2 RS-485   | 37        |
| 11.3 I2C  | 38        |
| 11.4 SPI  | 38        |
| 11.5 TTL  | 38        |
| 11.6 Ethernet   | 38        |
| 11.7 GPRS & GSM   | 39        |
| 11.8 RTC  | 40        |
| 11.9 uSD  | 40        |
| <b>12 GPRS &amp; GSM Programming Examples</b>                                     | <b>42</b> |
| 12.1 How to use the GPRS Module   | 42        |
| 12.2 How to send SMS using GPRS from an M-Duino                                   | 42        |
| <b>13 Instructions for interconnection between Industrial Shields controllers</b> | <b>43</b> |
| 13.1 RS-232 Communication:  | 43        |
| 13.2 RS-485 Communication:  | 43        |
| 13.2.1 Half Duplex  | 43        |
| 13.2.2 Full Duplex  | 44        |
| 13.3 Ethernet   | 44        |
| <b>14 Digital inputs threshold detection</b>                                      | <b>44</b> |
| <b>15 I/O technical details:</b>  | <b>45</b> |
| <b>16 Typical Connections</b>   | <b>47</b> |
| <b>17 Connector details</b>   | <b>52</b> |
| <b>18 DIN Rail mounting</b>   | <b>55</b> |
| <b>19 Installation and Maintenance</b>  | <b>56</b> |
| <b>20 Revision Table</b>  | <b>59</b> |



INDUSTRIAL SHIELDS

## 1 General Description M-DUINO GPRS product

### 1.1 Zone - Nomenclature

The nomenclature shown in this point will be used in the whole User Guide, so it is important to understand this nomenclature.

The nomenclature to differentiate the zones is based on the Alphabet, being A the shield from below and D the shield from above. Having a B and a C in the middle of them.:

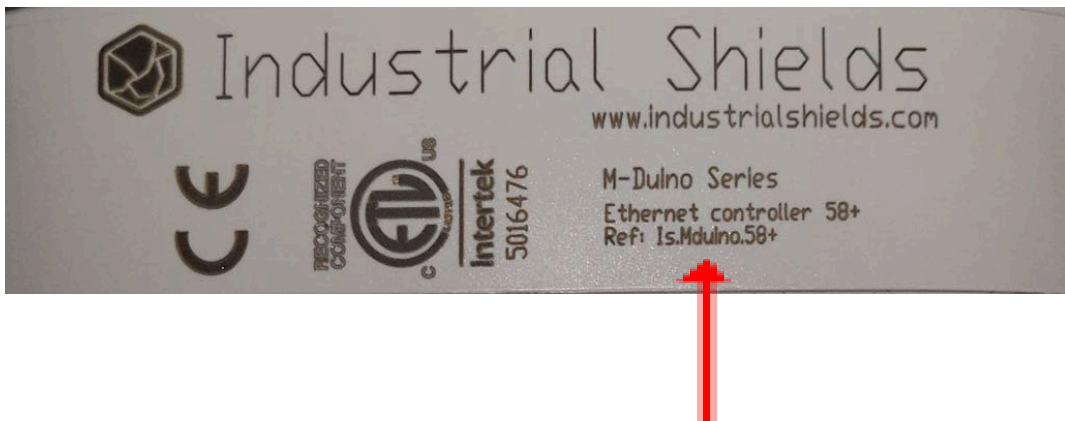


- The inputs in the zone B are named IO.X, being X any number suitable in the Shield. Outputs are named as Q0.X and relays as R0.X
- The inputs in the zone C are named I1.X, being X any number suitable in the Shield. Outputs are named as Q1.X and relays as R1.X
- The inputs in the zone D are named I2.X, being X any number suitable in the Shield. Outputs are named as Q2.X and relays as R2.X

## 1.2 Reference table

| Reference Table  |              |
|--|--------------|
| Model  | Reference    |
| PLC M-Duino General Family   |              |
| M-DUINO PLC Arduino Ethernet & GPRS 19R I/Os Relay / Analog / Digital PLUS   | 006001000100 |
| M-DUINO PLC Arduino Ethernet & GPRS 21 I/Os Analog/Digital PLUS              | 006001000200 |
| M-DUINO PLC Arduino Ethernet & GPRS 38AR I/Os Relay / Analog / Digital PLUS  | 006001000700 |
| M-DUINO PLC Arduino Ethernet & GPRS 38R I/Os Relay / Analog / Digital PLUS   | 006001000300 |
| M-DUINO PLC Arduino Ethernet & GPRS 42 I/Os Analog/Digital PLUS              | 006001000400 |
| M-DUINO PLC Arduino Ethernet & GPRS 50RRA I/Os Relay / Analog / Digital PLUS | 006001000900 |
| M-DUINO PLC Arduino Ethernet & GPRS 53ARR I/Os Relay / Analog / Digital PLUS | 006001001000 |
| M-DUINO PLC Arduino Ethernet & GPRS 54ARA I/Os Relay / Analog / Digital PLUS | 006001001100 |
| M-DUINO PLC Arduino Ethernet & GPRS 57AAR I/Os Relay / Analog / Digital PLUS | 006001000800 |
| M-DUINO PLC Arduino Ethernet & GPRS 57R I/Os Relay / Analog / Digital PLUS   | 006001000500 |
| M-DUINO PLC Arduino Ethernet & GPRS 58 I/Os Analog/Digital PLUS              | 006001000600 |

To find the reference of your M-Duino GPRS PLC, check the arrow in the picture below. In the example, the reference is:



### 1.3 Zones Table

| Model                   | Zones Table |                  |                  |                  |
|-------------------------|-------------|------------------|------------------|------------------|
|                         | Zone A      | Zone B           | Zone C           | Zone D           |
| M-Duino GPRS PLC 19R+   | ✓           | Relay            | -                | -                |
| M-Duino GPRS PLC 21+    | ✓           | Analog / Digital | -                | -                |
| M-Duino GPRS PLC 38AR+  | ✓           | Analog / Digital | Relay            | -                |
| M-Duino GPRS PLC 38R+   | ✓           | Relay            | Relay            | -                |
| M-Duino GPRS PLC 42+    | ✓           | Analog / Digital | Analog / Digital | -                |
| M-Duino GPRS PLC 50RRA+ | ✓           | Relay            | Relay            | Analog / Digital |
| M-Duino GPRS PLC 53ARR+ | ✓           | Analog / Digital | Relay            | Relay            |
| M-Duino GPRS PLC 54ARA+ | ✓           | Analog / Digital | Relay            | Analog / Digital |
| M-Duino GPRS PLC 57AAR+ | ✓           | Analog / Digital | Analog / Digital | Relay            |
| M-Duino GPRS PLC 57R+   | ✓           | Relay            | Relay            | Relay            |
| M-Duino GPRS PLC 58+    | ✓           | Analog / Digital | Analog / Digital | Analog / Digital |

The distribution of the different features that provide the M-Duino GPRS PLC Family is the following one:

| Shield        | B Zone   | C Zone  | D Zone   |
|---------------|--|---|--|
| Analog Shield | <p>12 Inputs<br/>(12 Digital Inputs, 6 of which can work as Analog Input)</p> <p>8 Outputs<br/>(8 Digital Outputs, 3 of which can work as Analog Output)</p>               | <p>11 Inputs<br/>(11 Digital Inputs, 6 of which can work as Analog Input)</p> <p>8 Outputs<br/>(8 Digital Outputs, 3 of which can work as Analog Output)</p>              | <p>10 Inputs<br/>(10 Digital Inputs, 4 of which can work as Analog Input)</p> <p>6 Outputs<br/>(6 Digital Outputs, 2 of which can work as Analog Outputs)</p>              |
| Relay Shield  | <p>5 inputs<br/>(5 Digital Inputs, 4 of which can work as Analog Input)</p> <p>3 Outputs<br/>(3 Digital Outputs, 3 of which can work as Analog Output)</p> <p>8 Relays</p> | <p>5inputs<br/>(5 Digital Inputs, 4 of which can work as Analog Input)</p> <p>3 Outputs<br/>(3 Digital Outputs, 3 of which can work as Analog Output)</p> <p>8 Relays</p> | <p>6 inputs<br/>(6 Digital Inputs, 4 of which can work as Analog Input)</p> <p>2 Outputs<br/>(2 Digital Outputs, 2 of which can work as Analog Output)</p> <p>7 Relays</p> |



## 1.4 A Zone Features

| Shield               | A Zone   |
|----------------------|--|
| Communication Shield | (1x) Ethernet<br>(1x) USB<br>(1x) I2C<br>(1x) TTL<br>(1x) RS-232<br>(1x) HALF/FULL Duplex RS-485<br>(1x) SPI external Port<br>(1x) RTC<br>(1x) uSD Socket<br>(1x) GPRS/GSM |

## 1.5 Mechanical dimensions and weights

| Model                   | Measures Table |            |            |                |
|-------------------------|----------------|------------|------------|----------------|
|                         | Height (mm)    | Width (mm) | Depth (mm) | Max weight (g) |
| M-Duino GPRS PLC 19R+   | 119.5          | 70.1       | 101        | 394            |
| M-Duino GPRS PLC 21+    | 119.5          | 70.1       | 101        | 394            |
| M-Duino GPRS PLC 38AR+  | 119.5          | 94.7       | 101        | 504            |
| M-Duino GPRS PLC 38R+   | 119.5          | 94.7       | 101        | 504            |
| M-Duino GPRS PLC 42+    | 119.5          | 94.7       | 101        | 504            |
| M-Duino GPRS PLC 50RRA+ | 119.5          | 119.3      | 101        | 614            |
| M-Duino GPRS PLC 53ARR+ | 119.5          | 119.3      | 101        | 614            |
| M-Duino GPRS PLC 54ARA+ | 119.5          | 119.3      | 101        | 614            |
| M-Duino GPRS PLC 57AAR+ | 119.5          | 119.3      | 101        | 614            |
| M-Duino GPRS PLC 57R+   | 119.5          | 119.3      | 101        | 614            |
| M-Duino GPRS PLC 58+    | 119.5          | 119.3      | 101        | 614            |

## 1.6 General Features

| CONNECTABLE PLC ARDUINO 24Vcc M-DUINO        |   |   |
|--|---|---|
| MODEL TYPE                                   | Controller General Specifications   | Information   |
| <b>Input Voltage</b>                         | 12 to 24Vdc<br>— — —  | Fuse protection (2.5A)<br>Polarity protection   |
| <b>Input rated voltage</b>                   | 24Vdc<br>— — —  |   |
| <b>Rated Power</b>                           | 30 W  |   |
| <b>I max.</b>                                | 1.5A  |   |
| <b>Size</b>                                  | <a href="#">Check size and weight table</a>   |   |
| <b>Clock Speed</b>                           | 16MHz   |   |
| <b>Flash Memory</b>                          | 256KB of which 8KB used by bootloader   |   |
| <b>SRAM</b>                                  | 8KB   |   |
| <b>EEPROM</b>                                | 4KB   |   |
| <b>Communications</b>                        | I2C – Ethernet Port – USB – RS485 – RS232 – SPI – (3x)<br>RX, TX (Arduino pins)   | Max232-Max485-W5500 -<br>Sim800L  |
| <b>USB consideration!</b>                    | <b>Only meant for uploading or debugging, not always connected as a serial in a project!</b>  | <b>Cannot be working in a final application</b>   |
| <b>An/Dig Input 10bit</b><br>(0-10Vcc)       | 0 to 10Vdc<br>Input Impedance: 39K<br>Separated PCB ground<br>Rated Voltage: 10Vdc<br><br>5 to 24Vdc<br>I min: 2 to 12mA<br>Galvanic Isolation<br>Rated Voltage: 24Vdc<br>— — — | Max read time: 116us<br><br>*Check <a href="#">Section 14</a> for digital inputs threshold detection  |
| <b>Digital Isolated Input</b><br>(24Vcc)     | 5 to 24Vdc<br>I min: 2 to 12mA<br>Galvanic Isolation<br>Rated Voltage: 24Vdc<br>— — —   | All Digital Inputs are PNP.<br>Click <a href="#">here</a> <sup>1</sup> for more information.<br><br>Max read time: 8us  |
| <b>* Interrupt isolated Input HS</b> (24Vcc) | 5 to 24Vdc<br>I min: 2 to 12mA<br>Galvanic Isolation<br>Rated Voltage: 24Vdc<br>— — —   | Max read time: 8us  |
| <b>Analog Output 8bit</b><br>(0-10Vcc)       | 0 to 10Vdc<br>I max: 20mA<br>Separated PCB ground<br>Rated Voltage: 10Vdc<br>— — —  | Output frequency: 2Hz<br><br>Rising edge time: 150ms<br>Falling edge time: 252ms  |
| <b>Digital Isolated Output</b><br>(24Vcc)    | 5 to 24Vdc<br>I max: 70mA<br>Galvanic Isolation<br>Diode Protected for Relay<br>Rated Voltage: 24Vdc<br>— — —   | I <sub>max</sub> 24Vdc: 410mA<br><br>With 70 us delay,<br>freq is 6.849MHz<br>with pulse width of 106us<br><br>Rising edge time: 476ns<br>Falling edge time: 42.8us |

<sup>1</sup> <https://www.industrialshields.com/blog/arduino-industrial-1/post/npn-digital-inputs-on-industrial-plc-193>

|  |  |   |
|--|--|---|
| <b>Digital Isolated Output</b><br>Relay  | 30Vdc / 250Vac<br>Galvanic Isolation<br>Diode protected for Relay<br>==                                    | I <sub>max</sub> : 3A (30Vdc)<br>I <sub>max</sub> : 5A (250Vac)                 |
| <b>PWM Isolated Output</b><br><b>8bit</b> (24Vcc)                              | 5 to 24Vdc<br>I max: 70mA<br>Galvanic Isolation<br>Diode Protected for Relay<br>Rated Voltage: 24Vdc<br>== |   |
| <b>Direct Arduino Pin</b><br>Output  | 0 to 5Vdc<br>I max: 40mA<br>Rated Voltage: 5Vdc  | Max frequency: 77kHz<br><br>Rising edge time: 200ns<br>Falling edge time: 200ns |
| <b>Direct Arduino Pin</b><br>Input   | 0 to 5Vdc<br>I max: 40mA<br>Rated Voltage: 5Vdc  | Max read time: 8us  |
| <b>I2C Pin</b>   | 5V Pull-up   | Max frequency: 100kHz<br>Rising edge time: 10us<br>Falling edge time: 150ns     |
| <b>One-Wire Pin</b>  | Usable pins:<br>Pin3, SCL, SDA, RX0, TX0,<br>MISO, MOSI, SCK   | Frequency: 800kHz   |
| <b>Expandability</b>   | I2C - 127 elements - Serial Port RS232/RS485   |   |
| <b>* By using this type of signal can no longer use Digital signal (24Vdc)</b> |  |   |

## 1.7 Power consumption of the M-Duino LoRa Family PLCs

| Model  | Current resting (mA) | Power resting (W) | Current active (mA) | Power active (W) |
|--------|----------------------|-------------------|---------------------|------------------|
| 21+    | 99                   | 2,376             | 120                 | 2,88             |
| 42+    | 92                   | 2,208             | 128                 | 3,072            |
| 58+    | 76                   | 1,824             | 126                 | 3,024            |
| 19R+   | 80                   | 1,92              | 202                 | 4,848            |
| 38R+   | 77                   | 1,848             | 313                 | 7,512            |
| 57R+   | 73                   | 1,752             | 425                 | 10,2             |
| 38AR+  | 72                   | 1,728             | 221                 | 5,304            |
| 53ARR+ | 71                   | 1,704             | 323                 | 7,752            |
| 57AAR+ | 71                   | 1,704             | 221                 | 5,304            |
| 54ARA+ | 76                   | 1,824             | 231                 | 5,544            |
| 50RRA+ | 82                   | 1,968             | 322                 | 7,728            |

The power consumption is measured at 24Vdc.



The **current resting** column denotes the minimum current drawn by the PLC when all outputs are at a LOW level, representing the PLC's baseline power consumption.

In contrast, the **current active** column reflects the current drawn by the PLC when all outputs are at a HIGH level, and there are no connections to any of the outputs. While this value is not the absolute maximum the Arduino based PLC can draw, it serves as a reference point for expected current values.

It's important to note that the practical maximum current may vary depending on the type of actuators connected to the outputs and the number of I/Os used. The actual consumption can be influenced by the specific configuration and load connected to the PLC's outputs."

## 2 Technical Specifications

### 2.1 General Specifications




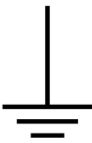




| Item                            |                              | M-Duino GPRS Family PLC   |
|---------------------------------|------------------------------|---|
| Power supply voltage            | DC power supply              | 12 to 24Vdc   |
| Operating voltage range         | DC power supply              | 11.4 to 25.4Vdc    |
| Power consumption               | DC power supply              | 30W max.  |
| External power supply           | Power supply voltage         | 24Vdc    |
|                                 | Power supply output capacity | 700mA   |
| Insulation resistance           |                              | 20MΩ min.at 500Vdc between the AC terminals and the protective earth terminal.  |
| Dielectric strength             |                              | 2.300Vac at 50/60 Hz for one minute with a leakage current of 10mA max. Between all the external AC terminals and the protective ground terminal. |
| Shock resistance                |                              | 80m/s <sup>2</sup> in the X, Y and Z direction 2 times each.  |
| Ambient temperature (operating) |                              | 0° to 60°C  |
| Ambient humidity (operating)    |                              | 10% to 90% (no condensation)  |
| Ambient environment (operating) |                              | With no corrosive gas   |
| Ambient temperature (storage)   |                              | -20° to 60°C  |
| Power supply holding time       |                              | 2ms min.  |
| Weight                          |                              | <a href="#">Check size and weight table</a>   |

### 2.2 Performance Specification

|                         |   |
|-------------------------|---|
| Arduino Board           | ARDUINO MEGA 2560   |
| Control method          | Stored program method   |
| I/O control method      | Combination of the cyclic scan and immediate refresh processing methods.  |
| Programming language    | Arduino IDE. Based on wiring (Wiring is an Open Source electronics platform composed of a programming language. "similar to the C". <a href="http://arduino.cc/en/Tutorial/HomePage">http://arduino.cc/en/Tutorial/HomePage</a> ) |
| Microcontroller         | ATmega2560  |
| Flash Memory            | 256KB of which 8KB are used by the bootloader   |
| Program capacity (SRAM) | 8KB   |
| EEPROM                  | 4KB   |
| Clock Speed             | 16MHz   |

## 2.3 Symbology

Table that includes all the symbology that is used in the serigraph of the M-Duino GPRS PLC Family:

| Symbol  | Standard No. / Standard Title                      | Standard Reference No. / Symbol Title | Symbol Meaning   |
|---|--|---------------------------------------|--|
|    | IEC 60417 / Graphical symbols for use on equipment | 5031 / Direct Current                 | Indicates that the equipment is suitable for direct current only; to identify relevant terminals               |
|    | IEC 60417 / Graphical symbols for use on equipment | 5032 / Alternating Current            | Indicates that the equipment is suitable for alternating current only; to identify relevant terminals          |
|   | IEC 60417 / Graphical symbols for use on equipment | 5130 / Pulse General                  | To identify the control by which a pulse is started.   |
|  | IEC 60417 / Graphical symbols for use on equipment | 5017 / Earth, Ground                  | To identify an earth (ground) terminal in cases where neither the symbol 5018 nor 5019 is explicitly required. |
|  | IEC 60417 / Graphical symbols for use on equipment | 5115 / Signal lamp                    | To identify the switch by means of which the signal lamp(s) is (are) switched on or off.                       |
|  | 2004/108/EC / Electromagnetic Compatibility        | CE Marking                            | CE marking indicates that a product complies with applicable European Union regulations                        |
|  | ISO 7000/ Graphical symbols for use on equipment   | 0434B / Warning symbol                | Indicates a potentially hazardous situation which, if not avoided, could result in death or serious injury     |
|  | ISO 7000/ Graphical symbols for use on equipment   | 5036 / Dangerous Voltage              | To indicate hazards arising from dangerous voltages  |

## 3 Precautions

Read this manual before attempting to use any of the M-Duino GPRS PLC Family and follow its descriptions for reference during operation.

### 3.1 Arduino Board

The M-Duino GPRS Family PLCs include Arduino Mega Board as controller.

### 3.2 Intended Audience

This manual is intended for technicians, which must have knowledge on electrical systems.

### 3.3 General Precautions

The user must operate an M-Duino according to the performance specifications described in this manual. Before using M-Duino under different conditions from what has been specified in this manual or integrating M-Duino to nuclear control systems, railroad systems, aviation systems, vehicles, combustion systems, medical equipment, amusement machines, safety equipment and other systems, machines, and equipment that may have a serious influence on lives and property if used improperly, consult your INDUSTRIAL SHIELDS representative. Ensure that the rating and performance characteristics of M-Duino are sufficient for the systems, machines, and equipment, and be sure to provide the systems, machines, and equipment double safety mechanisms. This manual provides information for programming and operating the M-Duino.

### 3.4 Isolation Precautions

#### Description:

This equipment does **not include galvanic isolation between the grounds** of the different systems. This means that if an external device or sensor that shares the same ground reference (GND) with the system is connected, any potential difference between these grounds could damage the connected components. To avoid issues with interference, ground loops, or damage to external equipment, ensure that all connected devices share the same ground reference or use systems with appropriate isolation.

#### Recommendations:

- **Connection Review:** Verify that all ground connections are properly made and that there are no significant potential differences between them.
- **Use of Isolation:** Consider using galvanic isolators or isolation transformers if it is necessary to connect equipment with different ground references.

## 4 M-Duino Pinout

|        |              | IOs Table                  |                        |                         |                       |              |                                   |
|--------|--------------|----------------------------|------------------------|-------------------------|-----------------------|--------------|-----------------------------------|
| Model  | Reference    | Analog Input* <sup>1</sup> | Digital Isolated Input | Digital Isolated Output | Digital/Analog Output | Relay Output | PWM Isolated output* <sup>2</sup> |
| 19R+   | 006001000100 | 4                          | 1                      | 0                       | 3                     | 8            | 3                                 |
| 21+    | 006001000200 | 6                          | 6                      | 5                       | 3                     | 0            | 3                                 |
| 38AR+  | 006001000700 | 10                         | 6                      | 5                       | 6                     | 8            | 6                                 |
| 38R+   | 006001000300 | 8                          | 1                      | 0                       | 6                     | 16           | 6                                 |
| 42+    | 006001000400 | 12                         | 11                     | 10                      | 6                     | 0            | 6                                 |
| 50RRA+ | 006001000900 | 12                         | 7                      | 4                       | 8                     | 16           | 8                                 |
| 53ARR+ | 006001001000 | 14                         | 8                      | 5                       | 8                     | 15           | 8                                 |
| 54ARA+ | 006001001100 | 14                         | 12                     | 9                       | 8                     | 8            | 8                                 |
| 57AAR+ | 006001000800 | 16                         | 13                     | 10                      | 8                     | 7            | 8                                 |
| 57R+   | 006001000500 | 12                         | 3                      | 0                       | 8                     | 23           | 8                                 |
| 58+    | 006001000600 | 16                         | 17                     | 14                      | 8                     | 0            | 8                                 |

\*<sup>1</sup> The analog inputs can also be used as digital inputs.

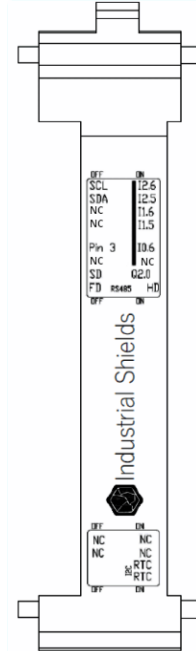
\*<sup>2</sup> The PWM isolated outputs can also be used as digital isolated outputs. The associated PWM and analog outputs cannot be used at the same time (check [switch configuration](#)).



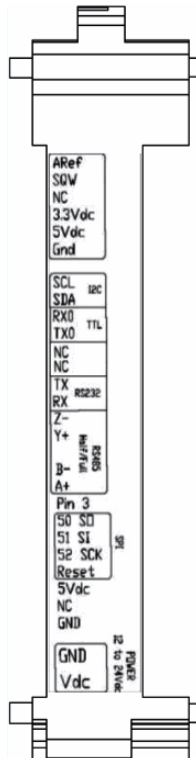
## 5 Serigraphy

### 5.1 A Zone connection (Communications)

| Base              |             |             |
|-------------------|-------------|-------------|
| A Zone            |             |             |
| M-Duino Connector | Arduino Pin | Function    |
| AREF              | AREF        | Arduino Pin |
| SQW               | SQW         | Arduino Pin |
| -                 | -           | -           |
| 3.3Vdc            | 3.3Vdc      | Arduino Pin |
| 5Vdc              | 5Vdc        | -           |
| GND               | GND         | GND         |



| Base              |             |               |
|-------------------|-------------|---------------|
| A Zone            |             |               |
| M-Duino Connector | Arduino Pin | Function      |
| SCL               | 21          | I2C/SS        |
| SDA               | 20          | I2C/SS        |
| RX0               | 0           | RX0/SS        |
| TX0               | 1           | TX0/SS        |
| -                 | -           | -             |
| -                 | -           | -             |
| TX                | 16          | RX2(serial 2) |
| RX                | 17          | TX2(serial 2) |
| Z-                | -           | RS485         |
| Y+                | -           | RS485         |
| B-                | -           | RS485         |
| A+                | -           | RS485         |
| PIN3              | 3           | Arduino Pin   |
| 50 SO             | 50          | SPI           |
| 51 SI             | 51          | SPI           |
| 52 SCK            | 52          | SPI           |
| Reset             | Reset       | SPI           |
| Vin5              | Vin5        | 5V            |
| -                 | -           | -             |
| GND               | -           | Gnd           |
| GND               | -           | Gnd           |
| 24Vdc             | -           | Power Supply  |

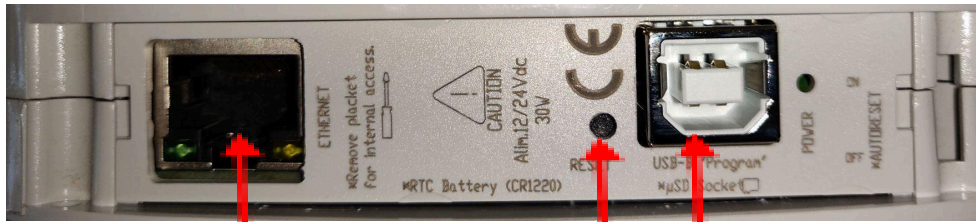


Configuration Switch\* (see section 8 to select the correct configuration for outputs. Enabling communications disables some I/Os).

Communication Pins

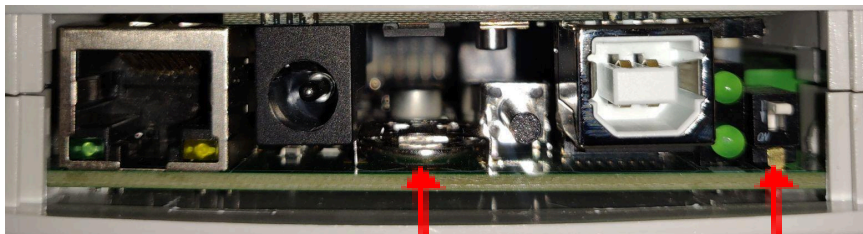
Power supply connectors (24Vdc - GND)

SS: Chip Select pins. These pins can act as TTL, so they can work for the Chip Select pin of any device.



Ethernet

Reset USB-B



RTC

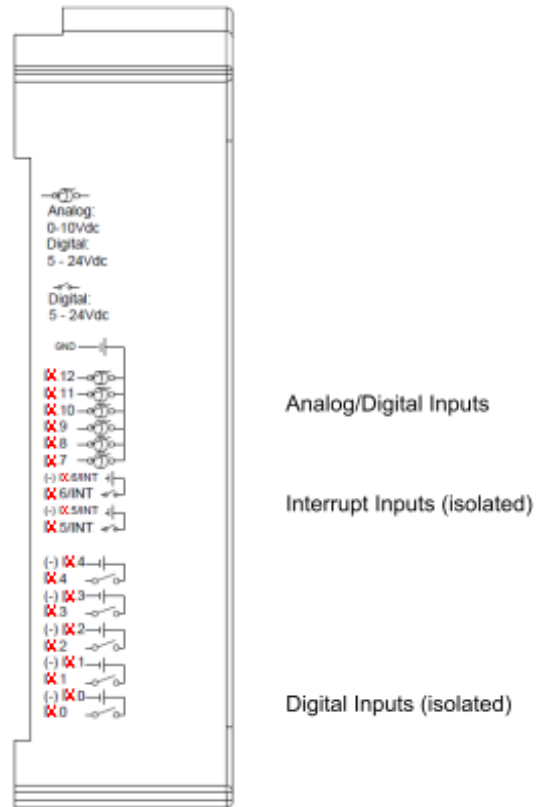
Programmable button

## 5.2 Analog/Digital Zone connection (I/Os)

| <b>X Zone</b>                |                          |
|------------------------------|--------------------------|
| M-Duino Connector            | Function                 |
| <b>IX.12</b>                 | Analog/Digital In*       |
| <b>IX.11</b>                 | Analog/Digital In*       |
| <b>IX.10</b>                 | Analog/Digital In        |
| <b>IX.9</b>                  | Analog/Digital In        |
| <b>IX.8</b>                  | Analog/Digital In        |
| <b>IX.7</b>                  | Analog/Digital In        |
| (-) <b>IX.6</b>              | GND <b>IX.6</b>          |
| <b>IX.6/INT</b> <sup>2</sup> | Interrupt <b>X In</b> ** |
| (-) <b>IX.5</b>              | GND <b>IX.5</b>          |
| <b>IX.5/INT</b> <sup>3</sup> | Interrupt <b>X In</b> ** |
| (-) <b>IX.4</b>              | GND <b>IX.4</b>          |
| <b>IX.4</b>                  | Digital Input*           |
| (-) <b>IX.3</b>              | GND <b>IX.3</b>          |
| <b>IX.3</b>                  | Digital Input            |
| (-) <b>IX.2</b>              | GND <b>IX.2</b>          |
| <b>IX.2</b>                  | Digital Input            |
| (-) <b>IX.1</b>              | GND <b>IX.1</b>          |
| <b>IX.1</b>                  | Digital Input            |
| (-) <b>IX.0</b>              | GND <b>IX.0</b>          |
| <b>IX.0</b>                  | Digital Input            |

\*Connectors IX.12, IX.11 and IX.4 are not connected (NC) in D Zone.

\*\*Connectors IX.6 and IX.5 are not connected (NC) in C Zone and connector IX.5 is not connected (NC) in B Zone.



<sup>2</sup> See [section 5.4](#) to know more about interrupt pins.

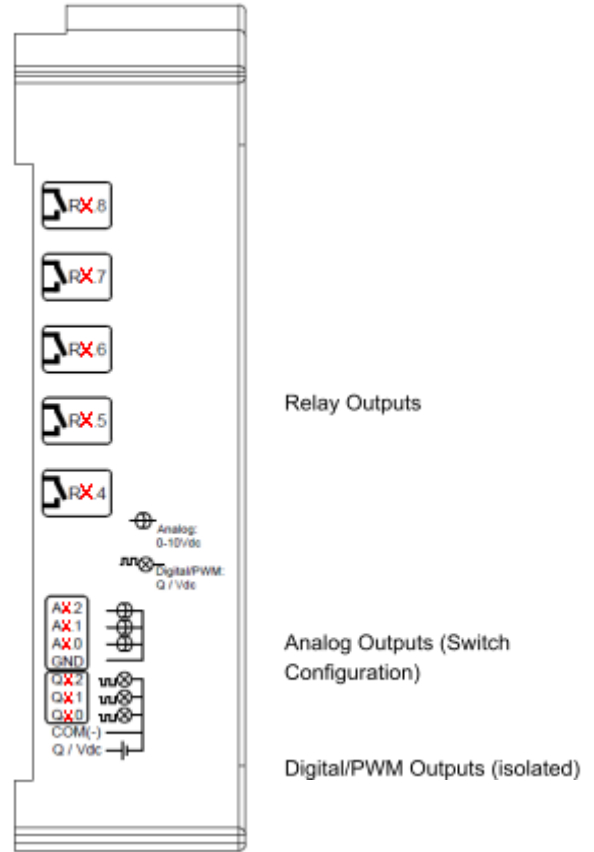
### Top Zone



Led indicator I/Os state

| X Zone            |                           |
|-------------------|---------------------------|
| M-Duino Connector | Function                  |
| GND               | GND                       |
| AX.7              | Analog Out*               |
| AX.6              | Analog Out                |
| AX.5              | Analog Out                |
| QVdc              | External Isolated Out Vdc |
| COM(-)            | External Isolated Out GND |
| QX.7              | Digital/PWM Out*          |
| QX.6              | Digital/PWM Out           |
| QX.5              | Digital/PWM Out           |
| QX.4              | Digital Out*              |
| QX.3              | Digital Out               |
| QX.2              | Digital Out               |
| QX.1              | Digital Out               |
| QX.0              | Digital Out               |

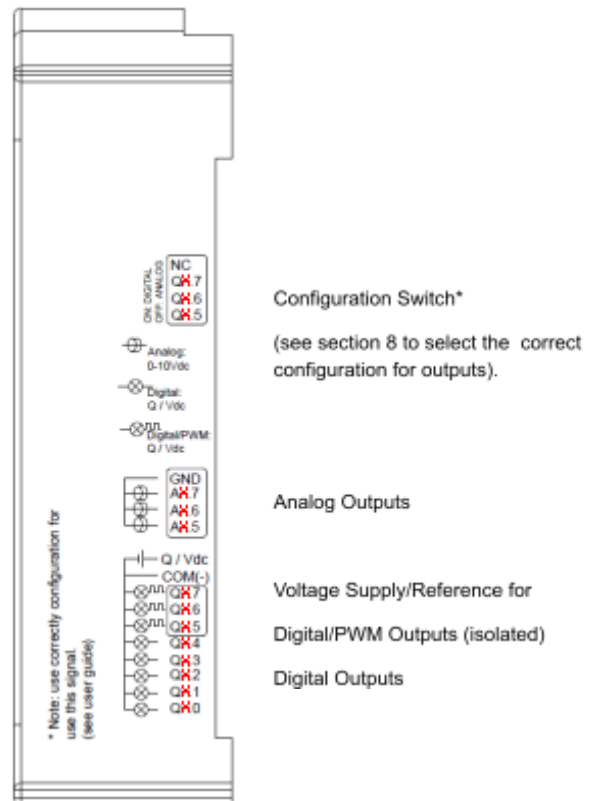
\*Connectors AX.7, QX.7 and QX.4 are not connected (NC) in D Zone.



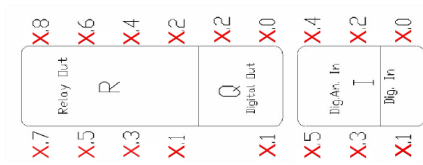
### 5.3 Relay Zone connection (I/Os)

| X Zone            |                           |
|-------------------|---------------------------|
| M-Duino Connector | Function                  |
| RX.8              | Relay Out                 |
| RX.7              | Relay Out                 |
| RX.6              | Relay Out                 |
| RX.5              | Relay Out*                |
| RX.4              | Relay Out                 |
| AX.2              | Analog Out*               |
| AX.1              | Analog Out                |
| AX.0              | Analog Out                |
| GND               | GND                       |
| QX.2              | Digital/PWM Out*          |
| QX.1              | Digital/PWM Out           |
| QX.0              | Digital/PWM Out           |
| COM(-)            | External Isolated Out Gnd |
| QVdc              | External Isolated Out Vdc |

\*Connectors RX.5, AX.2 and QX.2 are not connected (NC) in D Zone.



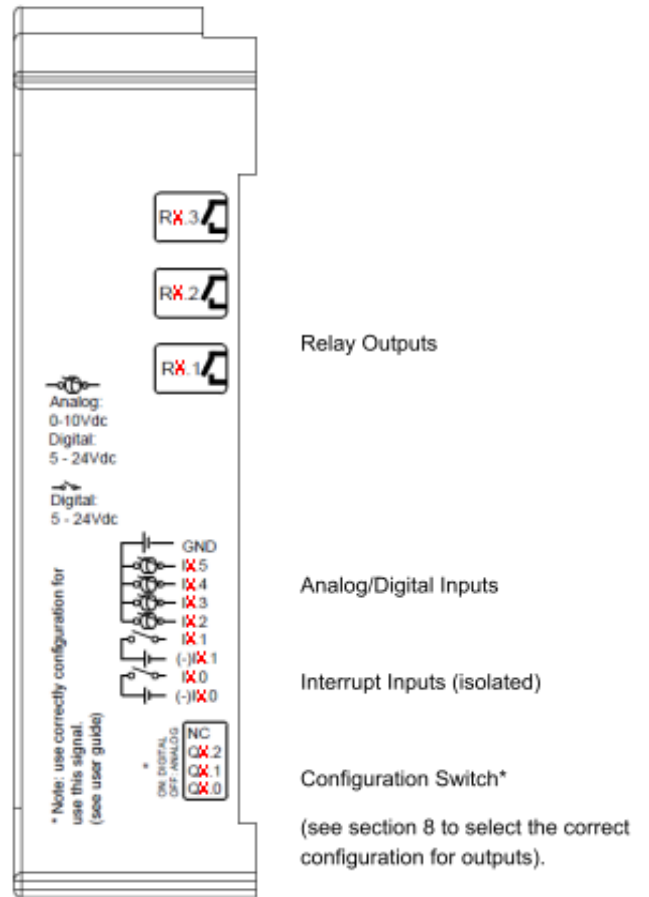
### Top Zone



### Led indicator I/Os state

| X Zone                      |                      |
|-----------------------------|----------------------|
| M-Duino Connector           | Function             |
| <b>RX.3</b>                 | Relay Out            |
| <b>RX.2</b>                 | Relay Out            |
| <b>RX.1</b>                 | Relay Out            |
| <b>GND</b>                  | GND                  |
| <b>IX.5</b>                 | Analog/Digital Input |
| <b>IX.4</b>                 | Analog/Digital Input |
| <b>IX.3</b>                 | Analog/Digital Input |
| <b>IX.2</b>                 | Analog/Digital Input |
| <b>IX.1/INT<sup>3</sup></b> | Interrupt X In**     |
| <b>(-)IX.1</b>              | GND IX.1             |
| <b>IX.0/INT</b>             | Interrupt X In**/**  |
| <b>(-)IX.0</b>              | GND IX.0             |

\*Connector IX.0 is not connected (NC) in B Zone.  
 \*\*Connectors IX.1 and IX.0 are not connected (NC) in C Zone.



## 5.4 Interrupt equivalence table

See the [Reference Table](#) in order to know the specific device details.

| Zone | Analog/Digital |               |             | Relay     |               |             |
|------|----------------|---------------|-------------|-----------|---------------|-------------|
|      | PLC Input      | PLC Interrupt | M-Duino Pin | PLC Input | PLC Interrupt | M-Duino Pin |
| B    | 0.6            | INT1          | PIN3        | 0.1       | INT2          | PIN3        |
|      | -              | -             | -           | -         | -             | -           |
| C    | -              | -             | -           | -         | -             | -           |
|      | -              | -             | -           | -         | -             | -           |
| D    | 2.5            | INT3          | PIN21       | 2.1       | INT1          | PIN21       |
|      | 2.6            | INT2          | PIN20       | 2.0       | INT0          | PIN20       |

Check this [link](#) for more information.

<sup>3</sup> See [section 5.4](#) to know more about interrupt pins.

## 6 Software interface

Industrial Shields PLC are programmed using Arduino IDE, which is a software based on the C language. They can also be programmed directly using C, but it is much easier working with Arduino IDE, as it provides lots of useful libraries.

Industrial Shields provide a boards package for programming the PLCs, making it easier and friendlier. It includes various facilities such as not having to define the pins, etc.

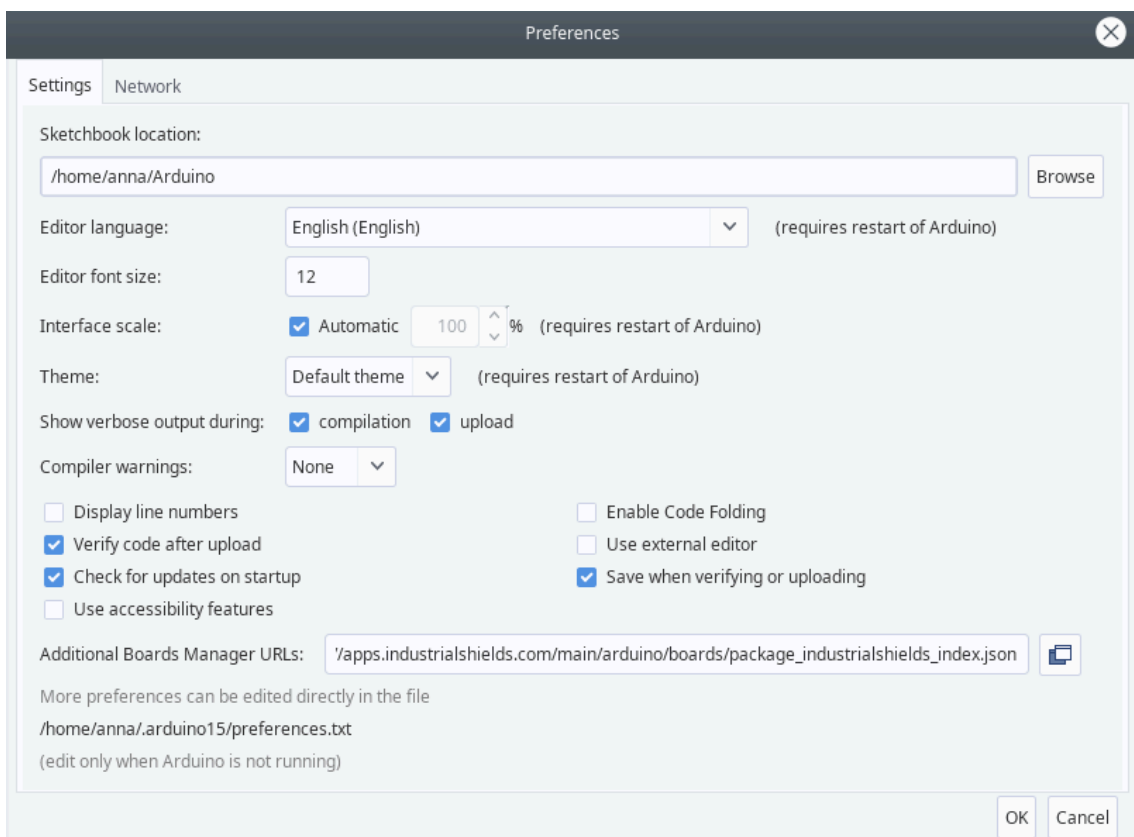
In order to install Industrial Shields boards, these are the steps that must be followed.

### Requirements:

Arduino IDE 1.8.15 or above (recommended: 1.8.19).

### Steps:

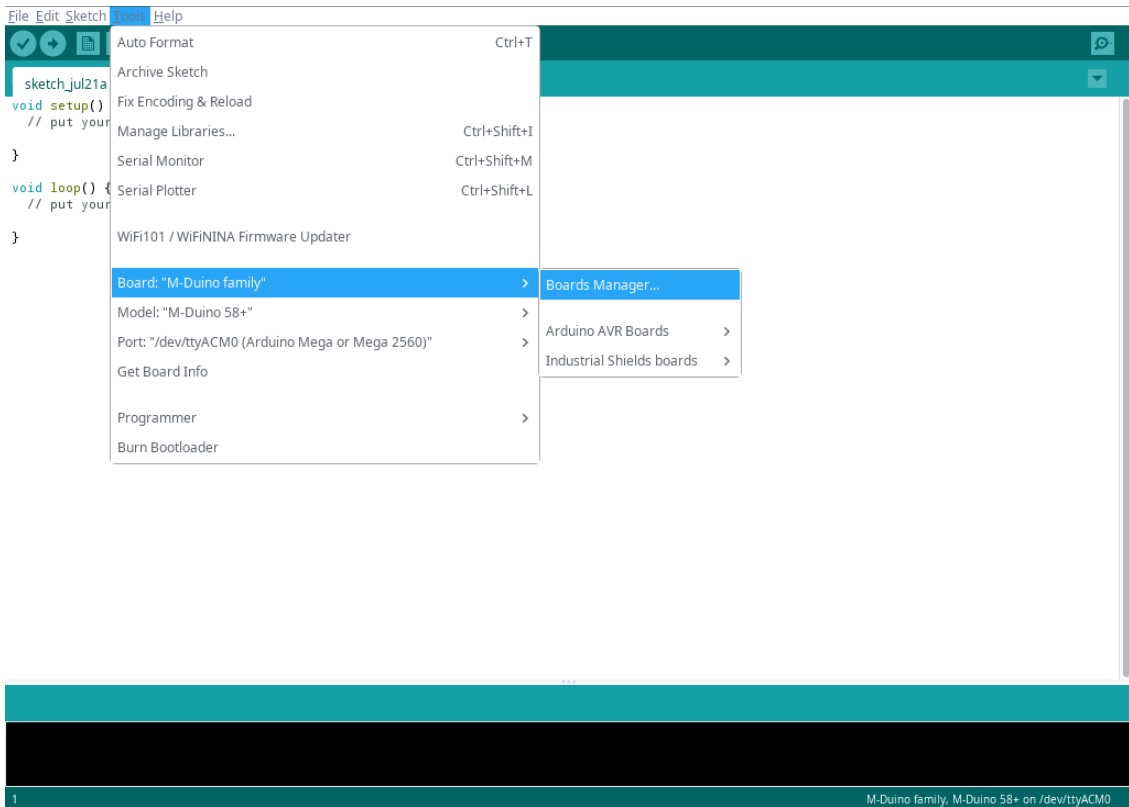
1. Open Arduino IDE and go to: "File -> Preferences" located in the top left corner.



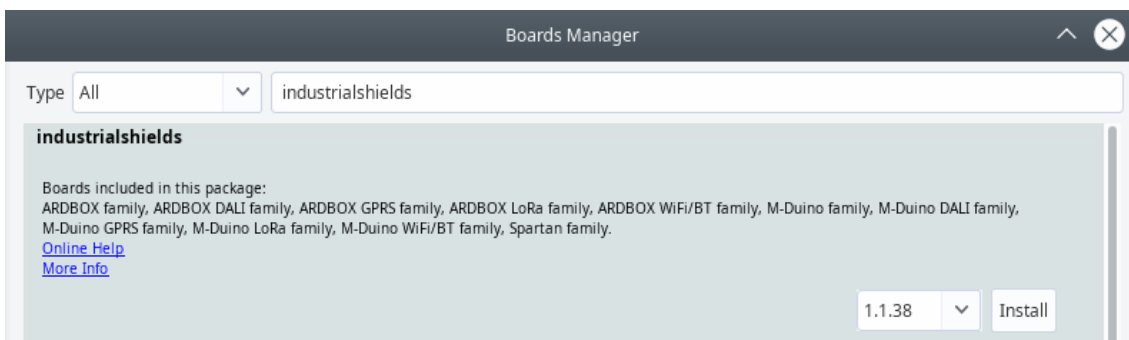
- In Additional Boards Manager URLs write the following:

[http://apps.industrialshields.com/main/arduino/boards/package\\_industrialshields\\_index.json](http://apps.industrialshields.com/main/arduino/boards/package_industrialshields_index.json)

- Press OK to save the changes.
- Go to: Tools -> Board: ... -> Boards Manager

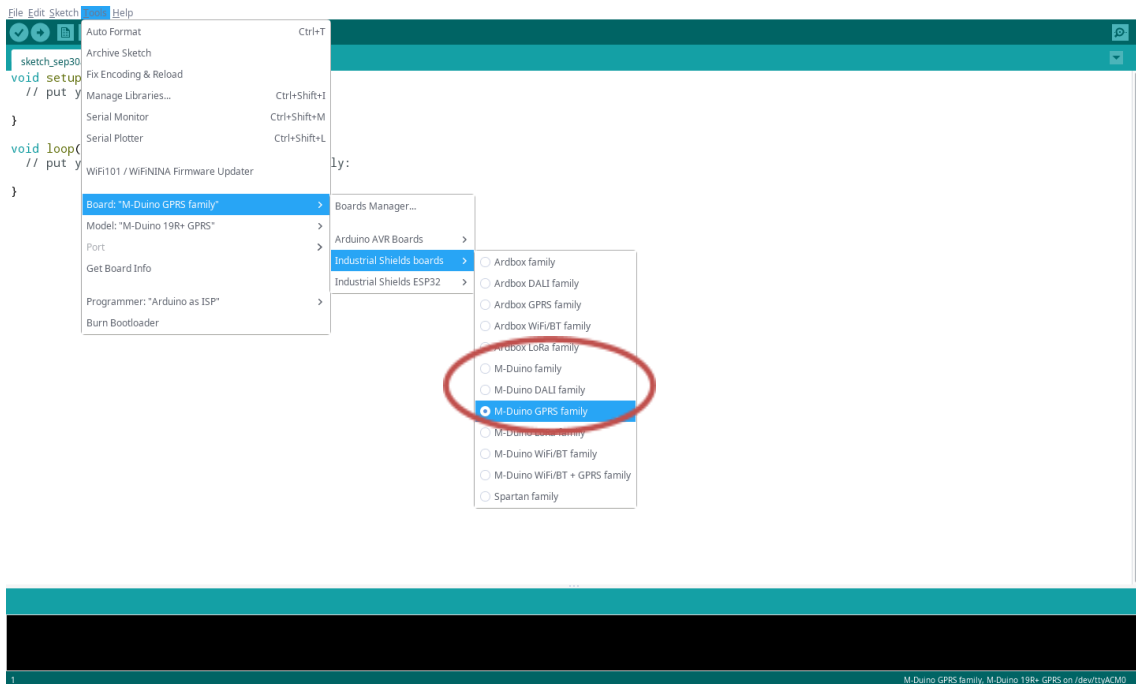


- Search for "industrialshields" on the browser.

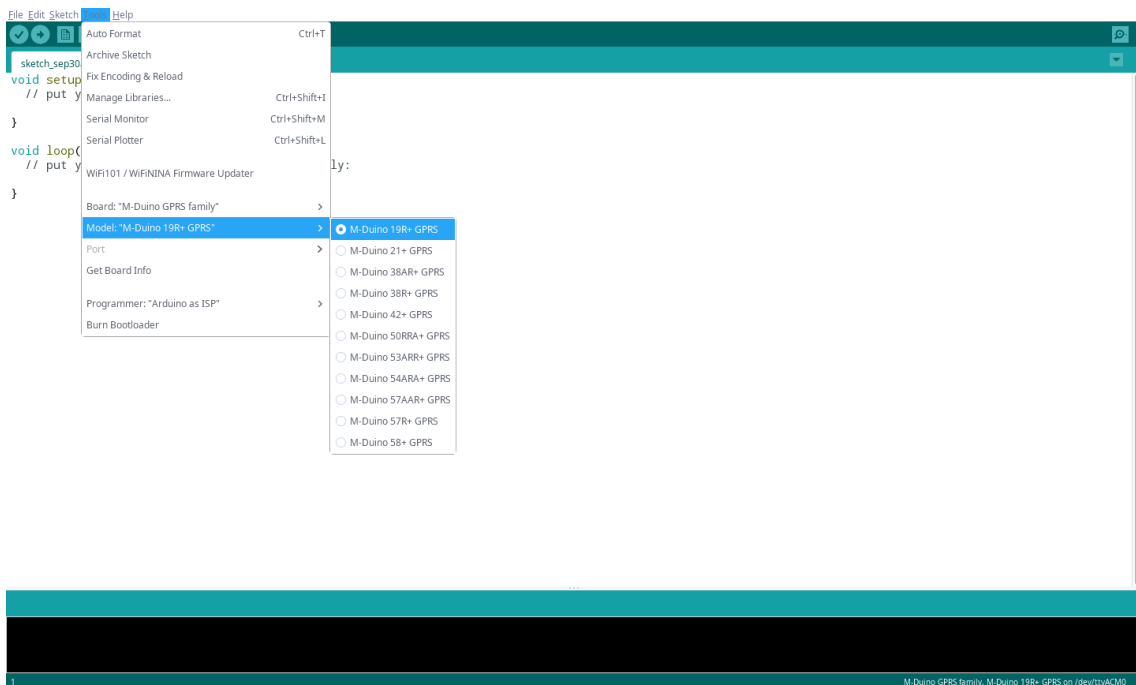


6. Click install (selecting the latest version).

Following these steps you will be able to see now the Industrial Shields Boards:



Once it is selected M-Duino GPRS Family, an extra option will appear on Tools: There, it can be selected the exact model for every family.



Also there are some examples of programming in File -> Examples -> Examples for M-Duino GPRS family.

Furthermore there are some extra libraries that can be found in Industrial Shields github.

<https://github.com/Industrial-Shields/>



## 7 How to connect PLC Arduino to PC

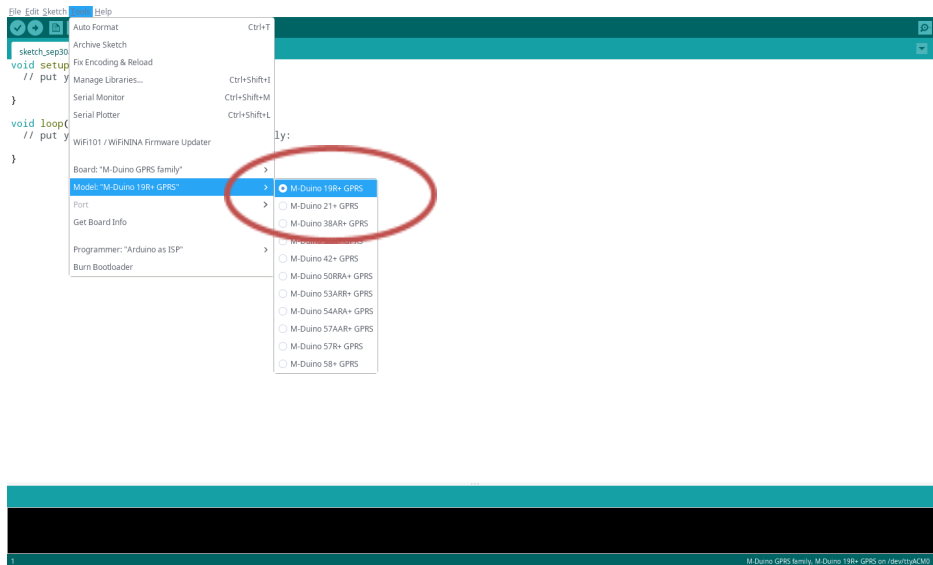
- Connect USB port from PLC to PC.



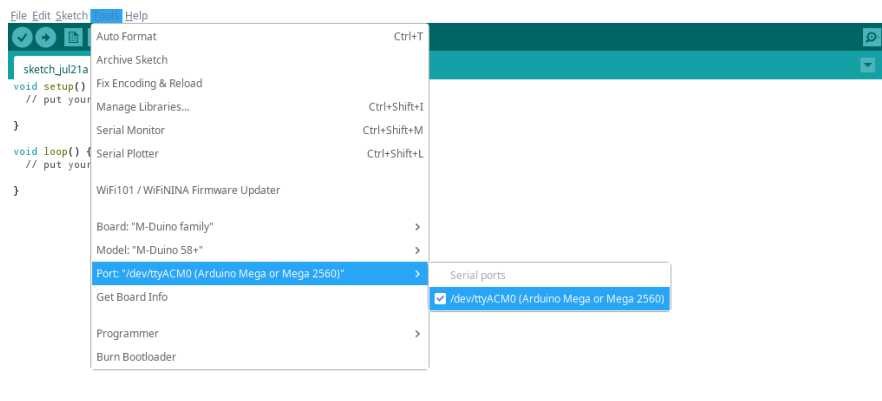
**NOTE:**

M-Duino GPRS Family uses B-USB cable.

- Open Arduino IDE interface:
- Select Industrial Shields boards -> M-Duino GPRS Family
- Select the correct M-Duino Board (M-Duino 19R+ GPRS in our example).

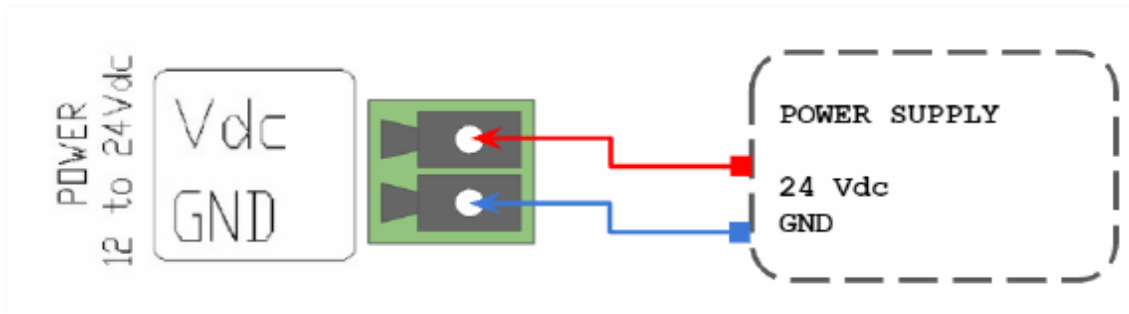


- Select the correct port.



## 8 How to connect PLC to power supply

- M-Duino GPRS Family PLCs are 12-24Vdc supplied. **IMPORTANT: The polarity IS NOT REVERSIBLE!**
- Make sure that the live and GND connector of the power supply match the PLC.
- Make sure that the power supply mains output is not higher than 24Vdc.



- Suggested power suppliers

Compact DIN rail power supply. Assembled on 35mm DIN Rail:  
 -12Vdc / 24Vdc  
 -2.5A  
 -30W

Industrial Shields power supplies provide parallel operation, overvoltage protection, and overcurrent protection. There is a LED indicator for power status, the power supply is certified according to UL.



The standard, Part 1 of IEC 61010, sets the general safety requirements for the following types of electrical devices and their accessories, regardless of where use of the device is intended.

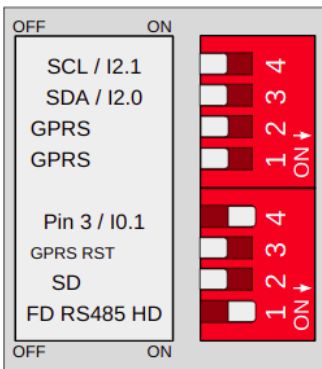
The equipment must be powered from an external power source in accordance with IEC 61010-1, whose output is MBTS and is limited in power according to section 9.4 of IEC 61010-1.

**WARNING:** Once the equipment is installed inside an electrical cabinet, the MTBS cables of the equipment must be separated from the dangerous voltage cables.

## 9 Switch configuration

### 9.1 A Zone: Communications

| A Zone       |          |    |
|--------------|----------|----|
| Switch       | OFF      | ON |
| SCL   XX     | SCL      | XX |
| SDA   XX     | SDA      | XX |
| GPRS   -     | GPRS     | -  |
| GPRS   -     | GPRS     | -  |
| Pin 3   XX   | Pin 3    | XX |
| GPRS RST   - | GPRS RST | -  |
| SD   -       | SD       | -  |
| FD   HD      | FD       | HD |



This is a Switch example from the M-Duino 57R+ GPRS. In this case, SCL, SDA, I0.1, SD and HD are enabled. This means I2.1, I2.0, Pin3 and FD are disabled.

**4. SCL | XX:** Choosing between SCL or the input XX. If the switch is ON, it enables XX and disables SCL. If the switch is OFF, it enables SCL and disables XX. The serigraphy in the PLC will indicate which input is referred to XX.

**3. SDA | XX:** Choosing between SDA or the input XX. If the switch is ON, it enables XX and disables SDA. If the switch is OFF, it enables SDA and disables XX. The serigraphy in the PLC will indicate which input is referred to XX.

**2. GPRS | - :** Always at OFF position.

**1. GPRS | - :** Always at OFF position.

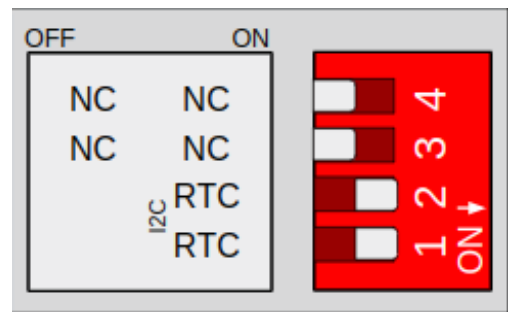
**4. Pin 3 | XX:** Choosing between Pin 3 or the input XX. If the switch is ON, it enables XX and disables Pin 3. If the switch is OFF, it enables Pin 3 and disables XX. The serigraphy in the PLC will indicate which input is referred to XX.

**3. GPRS RST | - :** Always at OFF position.

**2. SD | - :** Always at OFF position.

**1. FD | HD:** Choosing between FD or HD. If the switch is ON, it enables HD and disables FD. If the switch is OFF, it enables FD and disables HD. Note: HD stands for Half Duplex and FD means Full Duplex. Check [section 11.2](#) for more information.

| A Zone   |     |     |
|----------|-----|-----|
| Switch   | OFF | ON  |
| NC       | -   | -   |
| NC       | -   | -   |
| NC   RTC | -   | RTC |
| NC   RTC | -   | RTC |

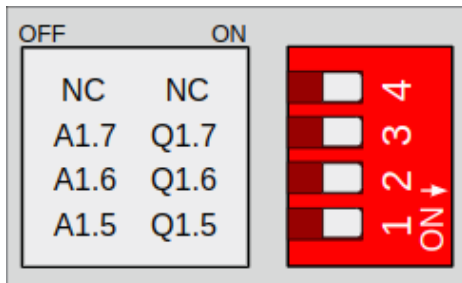


This switch enables the communication with RTC using I2C. Having both switches in ON mode activates the communication, whereas if they are in OFF mode I2C is disabled to reach the RTC.

## 9.2 Digital/Analogic Shield Switches

| Digital/ Analogic Shield Switch |      |      |
|---------------------------------|------|------|
| Switch                          | OFF  | ON   |
| NC                              | -    | -    |
| AX.7   QX.7                     | AX.7 | QX.7 |
| AX.6   QX.6                     | AX.6 | QX.6 |
| AX.5   QX.5                     | AX.5 | QX.5 |

\*X can change depending on which zone we are in. Check the serigraphy in the PLC to know what number takes X.



We can see here an example switch from the C Zone (Notice that X takes value 1 here).

For the Analog Shield if a switch is set to ON, it can only act as Digital Output. If it is set to OFF it can only act as an Analog Output.

If it is desired to use a Digital Output the switch must be set to ON and the pin that will provide this digital output is represented with QX.X, being X any number of the table above.

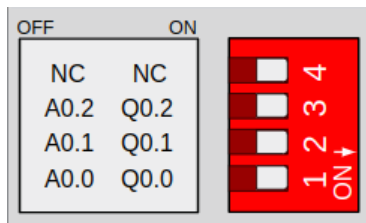
If it is desired to use an Analog Output the switch must be set to OFF and the pin that will provide this digital output is represented with AX.X, being X any number of the table above.

**\*IMPORTANT:** In D Zone, output A2.7 | Q2.7 is not connected.

### 9.3 Relay Shield Switches

| Relay Shield Switch |      |      |
|---------------------|------|------|
| Switch              | OFF  | ON   |
| NC                  | -    | -    |
| AX.2   QX.2         | AX.2 | QX.2 |
| AX.1   QX.1         | AX.1 | QX.1 |
| AX.0   QX.0         | AX.0 | QX.0 |

\*X can change depending on which zone we are in. Check the serigraphy in the PLC to know what number takes X.



We can see here an example switch from the B Zone (Notice that X takes value 0 here).

For the Relay Shield if a switch is set to ON, it can only act as Digital Output. If it is set to OFF it can only act as an Analog Output.

If it is desired to use a Digital Output the switch must be set to ON and the pin that will provide this digital output is represented with QX.X, being X any number of the tables above.

If it is desired to use an Analog Output the switch must be set to OFF and the pin that will provide this digital output is represented with AX.X, being X any number of the tables above.

**\*IMPORTANT:** In D Zone, output A2.2 | Q2.2 is not connected.

## 10 M-Duino Arduino I/Os 5V pins

The M-Duino has some of the Mega board pins available. These pins can be programmed according to Arduino features such as I/Os operating at 5V or any additional features present in the pins (for example I2C communication in pins SCL and SDA). As these pins are directly connected to the Arduino Mega board they are not as well protected as the normal inputs. These pins are mainly meant to be used as prototyping.

The Arduino board available pins are summarised in the table below. In order to access some of these pins the configuration switch must be set to OFF position (see [section 9](#)) and some extra considerations must be taken in consideration when using these pins.

| M-Duino terminal | Arduino pin | Enable Arduino pin        |
|------------------|-------------|---------------------------|
| SCL              | 21          | Communication switch: OFF |
| SDA              | 20          | Communication switch OFF  |
| RX0              | 0           |                           |
| TX0              | 1           |                           |
| RX (RS232)       | 17          |                           |
| TX (RS232)       | 16          |                           |
| MISO             | 50          |                           |
| MOSI             | 51          |                           |
| SCK              | 52          |                           |
| Pin 3            | 3           | Communication switch: OFF |



**\*IMPORTANT:** Do not connect the terminals in the chart above to voltages higher than 5V. These terminals provide direct access to the Mega board.

Apart from the switch configuration there are some special conditions depending on these 5V. Now it is going to be shown the considerations to operate with these pins.

### 10.1 I2C pins – SDA/SCL

The I2C protocol is meant to work in a pull-up configuration. A pull-up configuration means that when the pin is at rest (nothing connected to it) it always reads a HIGH value. In this case it reads 5V when nothing is connected. The pull-up configuration is established by default in these pins.

In order to use them as an internal arduino direct PIN at 5V, it has to be considered that they are pull-up inputs (a 2200Ω resistor is used in the internal pull-up).

## 10.2 Serial 0 – RX0/TX0

The Serial0 protocol can work also as a 5V pin. These pins should be used ultimately, only in case that all the 5V pins are already performing a function. This is because they are shared with the USB interface. If using these pins, the USB communication cannot be working at the same time.

When the PLC is not installed, the USB communication is normally required for debugging, uploading and intercommunicating with the Ethernet controller. If using both interfaces at the same time the Arduino board will get blocked.

These pins are not established with a pull-up or a pull-down configuration. The state of these pins is unknown. If these pins must be used, they require a pull-up or a pull-down configuration. The Arduino board allows the pins to be set in a pull-up configuration. If not it must be established as an external pull-up or pull-down circuit in order to correctly work with these pins.

## 10.3 SPI – MISO/MOSI/SCK

These pins can only work as 5V pins if the Ethernet protocol is not going to be used. As the Ethernet protocol uses the SPI to communicate with the Arduino board, both behaviours cannot happen at the same time as the Ethernet would not work.

These pins are not established with a pull-up or a pull-down configuration. The state of these pins is unknown. If these pins must be used, they require a pull-up or a pull-down configuration. The Arduino board allows the pins to be set in a pull-up configuration. If not it must be established as an external pull-up or pull-down circuit in order to correctly work with these pins.

## 10.4 Pin 3

To know how to configure this pin correctly, check [section 9](#).

This pin is not established with a pull-up or a pull-down configuration. The state of the pin is unknown. If the pin must be used, it requires a pull-up or a pull-down configuration. The Arduino board allows the pin to be set in a pull-up configuration. If not it must be established as an external pull-up or pull-down circuit in order to correctly work with this pin.



## 11 A Zone Features: Communications & RTC & uSD

### 11.1 RS-232

The Arduino Mega function code to access the RS-232 port in the M-Duino is Serial2 (pins 16 and 17 of the Arduino Mega).

For the RS-232 communication protocol there isn't any switch that affects it. So it does not matter the configuration of the switches to implement a RS-232 communication.

Using the boards of Industrial Shields, there is a library that simplifies the RS-232 implementation.

Click [here](#)<sup>4</sup> or [here](#)<sup>5</sup> to see more about this communication.

### 11.2 RS-485

For RS485 communication protocol the defined Arduino Mega pins are shown in the chart below.

| Function | Arduino Pin |
|----------|-------------|
| DI       | 14          |
| RO       | 15          |
| RE       | 11          |
| DE       | 46          |

For the RS-485 communication protocol there is only one switch that affects this communication. The RS-485 protocol will be always enabled, the only switch that affects is the one called "FD rs-485 HD" (See [Section 9](#)). This switch makes the choice between RS-485 Half Duplex or RS-485 Full Duplex (RS-422).

Using the boards of Industrial Shields, there is a library that simplifies the RS-485 implementation.

Click [here](#)<sup>6</sup> or [here](#)<sup>7</sup> to see more about this communication.

<sup>4</sup> <https://www.industrialshields.com/blog/arduino-industrial-1/post/basics-about-rs232-of-an-industrial-plc-183>

<sup>5</sup> <https://www.industrialshields.com/blog/arduino-industrial-1/post/how-to-use-rs-232-on-industrial-arduino-based-plc-16>

<sup>6</sup> <https://www.industrialshields.com/blog/arduino-industrial-1/post/basics-about-rs-485-of-an-industrial-plc-195>

<sup>7</sup> <https://www.industrialshields.com/blog/arduino-industrial-1/post/how-to-connect-two-industrial-plcs-through-rs-485-213>

## 11.3 I2C

I2C communication **DOES NOT REQUIRE** a pull-up resistor for the M-Duino. The pull-up resistor is already implemented in the PCB.

I2C communication is configured by switches, so the switches must be configured in order to enable the I2C communication (See [section 9](#) for more information).

Industrial Shields does not provide any library to implement the I2C as it can be used with the standard library of Arduino called Wire.

Click [here](#)<sup>8</sup> to see more about this communication.

## 11.4 SPI

The M-Duino pins used for the SPI bus are summarised in the table below. For SPI bus MISO, MOSI and CLOCK pins are common to all the connected devices to the M-Duino, conversely, each of the connected devices will have a single and dedicated SS pin.

| Function | M-Duino connection         | Mega board pin    |
|----------|----------------------------|-------------------|
| MISO     | 50 S0                      | 50                |
| MOSI     | 51 SI                      | 51                |
| CLOCK    | 52 SCK                     | 52                |
| Reset    | Reset                      | Reset             |
| SS       | SCL/SDA/RX0/TX0/RX/TX/Pin3 | 21/20/1/0/16/17/3 |

Check the switch configuration at [section 9](#) to enable SS pins.

Click [here](#)<sup>9</sup> to see more about this communication.

## 11.5 TTL

M-Duino has two TTL ports, RX0/TX0 and RX/TX. TTL0 is accessed with the function Serial (pins 0 and 1 of the Arduino Mega) and TTL2 is accessed with the function Serial2 (pins 16 and 17 of the Arduino Mega). See [section 9](#) for more information.

## 11.6 Ethernet

M-Duino Ethernet port controller is based on w5500 IC, which is the IC compatible with Arduino Ethernet2 Shield libraries. All Ethernet shield Arduino libraries are compatible with the M-Duino. In the M-Duino, W5500 IC communicates to the Mega board via SPI bus (SS Arduino Mega pin 10).

Click [here](#)<sup>10</sup> and [here](#)<sup>11</sup> to see more about this communication.

<sup>8</sup> <https://www.industrialshields.com/blog/arduino-industrial-1/post/i2c-bus-on-plc-arduino-for-industrial-automation-192>

<sup>9</sup> <https://www.industrialshields.com/blog/arduino-industrial-1/post/bus-spi-on-plc-arduino-from-industrial-shields-191>

<sup>10</sup> <https://www.industrialshields.com/blog/arduino-industrial-1/post/modbus-tcp-master-with-industrial-arduino-esp32-plcs-103>

<sup>11</sup> <https://www.industrialshields.com/blog/arduino-industrial-1/post/how-to-use-modbus-tcp-slave-library-with-a-plc-controller-arduino-105>

## 11.7 GPRS & GSM

The SIM800L module is the integrated module for the use of GPRS / GSM in this PLC. Its principal features are:

- Quad-band 850/900/1800/1900MHz.
- Work only with 2G technology.
- Can send / receive SMS messages.
- Can send / receive GPRS data (TCP/IP, HTTP, MQTT).
- Controlled by AT Commands (3GPP TS 27.0077, 27.005 and SIMCOM enhanced AT Commands).
- AT Command interface with transmission speed “automatic” detection.
- Max. transmission speed: 85.6 Kbps.
- Serial transmission speed: 1200 bps up to 115200 bps (baud rate).
- SIM size: Micro SIM.

When defining the pins in the program, take into account that the internal connections between the SIM800L module and the Arduino Leonardo are the following:

| Arduino Mega Pinout | SIM800L Pinout |
|---------------------|----------------|
| 5Vdc                | Vcc            |
| GND                 | GND            |
| Rx1 (Pin 19)        | TxD            |
| Tx1 (Pin 18)        | RxD            |
| Pin 2               | GPRS RESET     |

The GPRS / GSM protocol is always enabled as there are no switches that configure it. The protocol uses the Serial 1 pins of the equipment to be able to communicate and the Pin 2 for the module reset.

## 11.8 RTC

M-Duino RTC Module is based on the DS1307 Chip. This chip works with the I2C protocol communication, so it is required to have enabled the I2C protocol. This means 4 switches have to be configured in order to enable the RTC features.

RTC SCL & RTC SDA must be set to ON mode to enable the I2C wires to the RTC. If they are in OFF mode, the Arduino won't communicate with the RTC. Look at [section 11.3](#) for more information.

Using the boards package of Industrial Shields, there is a library that simplifies the RTC implementation called RTC.

Click [here](#)<sup>12</sup> to see more about this feature.

## 11.9 uSD

The micro SD uses the SPI communication to interact with the Arduino Mega. The SPI protocol is always enabled, as there are no switches that configure it. However, there is a switch that must be placed to ON mode in order to communicate with the uSD:

SD: If this Switch is OFF, it enables the Chip Select of the microSD socket. If the switch is in ON mode the microSD can't be used. Check [section 9](#) for more information.

The uSD socket is found in the TOP part of the communication Shields, so in the frontal part of the PLC, it is required to open the plastic found in the frontal part and the socket is located under the supply of the Arduino.

Using the boards of Industrial Shields, there is a library that simplifies the uSD implementation called SD. It is the same as the Arduino library, with the only modification of using the pin 53 to select the Chip Select of the uSD chip.

Click [here](#)<sup>13</sup> to see more about this feature.

---

<sup>12</sup> <https://www.industrialshields.com/blog/arduino-industrial-1/post/rtc-test-on-m-duino-plus-version-51>

<sup>13</sup> <https://www.industrialshields.com/blog/arduino-industrial-1/post/basics-with-sd-card-in-an-industrial-plc-167>



**Verify that the CPU is not actively running a process before inserting the memory card.**

Inserting a memory card will cause the CPU to go to STOP mode, which could affect the operation of an online process or machine. Unexpected operation of a process or machine could result in death or injury to personnel and/or property damage. Before inserting a memory card, always ensure that the CPU is offline and in a safe state.



**Vérifiez que le processeur n'exécute pas activement un processus avant d'insérer la carte mémoire.**

Si vous insérez une carte mémoire, la CPU passe en mode STOP, ce qui peut affecter le fonctionnement d'un processus ou d'une machine en ligne. Le fonctionnement inattendu d'un processus ou d'une machine peut entraîner la mort ou des blessures corporelles et / ou des dégâts matériels. Avant d'insérer une carte mémoire, assurez-vous toujours que la CPU est hors ligne et en sécurité.

## 12 GPRS & GSM Programming Examples

### 12.1 How to use the GPRS Module

By following the steps on this [blog](#)<sup>14</sup>, you will learn how to work with the GPRS Module that is inside the PLC. A brief explanation about the examples provided by the Industrial Shields libraries from GPRS is done.

### 12.2 How to send SMS using GPRS from an M-Duino

Two blogs about how SMSs can be sent using GPRS have been written. The first one talks about sending SMS when a temperature sensor reaches a certain threshold. You can find the blog [here](#)<sup>15</sup>.

The second one is about general features of the GPRS module and describes an example from Adafruit FONA libraries. Click this [link](#)<sup>16</sup> to go to the blog.

---

<sup>14</sup> <https://www.industrialshields.com/blog/arduino-industrial-1/post/how-to-use-gprs-module-158>

<sup>15</sup>

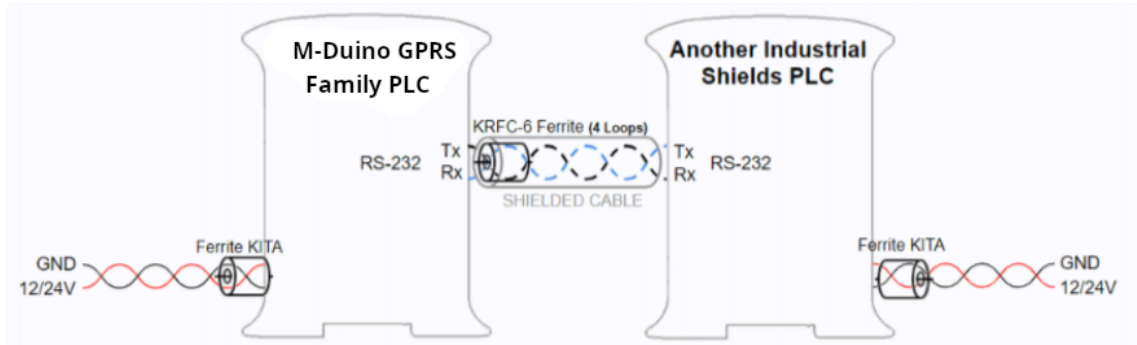
<https://www.industrialshields.com/blog/arduino-industrial-1/post/how-to-send-sms-using-gprs-from-an-mduino-403>

<sup>16</sup>

<https://www.industrialshields.com/blog/arduino-industrial-1/post/how-to-send-sms-by-using-plc-controller-arduino-296>

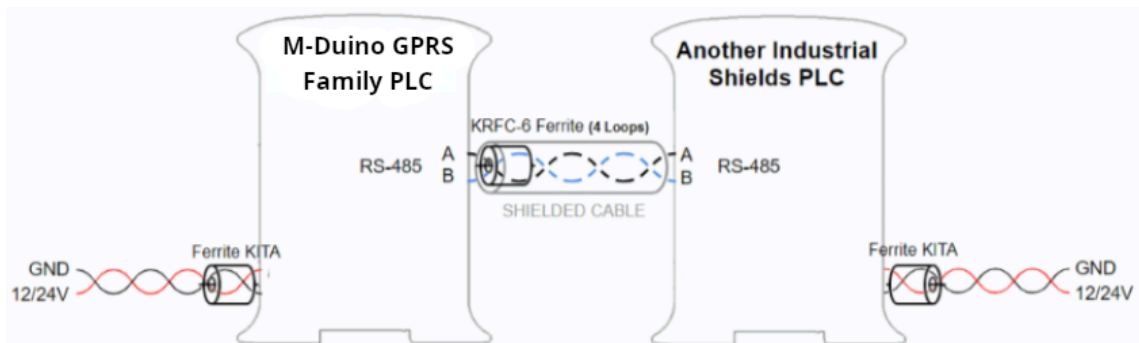
## 13 Instructions for interconnection between Industrial Shields controllers

### 13.1 RS-232 Communication:

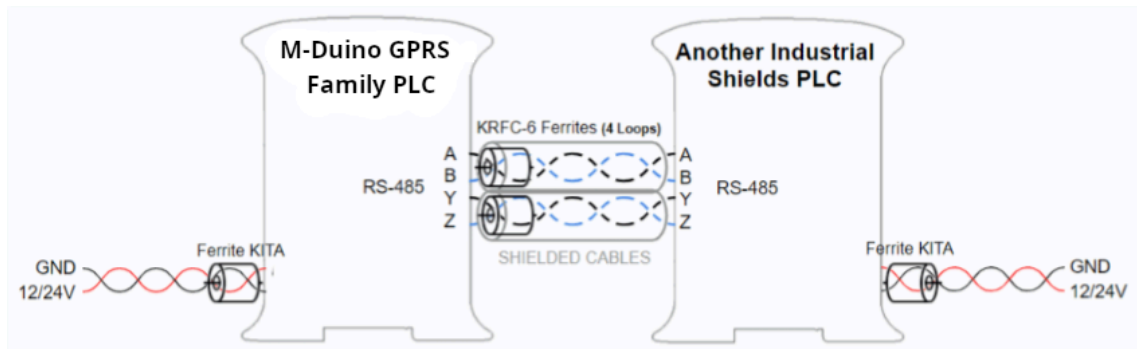


### 13.2 RS-485 Communication:

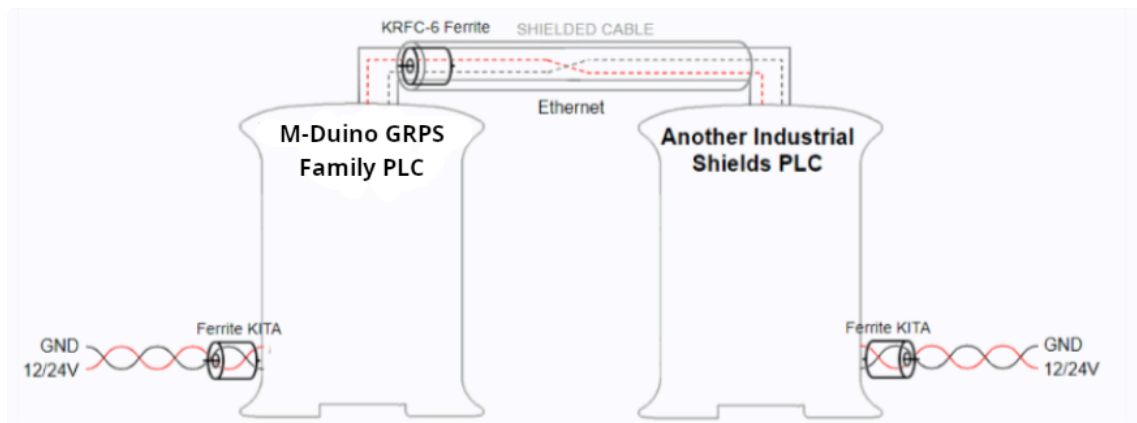
#### 13.2.1 Half Duplex



### 13.2.2 Full Duplex



### 13.3 Ethernet



For Ethernet communication between Industrial Shields equipment an **SFTP CAT-6 Ethernet crossover cable** must be used.

## 14 Digital inputs threshold detection

The M-Duino inputs have a minimum voltage threshold to reliably detect the signal when used as digital input. The threshold value is different depending on the input type:

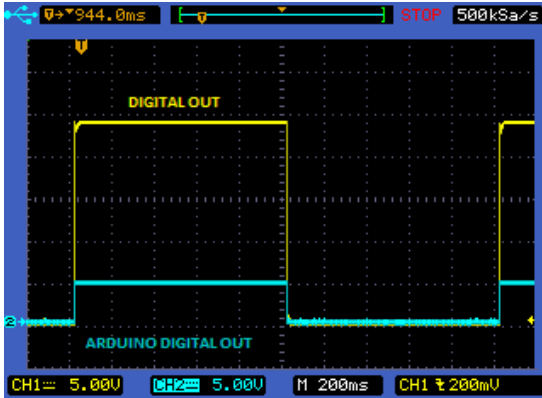
| Input type    | Threshold voltage (V) |
|---------------|-----------------------|
| Digital input | 4                     |
| Analog input  | 5.1                   |



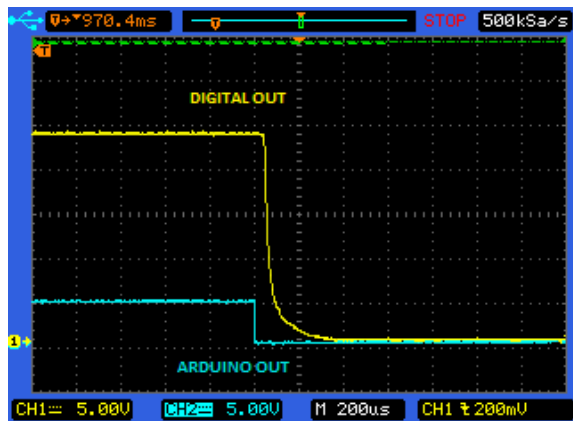
## 15 I/O technical details:

A comparison between the waveforms of the I/Os from the M-Duino GPRS Family PLC and the Arduino Mega is done in this section.

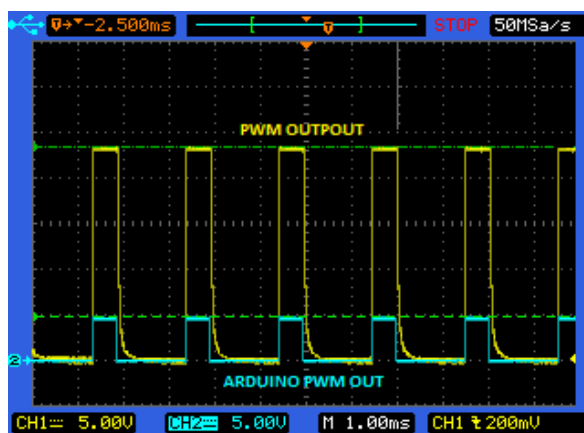
Digital Output Waveform:



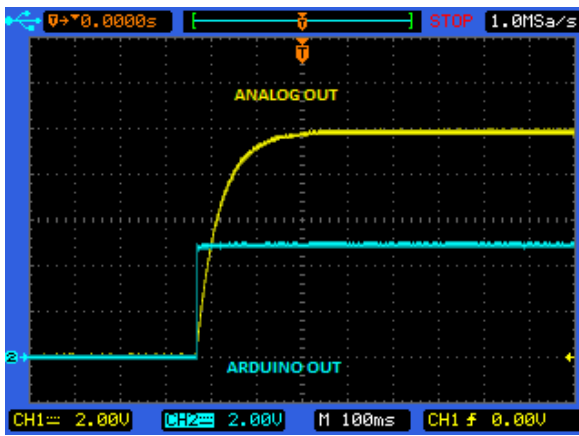
Digital Output Turn-off:



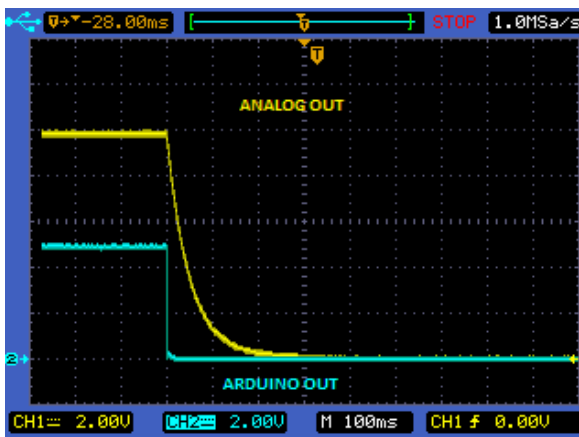
PWM Waveform:



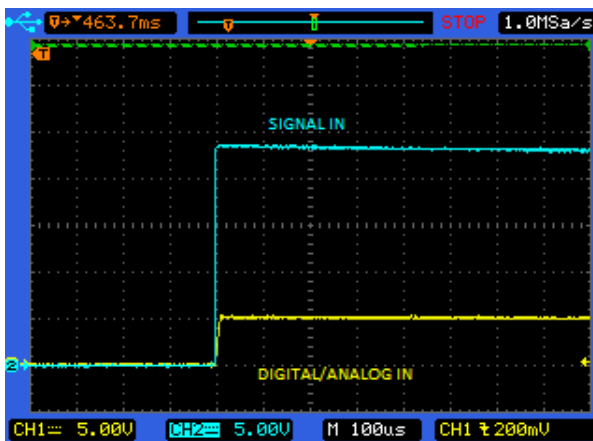
Analog Out Turn-On:



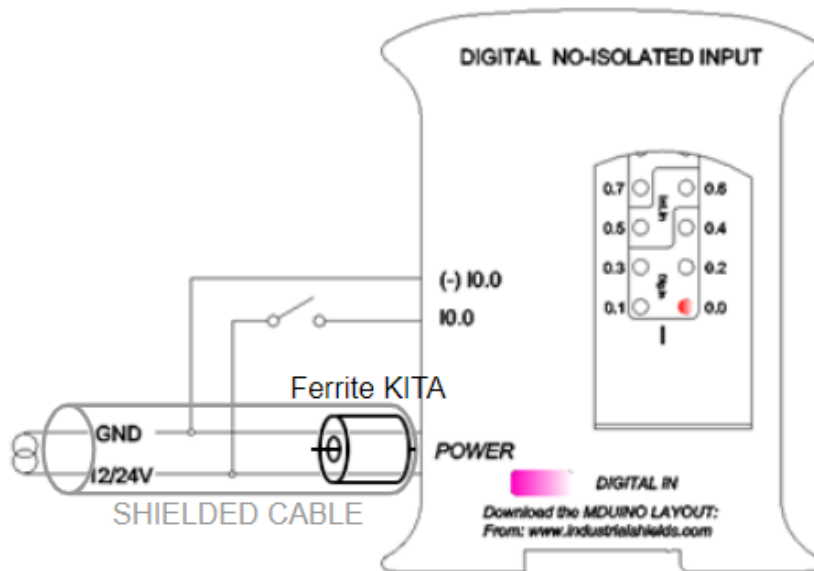
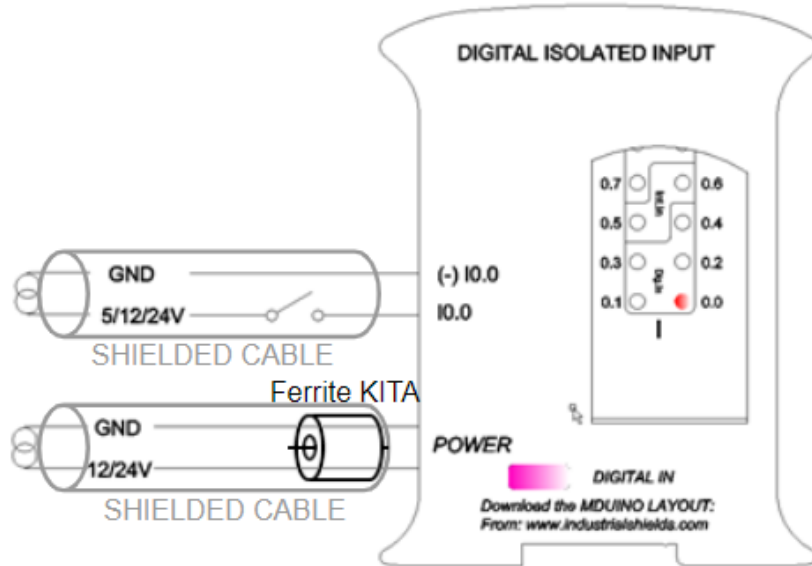
Analog Out Turn-Off:

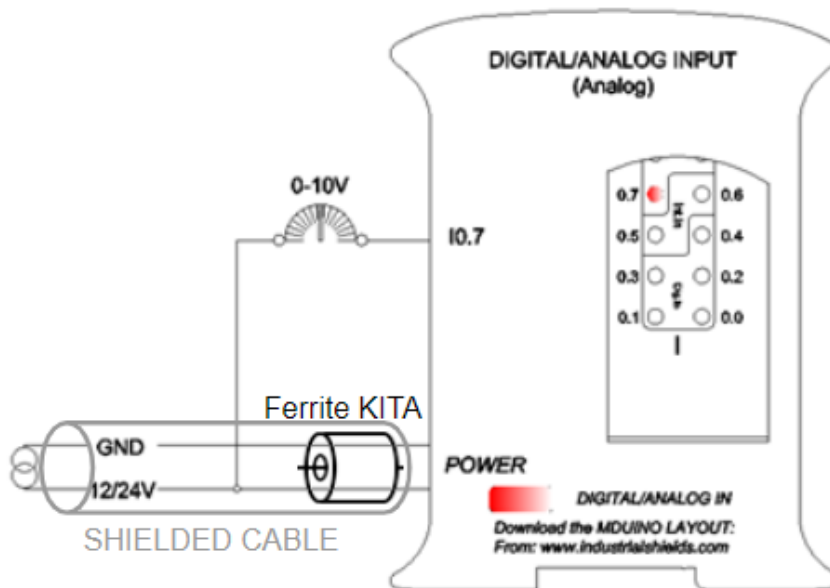
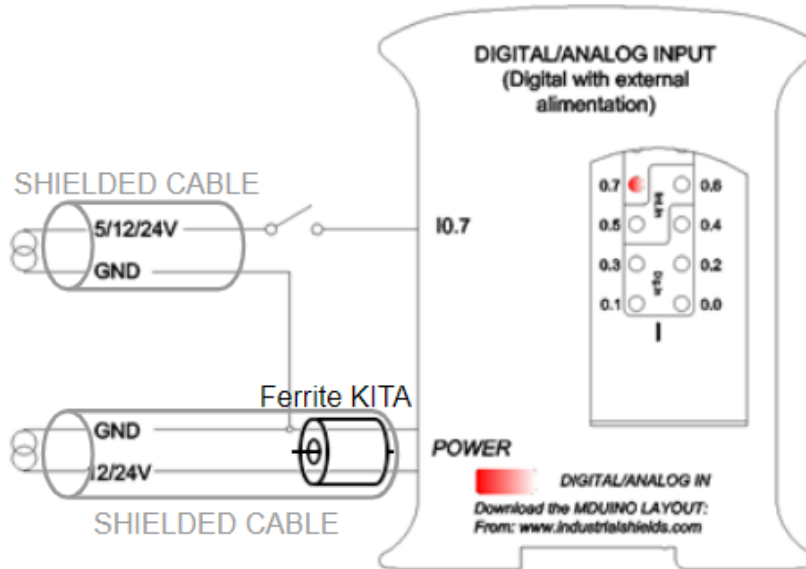


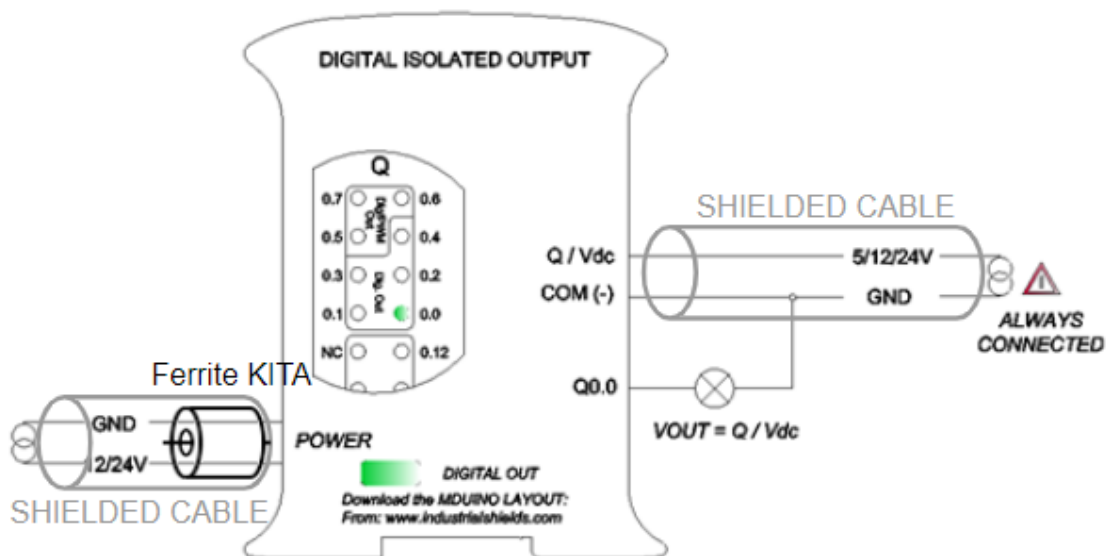
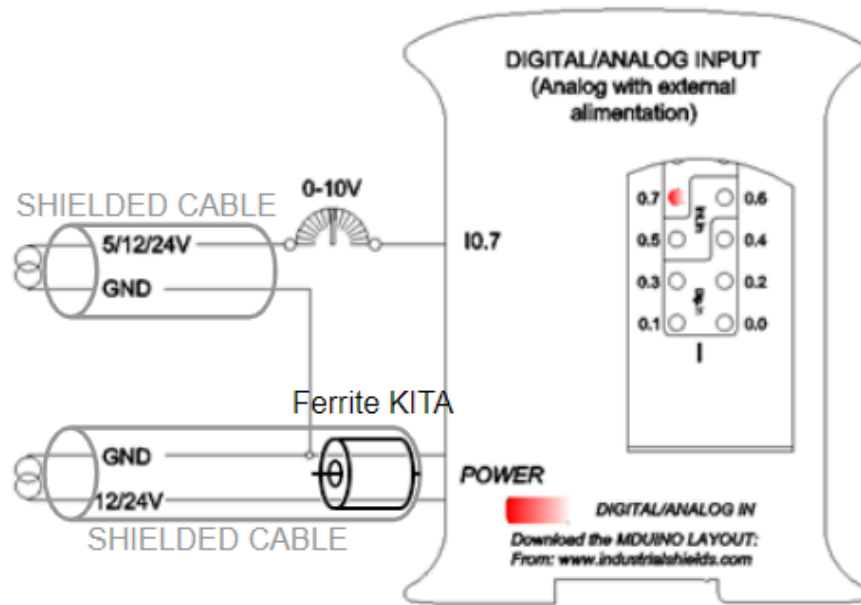
Analog /Digital input Turn-on:

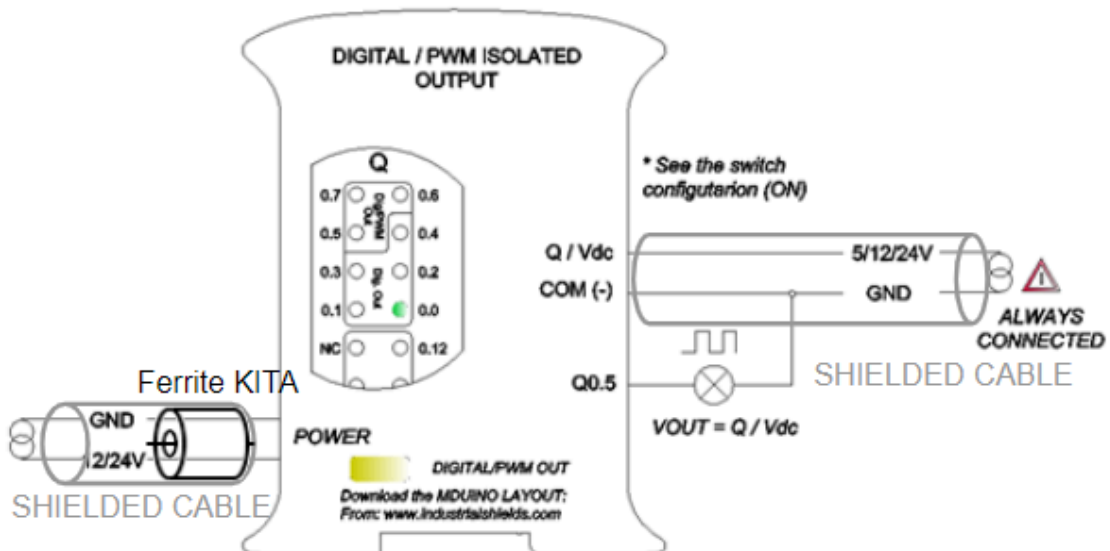
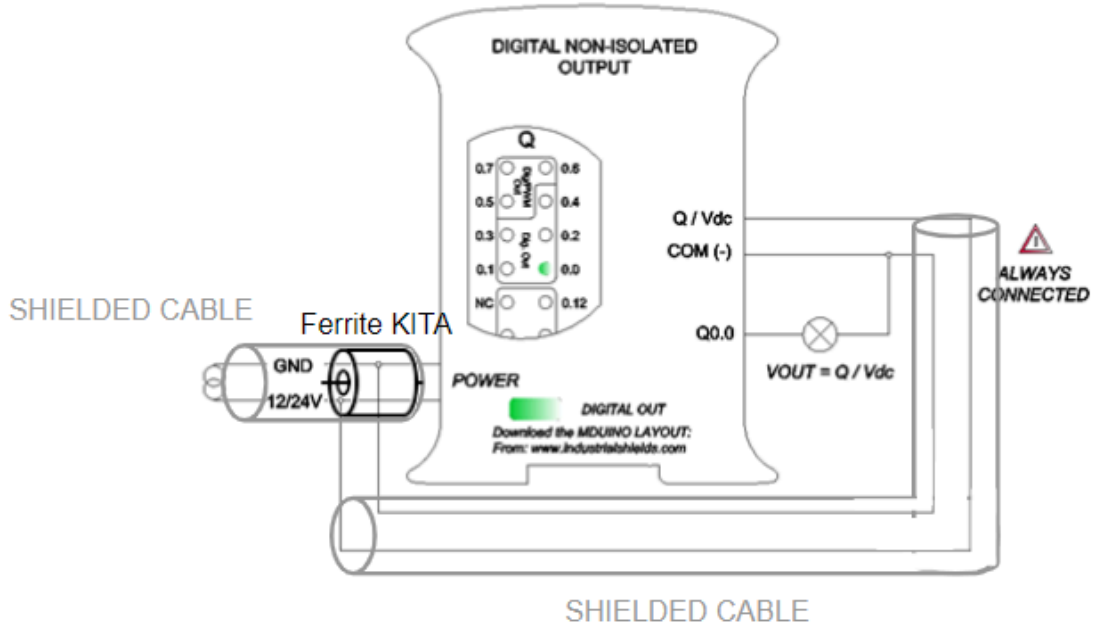


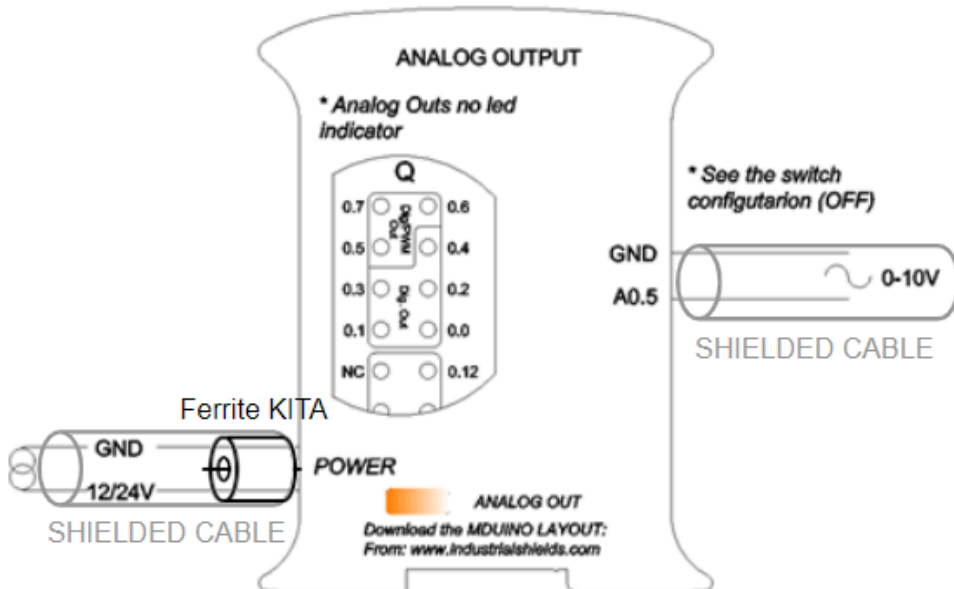
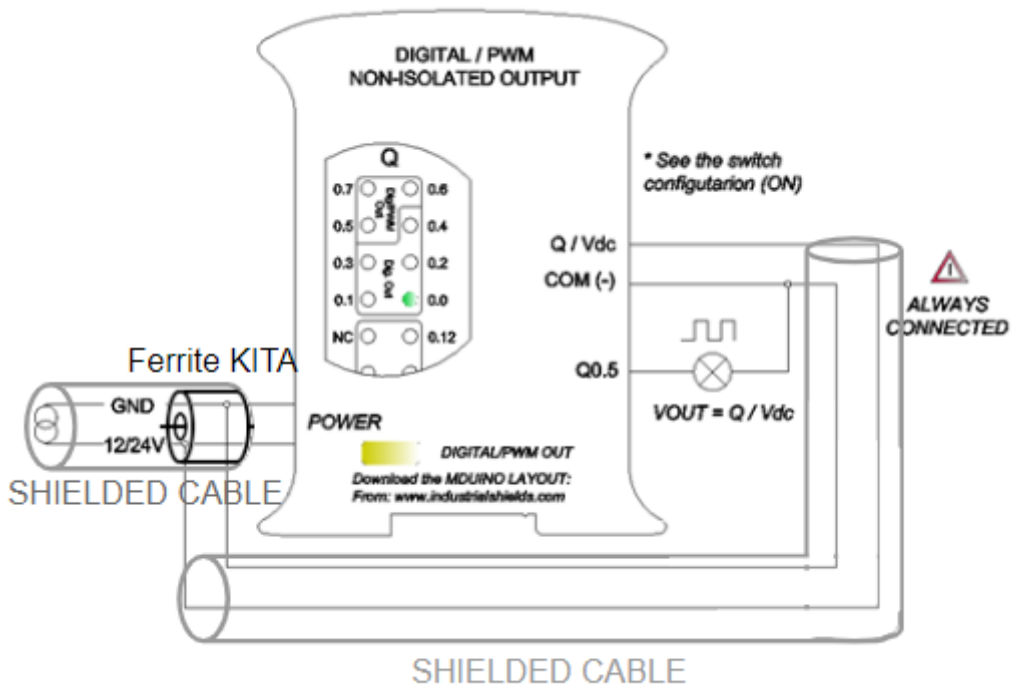
## 16 Typical Connections











## 17 Connector details

The connector inside the PLCs that mounts on the PCB is [MC 0,5/10-G-2,5 - 1881529](https://www.phoenixcontact.com/en-us/products/pcb-header-mc-0510-g-25-1881529)<sup>17</sup> connector from Phoenix contact.

In the PLC we can find other connectors too, and these are the references for them:

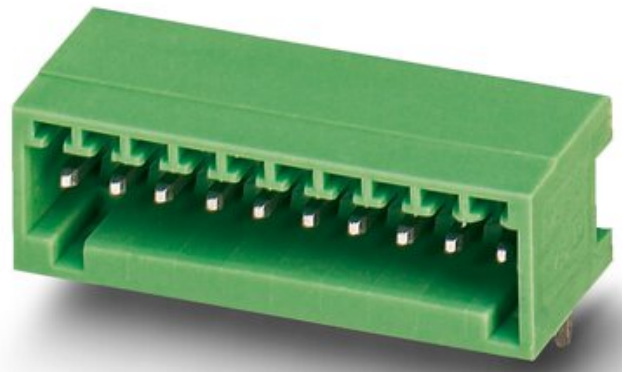
MC 0,5/ 4-G-2,5 - 1881464

MC 0,5/ 6-G-2,5 - 1881480

MC 0,5/ 9-G-2,5 - 1881516

Connection details (10 pins):

|                          |                           |
|--------------------------|---------------------------|
| <b>Article reference</b> | MC 0,5/10-G-2,5 - 1881529 |
| <b>Height</b>            | 8.1 mm                    |
| <b>Pitch</b>             | 2.5 mm                    |
| <b>Dimension</b>         | 22.5 mm                   |
| <b>Pin dimensions</b>    | 0.8 x 0.8 mm              |
| <b>Pin spacing</b>       | 2.5 mm                    |



<sup>17</sup> <https://www.phoenixcontact.com/en-us/products/pcb-header-mc-0510-g-25-1881529>



For I/O and power supply there is a [FK-MC 0,5/10-ST-2,5 - 1881406](#)<sup>18</sup> connector from Phoenix contact.

In the PLC we can find other connectors too, and these are the references for them:

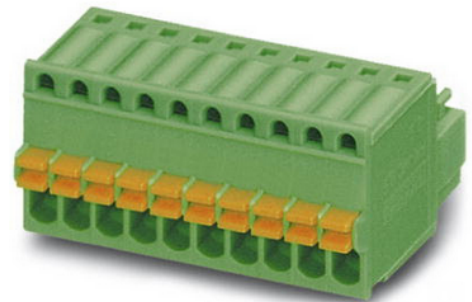
FK-MC 0,5/ 4-ST-2,5 - 1881341

FK-MC 0,5/ 6-ST-2,5 - 1881367

FK-MC 0,5/ 9-ST-2,5 - 1881396

Connection details (10 pins):

| Article reference                     | FK-MC 0,5/10-ST-2,5  |
|---------------------------------------|----------------------|
| <b>Rigid conduit section min.</b>     | 0,14 mm <sup>2</sup> |
| <b>Rigid conduit section max.</b>     | 0,5 mm <sup>2</sup>  |
| <b>Flexible conduit section min.</b>  | 0,14 mm <sup>2</sup> |
| <b>Flexible conduit section max.</b>  | 0,5 mm <sup>2</sup>  |
| <b>Conduit section AWG/kcmil min.</b> | 26                   |
| <b>Conduit section AWG/kcmil max.</b> | 20                   |



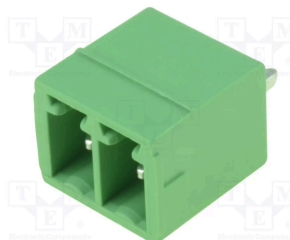
We can also find the relay connectors.

<sup>18</sup>

[https://es.farnell.com/phoenix-contact/fk-mc-0-5-10-st-2-5/plug-libre-muelle-2-5-mm-10-v/dp/1792814?CMP=KNC-GEN-KWL-PDP-High-Aov-phoenix-contact-15-July-22&mckv=\\_dc%7Cpcrid%7C603873204419%7C&gclid=Cj0KCQjw\\_viWBhD8ARIsAH1mCd4jIzLvIJs5K\\_3IEpaW5Anqo3FBLu1TwiPFtyKaiP-rj4LSly67bWoaAuLnEALw\\_wcB](https://es.farnell.com/phoenix-contact/fk-mc-0-5-10-st-2-5/plug-libre-muelle-2-5-mm-10-v/dp/1792814?CMP=KNC-GEN-KWL-PDP-High-Aov-phoenix-contact-15-July-22&mckv=_dc%7Cpcrid%7C603873204419%7C&gclid=Cj0KCQjw_viWBhD8ARIsAH1mCd4jIzLvIJs5K_3IEpaW5Anqo3FBLu1TwiPFtyKaiP-rj4LSly67bWoaAuLnEALw_wcB)

[MCV 1.5/ 2-G-3.81 1803426](#)<sup>19</sup> is the female connector, and [MC 1.5/ 2-ST-3.81, GTIN UPC](#)<sup>20</sup> is the male one. Both are from Phoenix Contact.

|                          |                           |
|--------------------------|---------------------------|
| <b>Article reference</b> | MCV 1,5/ 2-G-3,81 1803426 |
| <b>Height</b>            | 12.6 mm                   |
| <b>Pitch</b>             | 3.81 mm                   |
| <b>Dimension a</b>       | 3.81 mm                   |
| <b>Pin dimensions</b>    | 0.8 x 0.8 mm              |



|                          |                             |
|--------------------------|-----------------------------|
| <b>Article reference</b> | MC 1,5/ 2-ST-3,81 - 1803578 |
| <b>Height</b>            | 11.1 mm                     |
| <b>Pitch</b>             | 3.81 mm                     |
| <b>Dimension a</b>       | 3.81 mm                     |



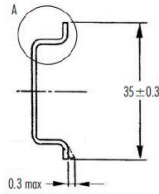
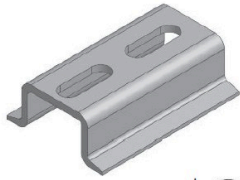
<sup>19</sup>

[https://www.tme.eu/es/details/mcv1.5\\_2-g-3.81/bloque-de-bornas-extraibles/phoenix-contact/mcv-1-5-2-g-3-81-1803426/?brutto=1&currency=EUR&gclid=Cj0KCQjw\\_viwBhD8ARIsAH1mCd763F0sGBmfjy5pmZm9dKysA6ePciWt8md8utGsZX1OfLpgsBx4mnoaAo9GEALw\\_wcB](https://www.tme.eu/es/details/mcv1.5_2-g-3.81/bloque-de-bornas-extraibles/phoenix-contact/mcv-1-5-2-g-3-81-1803426/?brutto=1&currency=EUR&gclid=Cj0KCQjw_viwBhD8ARIsAH1mCd763F0sGBmfjy5pmZm9dKysA6ePciWt8md8utGsZX1OfLpgsBx4mnoaAo9GEALw_wcB)

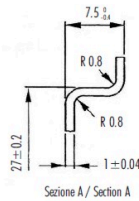
<sup>20</sup>

[https://es.farnell.com/phoenix-contact/1803578/terminal-block-pluggable-2pos/dp/3704907?gclid=Cj0KCQjw\\_viwBhD8ARIsAH1mCd6YjA37NqmaafBXgbRyGExfAM8qDodVOWZPFyLLQhnVygDn8ufNslaAmgYEALw\\_wcB&mckv=\\_dc%7Cpcriid%7C575710444791%7Cplid%7C%7Ckword%7C%7Cmatch%7C%7Cslid%7C%7Cproduct%7C3704907%7Cpgrid%7C131987845643%7Cptaid%7Cpla-372506228807&CMP=KNC-GES-GEN-SMART-SHOPPING-High-Jan-2022&gross\\_price=true](https://es.farnell.com/phoenix-contact/1803578/terminal-block-pluggable-2pos/dp/3704907?gclid=Cj0KCQjw_viwBhD8ARIsAH1mCd6YjA37NqmaafBXgbRyGExfAM8qDodVOWZPFyLLQhnVygDn8ufNslaAmgYEALw_wcB&mckv=_dc%7Cpcriid%7C575710444791%7Cplid%7C%7Ckword%7C%7Cmatch%7C%7Cslid%7C%7Cproduct%7C3704907%7Cpgrid%7C131987845643%7Cptaid%7Cpla-372506228807&CMP=KNC-GES-GEN-SMART-SHOPPING-High-Jan-2022&gross_price=true)

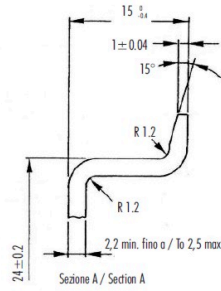
## 18 DIN Rail mounting



Profilato a cappello TH 35-7,5  
Top hat rail TH 35-7,5



Profilato a cappello TH 35-15  
Top hat rail TH 35-15



| CARATTERISTICHE                  | METODO                                   | UNITA' DI MISURA | BLENDE PC/ABS     |           |
|----------------------------------|--|------------------|-------------------|-----------|
| <b>Meccaniche</b>                | Resistenza a trazione allo svecchiamento | ASTM D638        | MPa               | 68        |
|                                  | Resistenza a trazione a rottura          | ASTM D638        | MPa               | 48        |
|                                  | Allungamento a rottura                   | ASTM D638        | %                 | 59        |
|                                  | Modulo in flessione                      | ASTM D790        | MPa               | 2894      |
|                                  | Peso Load con intaglio                   | ISO 180/14       | KJ/m <sup>2</sup> | 5.5       |
| <b>Termiche</b>                  | Temp. di rammolimento Visc. metodo B     | ASTM D1525       | °C                | 114       |
|                                  | Temperatura Kierito 1.81 MPa             | ASTM D648        | °C                | 97        |
| <b>Fisiche</b>                   | Peso specifico                           | ASTM D792        | g/cm <sup>3</sup> | 1.21      |
|                                  | Distin. nella stampa                     | ASTM D955        | %                 | 0.4/0.6   |
|                                  | Melt Flow Index 240°C - 98N              | ASTM D1238       | g/10'             | 11.1      |
| <b>Comportamento alla fiamma</b> | Autochiusura (mm di spessore)            | UL94             | -                 | V-0 (0.8) |
|                                  | Filo Incondens. 3.2 mm                   | IEC6052.1        | °C                | 960       |

Italtronic si riserva il diritto di modificare il materiale con cui realizza i propri prodotti senza obbligo di preavviso.

| FEATURES               | TEST METHOD                           | UNITS      | BLENDE PC/ABS     |           |
|------------------------|---------------------------------------|------------|-------------------|-----------|
| <b>Mechanical test</b> | Resistance to tensile stress at yield | ASTM D638  | MPa               | 68        |
|                        | Tensile strength                      | ASTM D638  | MPa               | 48        |
|                        | Ultimate elongation                   | ASTM D638  | %                 | 59        |
|                        | Flexing modulus                       | ASTM D790  | MPa               | 2894      |
|                        | Load not reached                      | ISO 180/14 | KJ/m <sup>2</sup> | 5.5       |
| <b>Thermal test</b>    | Visc softening temperature method B   | ASTM D1525 | °C                | 114       |
|                        | Rolling temperature 1.81 MPa          | ASTM D648  | °C                | 97        |
| <b>Physical test</b>   | Specific gravity                      | ASTM D792  | g/cm <sup>3</sup> | 1.21      |
|                        | Melt shrinkage                        | ASTM D955  | %                 | 0.4/0.6   |
|                        | Melt Flow Index 240°C - 98N           | ASTM D1238 | g/10'             | 11.1      |
| <b>Flame test</b>      | Self extinguisher (thickness in mm)   | UL94       | -                 | V-0 (0.8) |
|                        | Incondensable thread 3.2 mm           | IEC6052.1  | °C                | 960       |

Italtronic can operate any change of the materials without being obliged to forewarn.

**For optimal operation of the product, it must be located in an electrical cabinet with IK08 mechanical protection. The minimum IP protection degree required is IP56.**

## 19 Installation and Maintenance

### Notes for installation:

- The installation position should be free from the following: dust or oil smoke, conductive dust, corrosive or flammable gas, high temperature, condensation, and rain.
- Besides, vibration and impact also affect the PLC normal operation and shorten its lifespan; electric shock, fire or misact also damages the product. During drilling or wiring, prevent the metal particles or wire segments from falling into the PLC casing, which may cause fire, fault or misact.
- After the PLC installation, clean the ventilation duct to prevent blocking, which may cause bad ventilation, or even fire, faults or misact.
- Do not online connect, plug or unplug cables, which are apt to cause electric shock or damage the circuit. Installation and wire connection must be firm and reliable. Poor connection could cause misact.
- Use shielded twisted pair for the I/O of high frequency signal and analog signal to improve system IMS.

The installation environment should be free from dust, oil smoke, conductive particles, corrosive or flammable gases, high temperature, condensation, and rain.

Besides, vibration and impact also affect the PLC normal operation and shorten its lifespan. It is recommended to install the PLC, together with the matching switches and contactors, in a dedicated electric cabinet and keep the cabinet ventilated. If the location has high ambient temperature or heat generating equipment nearby, install forced convection devices on top or sides of the cabinet to avoid over-temperature. During drilling or wiring, prevent the metal particles or wire segments from falling into the PLC casing, which may cause fire, fault or misact. After the PLC installation, clean the ventilation duct to prevent blocking, which may cause bad ventilation, or even fire, faults or misact.

The only way to disconnect the equipment from the electrical network is by removing the connectors that feed the equipment. Once installed in the electrical cabinet it is very important to ensure the power connectors for proper operation.

### Separate the M-Duino Family PLC from heat, high voltage and electrical noise:

Always separate the devices that generate high voltage and high electrical noise from the M-Duino. When configuring the layout of the M-Duino inside your panel, consider the heat-generating devices and locate the electronic-type devices in the cooler areas of your cabinet. Reducing the exposure to a high-temperature environment will extend the operating life of any electronic device. Consider also the routing of the wiring for the devices in the electric cabinet. Avoid placing low-voltage signal wires and communications cables in the same tray with AC power wiring and high energy, rapidly-switched DC wiring.

Provide adequate clearance for cooling and wiring M-Duino. Is designed for natural convection cooling. For proper cooling, you must provide a clearance of at least 25 cm

above and below the devices. Also, allow at least 25 cm of depth between the front of the modules and the inside of the enclosure.

### Notes for maintenance:

A well-planned and executed maintenance program is essential to the satisfactory operation of solid-state electrical equipment. The kind and frequency of the maintenance operation will vary with the kind and complexity of the equipment as well as with the nature of the operating conditions. Maintenance recommendations of the manufacturer or appropriate product standards should be followed.

The following factors should be considered when formulating a maintenance program:

- Maintenance must be performed by qualified personnel familiar with the construction, operation, and hazards involved with the control.
- Maintenance should be performed with the control out of operation and disconnected from all sources of power.
- Care should be taken when servicing electrostatic sensitive components. The manufacturer's recommendations for these components should be followed.
- Ventilation passages should be kept open. If the equipment depends upon auxiliary cooling, e.g., air, water, or oil, periodic inspection (with filter replacement when necessary) should be made of these systems.
- The means employed for grounding or insulating the equipment from ground should be checked to assure its integrity.
- Accumulations of dust and dirt on all parts, including on semiconductor heat sinks, should be removed according to the manufacturer's instructions, if provided; otherwise, the manufacturer should be consulted. Care must be taken to avoid damaging any delicate components and to avoid displacing dust, dirt, or debris in a way that permits it to enter or settle into parts of the control equipment.
- Enclosures should be inspected for evidence of deterioration. Accumulated dust and dirt should be removed from the top of the enclosures before opening doors or removing covers.
- Certain hazardous materials removed as part of maintenance or repair procedure (e.g., polychlorinated biphenyls (PCBs) found in some liquidfilled capacitors) must be disposed of as described in Federal regulations.

### Safety rules for maintenance personnel

Consider the following steps to follow. A false manoeuvre could be the cause of an accident or material damage.

Do not disassemble or modify the modules. This could lead to breakdowns or malfunctions and could lead to injuries or fire.

- All types of radio communication devices, including mobile phones and personal handy-phone systems (PHS), must be kept more than **25cm** away from the PLC in all directions. Failure to observe this precaution exposes malfunctions caused by an excess of temperature.
- Disconnect the external power supply of the system (on all phases) before connecting or disconnecting a module. Failure to observe this precaution may cause faults or malfunctions of the module.

- Tighten the screws of the terminal ports and the screws of the connectors within the prescribed tightening torque. Insufficient tightening can lead to loose parts or wires and cause malfunctions. Excessive tightening can damage the screws and / or the module, with the risk of falling, short circuits and malfunctions.
- Before handling a module, dispose of the electrostatic charge accumulated by the human body by touching a suitable conductive object. Failure to observe this precaution may cause faults or malfunctions of the module.

**Repair note:**

If the equipment is suitable to be repaired, it must be verified that the equipment remains in a safe state after repair.

## 20 Revision Table

| Revision Number | Date       | Changes   |
|-----------------|------------|---|
| 0               | 29/08/2019 | First implementation                                  |
| 1               | 02/03/2020 | Second implementation                                 |
| 2               | 23/11/2020 | Third implementation                                  |
| 3               | 30/09/2022 | M-Duino GPRS Family User Manual Implementation        |
| 4               | 11/03/2024 | Added section 14 "Digital inputs threshold detection" |
| 5               | 26/09/2024 | Added section 3.4 ("Isolation Precautions")           |
| 6               | 03/12/2024 | Removed wrong IORef pin reference                     |

About Industrial Shields:

Direction: Camí del Grau, nº25

Zip/Postal Code: 08272

City: Sant Fruitós de Bages (Barcelona)

Country: Spain

Telephone: (+34) 938 760 191 / (+34) 635 693 611

Mail: [industrialshields@industrialshields.com](mailto:industrialshields@industrialshields.com)



INDUSTRIAL SHIELDS

## M-DUINO LoRa PLC ARDUINO FAMILY

M-DUINO LoRa PLC ARDUINO  
FAMILY





# PLC M-Duino LoRa Family User Guide

**Revised December 2024**

## Preface

This User Guide has been implemented by Boot & Work, S.L. working under the name Industrial Shields.

### Purpose of the manual

The information contained in this manual can be used as a reference to operating, to functions, and to the technical data of the signal modules, power supply modules and interface modules.

### Intended Audience

This User Guide is intended for the following audience:

- Persons in charge of introducing automation devices.
- Persons who design automation systems.
- Persons who install or connect automation devices.
- Persons who manage working automation installation.



### Warnings:

- Unused pins should not be connected. Ignoring the directive may damage the controller.
- Improper use of this product may severely damage the controller.
- Refer to the controller's User Guide regarding wiring considerations.
- Before using this product, it is the responsibility of the user to read the product's User Guide and all accompanying documentation.
- Maintenance must be performed by qualified personnel familiarised with the construction, operation, and hazards involved with the control.
- Maintenance should be performed with the control out of operation and disconnected from all sources of power.
- Care should be taken when servicing electrostatic sensitive components. The manufacturer's recommendations for these components should be followed.

- The M-Duino LoRa Family PLCs are Open Type Controllers. It is required that you install the M-Duino LoRa PLC in a housing, cabinet, or electric control room. Entry to the housing, cabinet, or electric control room should be limited to authorised personnel. Failure to follow these installation requirements could result in severe personal injury and/or property damage. Always follow these requirements when installing M-Duino family PLCs.
- In case of installation or maintenance of the M-Duino please follow the instructions marked in the Installation and Maintenance section.
- Do not disconnect equipment when a flammable or combustible atmosphere is present. Disconnection of equipment when a flammable or combustible atmosphere is present may cause a fire or explosion which could result in death, serious injury and/or property damage.



### Avertissements:

- Les broches non utilisées ne doivent pas être connectées. Ignorer la directive peut endommager le contrôleur.
- Une utilisation incorrecte de ce produit peut endommager gravement le contrôleur.
- Reportez-vous au Guide de l'utilisateur du contrôleur pour les considérations de câblage.
- Avant d'utiliser ce produit, il incombe à l'utilisateur de lire le Guide de l'utilisateur du produit et la documentation qui l'accompagne.
- La maintenance doit être effectuée par personnel qualifié familiarisé avec la fabrication, le fonctionnement et les dangers liés au contrôleur.
- La maintenance doit être effectuée avec l'équipement hors service et déconnectée de toutes les sources d'alimentation.
- Faites attention lors de l'entretien des composants sensibles à l'électricité statique. Les recommandations du fabricant pour ces composants doivent être suivies.
- Les automates de la famille M-Duino sont des contrôleurs de type ouvert. Il est nécessaire d'installer l'automate M-Duino dans un boîtier, une armoire ou une salle de contrôle électrique. L'accès au boîtier, à l'armoire ou à la salle de commande électrique doit être limité au personnel autorisé. Le non-respect de ces exigences d'installation peut entraîner des blessures graves et/ou des dommages matériels importants. Respectez toujours ces exigences lors de l'installation des automates de la famille M-Duino.
- En cas d'installation ou de maintenance du M-Duino, veuillez suivre les instructions indiquées dans la section Installation et Maintenance.
- Ne débranchez pas l'équipement en présence d'une atmosphère inflammable ou combustible. La déconnexion de l'équipement en présence d'une atmosphère inflammable ou combustible peut provoquer un incendie ou une explosion pouvant entraîner la mort, des blessures graves et/ou des dommages matériels.

## Application Considerations and Warranty

### Read and understand this manual

Please read and understand this manual before using the product. Please consult your comments or questions to Industrial Shields before using the product.

### Application Consideration

THE PRODUCTS CONTAINED IN THIS DOCUMENT ARE NOT SAFETY RATED. THEY SHOULD NOT BE RELIED UPON AS A SAFETY COMPONENT OR PROTECTIVE DEVICE FOR ENSURING SAFETY OF PERSONS, AS THEY ARE NOT RATED OR DESIGNED FOR SUCH PURPOSES.

Please know and observe all prohibitions of use applicable to the products.

FOR AN APPLICATION INVOLVING SERIOUS RISK TO LIFE OR PROPERTY WITHOUT ENSURING THAT THE SYSTEM AS A WHOLE HAS BEEN DESIGNED TO ADDRESS THE RISKS, NEVER USE THE INDUSTRIAL SHIELDS PRODUCTS.

NEVER USE THE INDUSTRIAL SHIELDS PRODUCTS BEFORE THEY ARE PROPERLY RATED AND INSTALLED FOR THE INTENDED USE WITHIN THE OVERALL EQUIPMENT OR SYSTEM.

Industrial Shields shall not be responsible for conformity with any codes, regulations or standards that apply to the combination of products in the customer's application or use of the product.

The following are some examples of applications for which particular attention must be given. This is not intended to be an exhaustive list of all possible uses of the products, nor is it intended to imply that the uses may be suitable for the products:

- Systems, machines, and equipment that could present a risk to life or property.
- Nuclear energy control systems, combustion systems, railroad systems, aviation systems, medical equipment, amusement machines, vehicles, safety equipment, and installation subject to separate industry or government regulations.
- Outdoor use, uses involving potential chemical contamination or electrical interference, or conditions or uses not described in this document.

At the customer's request, INDUSTRIAL SHIELDS will provide applicable third party certification documents identifying ratings and limitations of use that apply to the products. This information by itself is not sufficient for a complete determination of the suitability of the products in combination with the system, machine, end product, or other application or use.

## Intended use of Industrial Shields products

### Consider the following:

Industrial Shields products should only be used for the cases of application foreseen in the catalogue and the associated technical documentation. If third-party products and components are used, they must have been recommended or approved by Industrial Shields.

The correct and safe operation of the products requires that your transport, storage, installation, assembly, operation and maintenance have been carried out in a correct manner. It must respect the permissible ambient conditions. You should also follow the indications and warnings that appear in the associated documentation.

The product / system dealt with in this documentation should only be handled or manipulated by qualified personnel for the task entrusted and observing what is indicated in the documentation corresponding to it, particularly the safety instructions and warnings included in it. Due to their training and experience, qualified personnel are in a position to recognize risks resulting from the handling or manipulation of such products / systems and to avoid possible hazards.

## Disclaimers

### Weights and Dimensions

Dimensions and weights are nominal and they are not used for manufacturing purposes, even when tolerances are shown.

### Performance Data

The performance data given in this manual is provided as a guide for the user in determining suitability and does not constitute a warranty. It may represent the result of INDUSTRIAL SHIELDS's test conditions, and the users most correlate it to actual application requirements. Actual performance is subject to the INDUSTRIAL SHIELDS Warranty and Limitations of Liability.

## Errors and Omissions

The information in this document has been carefully checked and is believed to be accurate; however, no responsibility is assumed for clerical, typographical, or proofreading errors, or omissions.

## Residual Risks

The control and drive components of an Industrial Shields PLC are approved for industrial and commercial use in industrial line supplies. Their use in public line supplies requires a different configuration and/or additional measures. These components may only be operated in closed housings or in higher-level control cabinets with protective covers that are closed, and when all of the protective devices are used. These components may only be handled by qualified and trained technical personnel who are knowledgeable and observe all of the safety information and instructions on the components and in the associated technical user documentation. When carrying out a risk assessment of a machine in accordance with the EU Machinery Directive, the machine manufacturer must consider the following residual risks associated with the control and drive components of a PDS.

1. Unintentional movements of driven machine components during commissioning, operation, maintenance, and repairs caused by, for example: – Hardware defects and/or software errors in the sensors, controllers, actuators, and connection technology – Response times of the controller and drive – Operating and/or ambient conditions not within the scope of the specification – Condensation / conductive contamination – Parameterization, programming, cabling, and installation errors – Use of radio devices / cellular phones in the immediate vicinity of the controller – External influences / damage.
2. Exceptional temperatures as well as emissions of noise, particles, or gas caused by, for example: – Component malfunctions – Software errors – Operating and/or ambient conditions not within the scope of the specification – External influences / damage.
3. Hazardous shock voltages caused by, for example: – Component malfunctions – Influence of electrostatic charging – Induction of voltages in moving motors – Operating and/or ambient conditions not within the scope of the specification – Condensation / conductive contamination – External influences / damage
4. Electrical, magnetic and electromagnetic fields generated in operation that can pose a risk to people with a pacemaker, implants or metal replacement joints, etc. if they are too close.
5. Release of environmental pollutants or emissions as a result of improper operation of the system and/or failure to dispose of components safely and correctly.

## Warranty and Limitations of Liability

### Warranty

Industrial Shields's exclusive warranty is that the products are free from defects in materials and workmanship for a period of one year (or other period if specified) from date of sale by Industrial Shields.

INDUSTRIAL SHIELDS MAKES NO REPRESENTATION OR WARRANTY, EXPRESSED OR IMPLIED, REGARDING MERCHANTABILITY, NON-INFRINGEMENT, OR FITNESS FOR PARTICULAR PURPOSE OF THE PRODUCTS. ANY BUYER OR USER ACKNOWLEDGES THAT THE BUYER OR USER ALONE HAS DETERMINED THAT THE PRODUCTS WILL SUITABLY MEET THE REQUIREMENTS OF THEIR INTENDED USE. INDUSTRIAL SHIELDS DISCLAIMS ALL OTHER WARRANTIES, EXPRESS OR IMPLIED.

### Limitations of Liability

INDUSTRIAL SHIELDS SHALL NOT BE RESPONSIBLE FOR SPECIAL, INDIRECT, OR CONSEQUENTIAL DAMAGES, LOSS OF PROFITS OR COMERCIAL LOSS IN ANY WAY CONNECTED WITH THE PRODUCTS, WHETHER SUCH CLAIM IS BASED ON CONTRACT, WARRANTY, NEGLIGENCE, OR STRICT LIABILITY.

IN NO EVENT SHALL INDUSTRIAL SHIELDS BE RESPONSIBLE FOR WARRANTY, REPAIR OR OTHER CLAIMS REGARDING THE PRODUCTS UNLESS INDUSTRIAL SHIELDS'S ANALYSIS CONFIRMS THAT THE PRODUCTS WERE PROPERLY HANDLED, STORED, INSTALLED, AND MAINTAINED AND NOT SUBJECT TO CONTAMINATION, ABUSE, MISUSE, OR INAPPROPRIATE MODIFICATION OR REPAIR.

## ETL Listing Mark-Direct Imprint information

### Recognized Component ETL Classified



#### Conforms to:

UL Std. 61010-1  
UL Std. 61010-2-201  
Cert. To CSA Std. C22.2 No. 61010-1  
Cert. To CSA Std. C22.2 No.61010-2-201

#### Place for control

number:  
5016476

# Table of Contents

|   |           |
|---|-----------|
| <b>1 General Description M-DUINO LoRa product</b>     | <b>10</b> |
| 1.1 Zone - Nomenclature                               | 10        |
| 1.2 Reference table                                   | 11        |
| 1.3 Zones Table                                       | 12        |
| 1.4 A Zone Features                                   | 13        |
| 1.5 Mechanical dimensions and weights                 | 13        |
| 1.6 General Features                                  | 14        |
| 1.7 Power consumption of the M-Duino LoRa Family PLCs | 16        |
| <b>2 Technical Specifications</b>                     | <b>17</b> |
| 2.1 General Specifications                            | 17        |
| 2.2 Performance Specification                         | 17        |
| 2.3 Symbology   | 18        |
| <b>3 Precautions</b>                                  | <b>19</b> |
| 3.1 Arduino Board                                     | 19        |
| 3.2 Intended Audience                                 | 19        |
| 3.3 General Precautions                               | 19        |
| 3.4 Isolation Precautions                             | 19        |
| <b>4 M-Duino Pinout</b>                               | <b>20</b> |
| <b>5 Serigraphy</b>                                   | <b>21</b> |
| 5.1 A Zone connection (Communications)                | 21        |
| 5.2 Analog/Digital Zone connection (I/Os)             | 23        |
| 5.3 Relay Zone connection (I/Os)                      | 24        |
| 5.4 Interrupt equivalence table                       | 25        |
| <b>6 Software interface</b>                           | <b>26</b> |
| <b>7 How to connect PLC Arduino to PC</b>             | <b>29</b> |
| <b>8 How to connect PLC to power supply</b>           | <b>30</b> |
| <b>9 Switch configuration</b>                         | <b>31</b> |
| 9.1 A Zone: Communications                            | 31        |
| 9.2 Digital/Analogic Shield Switches                  | 33        |
| 9.3 Relay Shield Switches                             | 34        |
| <b>10 M-Duino Arduino I/Os 5V pins</b>                | <b>35</b> |
| 10.1 I2C pins – SDA/SCL                               | 35        |
| 10.2 Serial 0 – RX0/TX0                               | 36        |
| 10.3 Serial 1 – RX1/TX1                               | 36        |
| 10.4 SPI – MISO/MOSI/SCK                              | 36        |
| 10.5 Pin 3  | 36        |



|   |           |
|---|-----------|
| <b>11 A Zone Features: Communications &amp; RTC &amp; uSD</b>                     | <b>37</b> |
| 11.1 RS-232   | 37        |
| 11.2 RS-485   | 37        |
| 11.3 I2C  | 38        |
| 11.4 SPI  | 38        |
| 11.5 TTL  | 38        |
| 11.6 Ethernet   | 38        |
| 11.7 RTC  | 39        |
| 11.8 uSD  | 39        |
| <b>12 Examples</b>  | <b>41</b> |
| 12.1 What is LoRa and LoRaWAN?  | 41        |
| 12.2 How to work with LoRaWAN and a PLC controller                                | 41        |
| <b>13 Instructions for interconnection between Industrial Shields controllers</b> | <b>42</b> |
| 13.1 RS-232 Communication:  | 42        |
| 13.2 RS-485 Communication:  | 42        |
| 13.2.1 Half Duplex  | 42        |
| 13.2.2 Full Duplex  | 42        |
| 13.3 Ethernet   | 43        |
| <b>14 Digital inputs threshold detection</b>                                      | <b>43</b> |
| <b>15 I/O technical details:</b>  | <b>44</b> |
| <b>16 Typical Connections</b>   | <b>46</b> |
| <b>17 Connector details</b>   | <b>51</b> |
| <b>18 DIN Rail mounting</b>   | <b>54</b> |
| <b>19 Installation and Maintenance</b>  | <b>55</b> |
| <b>20 Revision Table</b>  | <b>58</b> |



INDUSTRIAL SHIELDS

## 1 General Description M-DUINO LoRa product

### 1.1 Zone - Nomenclature

The nomenclature shown in this point will be used in the whole User Guide, so it is important to understand this nomenclature.

The nomenclature to differentiate the zones is based on the Alphabet, being A the shield from below and D the shield from above. Having a B and a C in the middle of them.:



- The inputs in the zone B are named I0.X, being X any number suitable in the Shield. Outputs are named as Q0.X and relays as R0.X
- The inputs in the zone C are named I1.X, being X any number suitable in the Shield. Outputs are named as Q1.X and relays as R1.X
- The inputs in the zone D are named I2.X, being X any number suitable in the Shield. Outputs are named as Q2.X and relays as R2.X

## 1.2 Reference table

| Reference Table  |              |
|--|--------------|
| Model  | Reference    |
| PLC M-Duino General Family   |              |
| M-DUINO PLC Arduino Ethernet & LoRa 19R I/Os Relay / Analog / Digital PLUS   | 015001000100 |
| M-DUINO PLC Arduino Ethernet & LoRa 21 I/Os Analog/Digital PLUS              | 015001000200 |
| M-DUINO PLC Arduino Ethernet & LoRa 38R I/Os Relay / Analog / Digital PLUS   | 015001000300 |
| M-DUINO PLC Arduino Ethernet & LoRa 38AR I/Os Relay / Analog / Digital PLUS  | 015001000700 |
| M-DUINO PLC Arduino Ethernet & LoRa 42 I/Os Analog/Digital PLUS              | 015001000400 |
| M-DUINO PLC Arduino Ethernet & LoRa 50RRA I/Os Relay / Analog / Digital PLUS | 015001000900 |
| M-DUINO PLC Arduino Ethernet & LoRa 53ARR I/Os Relay / Analog / Digital PLUS | 015001001000 |
| M-DUINO PLC Arduino Ethernet & LoRa 54ARA I/Os Relay / Analog / Digital PLUS | 015001001100 |
| M-DUINO PLC Arduino Ethernet & LoRa 57AAR I/Os Relay / Analog / Digital PLUS | 015001000800 |
| M-DUINO PLC Arduino Ethernet & LoRa 57R I/Os Relay / Analog / Digital PLUS   | 015001000500 |
| M-DUINO PLC Arduino Ethernet & LoRa 58 I/Os Analog/Digital PLUS              | 015001000600 |

To find the reference of your M-Duino LoRa PLC, check the arrow in the picture below. In the example, the reference is:



### 1.3 Zones Table

| Model                   | Zones Table |                  |                  |                  |
|-------------------------|-------------|------------------|------------------|------------------|
|                         | Zone A      | Zone B           | Zone C           | Zone D           |
| M-Duino LoRa PLC 19R+   | ✓           | Relay            | -                | -                |
| M-Duino LoRa PLC 21+    | ✓           | Analog / Digital | -                | -                |
| M-Duino LoRa PLC 38R+   | ✓           | Relay            | Relay            | -                |
| M-Duino LoRa PLC 38AR+  | ✓           | Analog / Digital | Relay            | -                |
| M-Duino LoRa PLC 42+    | ✓           | Analog / Digital | Analog / Digital | -                |
| M-Duino LoRa PLC 50RRA+ | ✓           | Relay            | Relay            | Analog / Digital |
| M-Duino LoRa PLC 53ARR+ | ✓           | Analog / Digital | Relay            | Relay            |
| M-Duino LoRa PLC 54ARA+ | ✓           | Analog / Digital | Relay            | Analog / Digital |
| M-Duino LoRa PLC 57AAR+ | ✓           | Analog / Digital | Analog / Digital | Relay            |
| M-Duino LoRa PLC 57R+   | ✓           | Relay            | Relay            | Relay            |
| M-Duino LoRa PLC 58+    | ✓           | Analog / Digital | Analog / Digital | Analog / Digital |

The distribution of the different features that provide the M-Duino LoRa PLC Family is the following one:

| Shield        | B Zone   | C Zone   | D Zone   |
|---------------|--|--|--|
| Analog Shield | <p>12 Inputs<br/>(12 Digital Inputs, 6 of which can work as Analog Input)</p> <p>8 Outputs<br/>(8 Digital Outputs, 3 of which can work as Analog Output)</p>               | <p>13 Inputs<br/>(13 Digital Inputs, 6 of which can work as Analog Input)</p> <p>8 Outputs<br/>(8 Digital Outputs, 3 of which can work as Analog Output)</p>               | <p>10 Inputs<br/>(10 Digital Inputs, 4 of which can work as Analog Input)</p> <p>4 Outputs<br/>(4 Digital Outputs)</p> |
| Relay Shield  | <p>5 inputs<br/>(5 Digital Inputs, 4 of which can work as Analog Input)</p> <p>3 Outputs<br/>(3 Digital Outputs, 3 of which can work as Analog Output)</p> <p>8 Relays</p> | <p>6 inputs<br/>(5 Digital Inputs, 4 of which can work as Analog Input)</p> <p>3 Outputs<br/>(3 Digital Outputs, 3 of which can work as Analog Output)</p> <p>8 Relays</p> | <p>6 inputs<br/>(6 Digital Inputs, 4 of which can work as Analog Input)</p> <p>0 Outputs</p> <p>7 Relays</p>           |

## 1.4 A Zone Features

| Shield               | A Zone   |
|----------------------|--|
| Communication Shield | (1x) Ethernet<br>(1x) USB<br>(1x) I2C<br>(2x) TTL<br>(1x) RS-232<br>(1x) HALF/FULL Duplex RS-485<br>(1x) SPI external Port<br>(1x) RTC<br>(1x) uSD Socket<br>(1x) LoRa |

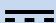

## 1.5 Mechanical dimensions and weights

| Model                   | Measures Table |            |            |                |
|-------------------------|----------------|------------|------------|----------------|
|                         | Height (mm)    | Width (mm) | Depth (mm) | Max weight (g) |
| M-Duino LoRa PLC 19R+   | 119.5          | 70.1       | 101        | 394            |
| M-Duino LoRa PLC 21+    | 119.5          | 70.1       | 101        | 394            |
| M-Duino LoRa PLC 38R+   | 119.5          | 94.7       | 101        | 504            |
| M-Duino LoRa PLC 38AR+  | 119.5          | 94.7       | 101        | 504            |
| M-Duino LoRa PLC 42+    | 119.5          | 94.7       | 101        | 504            |
| M-Duino LoRa PLC 50RRA+ | 119.5          | 119.3      | 101        | 614            |
| M-Duino LoRa PLC 53ARR+ | 119.5          | 119.3      | 101        | 614            |
| M-Duino LoRa PLC 54ARA+ | 119.5          | 119.3      | 101        | 614            |
| M-Duino LoRa PLC 57AAR+ | 119.5          | 119.3      | 101        | 614            |
| M-Duino LoRa PLC 57R+   | 119.5          | 119.3      | 101        | 614            |
| M-Duino LoRa PLC 58+    | 119.5          | 119.3      | 101        | 614            |

## 1.6 General Features

| CONNECTABLE PLC ARDUINO 24Vcc M-DUINO        |   |  |
|--|---|--|
| MODEL TYPE                                   | Controller General Specifications   | Information  |
| <b>Input Voltage</b>                         | 12 to 24Vdc<br>=  | Fuse protection (2.5A)<br>Polarity protection  |
| <b>Input rated voltage</b>                   | 24 Vdc<br>=   |  |
| <b>Rated Power</b>                           | 30W   |  |
| <b>I max.</b>                                | 1.5A  |  |
| <b>Size</b>                                  | <a href="#">Check size and weight table</a>   |  |
| <b>Clock Speed</b>                           | 16MHz   |  |
| <b>Flash Memory</b>                          | 256KB of which 8KB used by bootloader   |  |
| <b>SRAM</b>                                  | 8KB   |  |
| <b>EEPROM</b>                                | 4KB   |  |
| <b>Communications</b>                        | I2C – Ethernet Port – USB – RS485 – RS232 – SPI – (2x) RX, TX (Arduino pins)  | Max232-Max485-W5500 - Sim800L  |
| <b>USB consideration!</b>                    | <b>Only meant for uploading or debugging, not always connected as a serial in a project!</b>  | <b>Cannot be working in a final application</b>  |
| <b>An/Dig Input 10bit</b><br>(0-10Vcc)       | 0 to 10Vdc<br>Input Impedance: 39K<br>Separated PCB ground<br>Rated Voltage: 10Vdc<br><br>5 to 24Vdc<br>I min: 2 to 12mA<br>Galvanic Isolation<br>Rated Voltage: 24Vdc<br>= | Max read time: 116 us<br><br>*Check <a href="#">Section 14</a> for digital inputs threshold detection  |
| <b>Digital Isolated Input</b><br>(24Vcc)     | 5 to 24Vdc<br>I min: 2 to 12mA<br>Galvanic Isolation<br>Rated Voltage: 24Vdc<br>=   | All Digital Inputs are PNP .<br>Click <a href="#">here</a> <sup>1</sup> for more information.<br><br>Max read time: 8us  |
| <b>* Interrupt isolated Input HS</b> (24Vcc) | 5 to 24Vdc<br>I min: 2 to 12mA<br>Galvanic Isolation<br>Rated Voltage: 24Vdc<br>=   | Max read time: 8us   |
| <b>Analog Output 8bit</b><br>(0-10Vcc)       | 0 to 10Vdc<br>I max: 20mA<br>Separated PCB ground<br>Rated Voltage: 10Vdc<br>=  | Output frequency: 2Hz<br><br>Rising edge time: 150ms<br>Falling edge time: 252ms   |
| <b>Digital Isolated Output</b><br>(24Vcc)    | 5 to 24Vdc<br>I max: 70mA<br>Galvanic Isolation<br>Diode Protected for Relay<br>Rated Voltage: 24Vdc<br>=   | I <sub>max</sub> 24Vdc: 410mA<br><br>With 70us delay,<br>freq is 6.849MHz<br>with pulse width of 106us<br><br>Rising edge time: 476ns<br>Falling edge time: 42.8us |

<sup>1</sup> <https://www.industrialshields.com/blog/arduino-industrial-1/post/pnp-digital-inputs-on-industrial-plc-193>

|  |   |   |
|--|---|---|
| <b>Digital Isolated Output</b><br>Relay  | 30Vdc / 250Vac<br>Galvanic Isolation<br>Diode protected for Relay<br>  | I <sub>max</sub> : 3A (30Vdc)<br>I <sub>max</sub> : 5A (250Vac)                 |
| <b>PWM Isolated Output</b><br><b>8bit</b> (24Vcc)                              | 5 to 24Vdc<br>I <sub>max</sub> : 70mA<br>Galvanic Isolation<br>Diode Protected for Relay<br>Rated Voltage: 24Vdc<br> |   |
| <b>Direct Arduino Pin</b><br>Output  | 0 to 5Vdc<br>I <sub>max</sub> : 40mA<br>Rated Voltage: 5Vdc   | Max frequency: 77kHz<br><br>Rising edge time: 200ns<br>Falling edge time: 200ns |
| <b>Direct Arduino Pin</b><br>Input   | 0 to 5Vdc<br>I <sub>max</sub> : 40mA<br>Rated Voltage: 5Vdc   | Max read time: 8us  |
| <b>I2C Pin</b>   | 5V Pull-up  | Max frequency: 100kHz<br>Rising edge time: 10us<br>Falling edge time: 150ns     |
| <b>One-Wire Pin</b>  | Usable pins:<br>Pin3, SCL, SDA, RX0, TX0,<br>RX1, TX1, MISO, MOSI, SCK  | Frequency: 800kHz   |
| <b>Expandability</b>   | I2C - 127 elements - Serial Port RS232/RS485  |   |
| <b>* By using this type of signal can no longer use Digital signal (24Vdc)</b> |   |   |

## 1.7 Power consumption of the M-Duino LoRa Family PLCs

| Model  | Current resting (mA) | Power resting (W) | Current active (mA) | Power active (W) |
|--------|----------------------|-------------------|---------------------|------------------|
| 21+    | 99                   | 2,376             | 120                 | 2,88             |
| 42+    | 92                   | 2,208             | 128                 | 3,072            |
| 58+    | 76                   | 1,824             | 126                 | 3,024            |
| 19R+   | 80                   | 1,92              | 202                 | 4,848            |
| 38R+   | 77                   | 1,848             | 313                 | 7,512            |
| 57R+   | 73                   | 1,752             | 425                 | 10,2             |
| 38AR+  | 72                   | 1,728             | 221                 | 5,304            |
| 53ARR+ | 71                   | 1,704             | 323                 | 7,752            |
| 57AAR+ | 71                   | 1,704             | 221                 | 5,304            |
| 54ARA+ | 76                   | 1,824             | 231                 | 5,544            |
| 50RRA+ | 82                   | 1,968             | 322                 | 7,728            |

The power consumption is measured at 24Vdc.

The **current resting** column denotes the minimum current drawn by the PLC when all outputs are at a LOW level, representing the PLC's baseline power consumption.



In contrast, the **current active** column reflects the current drawn by the PLC when all outputs are at a HIGH level, and there are no connections to any of the outputs. While this value is not the absolute maximum the Arduino based PLC can draw, it serves as a reference point for expected current values.

It's important to note that the practical maximum current may vary depending on the type of actuators connected to the outputs and the number of I/Os used. The actual consumption can be influenced by the specific configuration and load connected to the PLC's outputs."



## 2 Technical Specifications

### 2.1 General Specifications




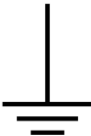




| Item                            |                              | M-Duino LoRa Family PLC   |
|---------------------------------|------------------------------|---|
| Power supply voltage            | DC power supply              | 12 to 24Vdc   |
| Operating voltage range         | DC power supply              | 11.4 to 25.4Vdc    |
| Power consumption               | DC power supply              | 30W max.  |
| External power supply           | Power supply voltage         | 24Vdc    |
|                                 | Power supply output capacity | 700mA   |
| Insulation resistance           |                              | 20MΩ min.at 500Vdc between the AC terminals and the protective earth terminal.  |
| Dielectric strength             |                              | 2.300Vac at 50/60 Hz for one minute with a leakage current of 10mA max. Between all the external AC terminals and the protective ground terminal. |
| Shock resistance                |                              | 80m/s <sup>2</sup> in the X, Y and Z direction 2 times each.  |
| Ambient temperature (operating) |                              | 0° to 60°C  |
| Ambient humidity (operating)    |                              | 10% to 90% (no condensation)  |
| Ambient environment (operating) |                              | With no corrosive gas   |
| Ambient temperature (storage)   |                              | -20° to 60°C  |
| Power supply holding time       |                              | 2ms min.  |
| Weight                          |                              | <a href="#">Check size and weight table</a>   |

### 2.2 Performance Specification

|                         |   |
|-------------------------|---|
| Arduino Board           | ARDUINO MEGA 2560   |
| Control method          | Stored program method   |
| I/O control method      | Combination of the cyclic scan and immediate refresh processing methods.  |
| Programming language    | Arduino IDE. Based on wiring (Wiring is an Open Source electronics platform composed of a programming language. "similar to the C". <a href="http://arduino.cc/en/Tutorial/HomePage">http://arduino.cc/en/Tutorial/HomePage</a> |
| Microcontroller         | ATmega2560  |
| Flash Memory            | 256KB of which 8KB are used by the bootloader   |
| Program capacity (SRAM) | 8KB   |
| EEPROM                  | 4KB   |
| Clock Speed             | 16MHz   |

## 2.3 Symbology

Table that includes all the symbology that is used in the serigraph of the M-Duino LoRa PLC Family:

| Symbol  | Standard No. / Standard Title                      | Standard Reference No. / Symbol Title | Symbol Meaning   |
|---|--|---------------------------------------|--|
|    | IEC 60417 / Graphical symbols for use on equipment | 5031 / Direct Current                 | Indicates that the equipment is suitable for direct current only; to identify relevant terminals               |
|    | IEC 60417 / Graphical symbols for use on equipment | 5032 / Alternating Current            | Indicates that the equipment is suitable for alternating current only; to identify relevant terminals          |
|   | IEC 60417 / Graphical symbols for use on equipment | 5130 / Pulse General                  | To identify the control by which a pulse is started.   |
|  | IEC 60417 / Graphical symbols for use on equipment | 5017 / Earth, Ground                  | To identify an earth (ground) terminal in cases where neither the symbol 5018 nor 5019 is explicitly required. |
|  | IEC 60417 / Graphical symbols for use on equipment | 5115 / Signal lamp                    | To identify the switch by means of which the signal lamp(s) is (are) switched on or off.                       |
|  | 2004/108/EC / Electromagnetic Compatibility        | CE Marking                            | CE marking indicates that a product complies with applicable European Union regulations                        |
|  | ISO 7000/ Graphical symbols for use on equipment   | 0434B / Warning symbol                | Indicates a potentially hazardous situation which, if not avoided, could result in death or serious injury     |
|  | ISO 7000/ Graphical symbols for use on equipment   | 5036 / Dangerous Voltage              | To indicate hazards arising from dangerous voltages  |

## 3 Precautions

Read this manual before attempting to use any of the M-Duino LoRa PLC Family and follow its descriptions for reference during operation.

### 3.1 Arduino Board

The M-Duino LoRa Family PLCs include Arduino Mega Board as controller.

### 3.2 Intended Audience

This manual is intended for technicians, which must have knowledge on electrical systems.

### 3.3 General Precautions

The user must operate an M-Duino according to the performance specifications described in this manual. Before using M-Duino under different conditions from what has been specified in this manual or integrating M-Duino to nuclear control systems, railroad systems, aviation systems, vehicles, combustion systems, medical equipment, amusement machines, safety equipment and other systems, machines, and equipment that may have a serious influence on lives and property if used improperly, consult your INDUSTRIAL SHIELDS representative. Ensure that the rating and performance characteristics of M-Duino are sufficient for the systems, machines, and equipment, and be sure to provide the systems, machines, and equipment double safety mechanisms. This manual provides information for programming and operating the M-Duino.

### 3.4 Isolation Precautions

#### Description:

This equipment does **not include galvanic isolation between the grounds** of the different systems. This means that if an external device or sensor that shares the same ground reference (GND) with the system is connected, any potential difference between these grounds could damage the connected components. To avoid issues with interference, ground loops, or damage to external equipment, ensure that all connected devices share the same ground reference or use systems with appropriate isolation.

#### Recommendations:

- **Connection Review:** Verify that all ground connections are properly made and that there are no significant potential differences between them.
- **Use of Isolation:** Consider using galvanic isolators or isolation transformers if it is necessary to connect equipment with different ground references.

## 4 M-Duino Pinout

| Model  | Reference    | IOs Table                  |                        |                         |                       |              |                                    |
|--------|--------------|----------------------------|------------------------|-------------------------|-----------------------|--------------|------------------------------------|
|        |              | Analog Input* <sup>1</sup> | Digital Isolated Input | Digital Isolated Output | Digital/Analog Output | Relay Output | PWM Isolated Outputs* <sup>2</sup> |
| 19R+   | 015001000100 | 4                          | 1                      | 0                       | 3                     | 8            | 3                                  |
| 21+    | 015001000200 | 6                          | 6                      | 5                       | 3                     | 0            | 3                                  |
| 38AR+  | 015001000300 | 10                         | 7                      | 5                       | 6                     | 8            | 6                                  |
| 38R+   | 015001000300 | 8                          | 3                      | 0                       | 6                     | 16           | 6                                  |
| 42+    | 015001000400 | 12                         | 13                     | 10                      | 6                     | 0            | 6                                  |
| 50RRA+ | 015001000900 | 12                         | 9                      | 4                       | 6                     | 16           | 6                                  |
| 53ARR+ | 015001001000 | 14                         | 10                     | 5                       | 6                     | 15           | 6                                  |
| 54ARA+ | 015001001100 | 14                         | 14                     | 9                       | 6                     | 8            | 6                                  |
| 57AAR+ | 015001000800 | 16                         | 15                     | 10                      | 6                     | 7            | 6                                  |
| 57R+   | 015001000500 | 12                         | 5                      | 0                       | 6                     | 23           | 6                                  |
| 58+    | 015001000600 | 16                         | 19                     | 14                      | 6                     | 0            | 6                                  |

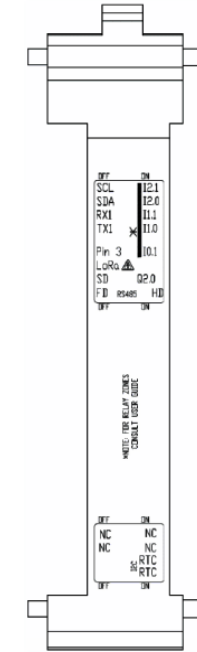
\*<sup>1</sup> The analog inputs can also be used as digital inputs.

\*<sup>2</sup> The PWM isolated outputs can also be used as digital isolated outputs. The associated PWM and analog outputs cannot be used at the same time (check [switch configuration](#)).

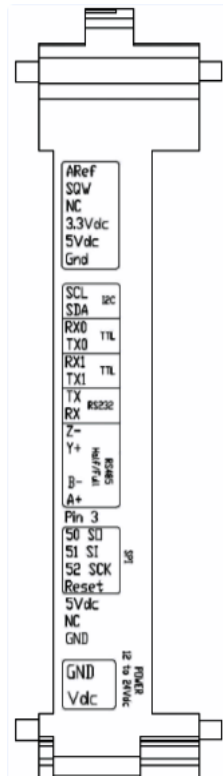
## 5 Serigraphy

### 5.1 A Zone connection (Communications)

| Base              |             |             |
|-------------------|-------------|-------------|
| A Zone            |             |             |
| M-Duino Connector | Arduino Pin | Function    |
| AREF              | AREF        | Arduino Pin |
| SQW               | SQW         | Arduino Pin |
| -                 | -           | -           |
| 3.3Vdc            | 3.3Vdc      | Arduino Pin |
| 5Vdc              | 5Vdc        | -           |
| GND               | GND         | GND         |



| Base              |             |               |
|-------------------|-------------|---------------|
| A Zone            |             |               |
| M-Duino Connector | Arduino Pin | Function      |
| SCL               | 21          | I2C/SS        |
| SDA               | 20          | I2C/SS        |
| RX0               | 0           | RX0/SS        |
| TX0               | 1           | TX0/SS        |
| RX1               | 19          | RX1(serial 1) |
| TX1               | 18          | TX1(serial 1) |
| TX                | 16          | RX2(serial 2) |
| RX                | 17          | TX2(serial 2) |
| Z-                | -           | RS485         |
| Y+                | -           | RS485         |
| B-                | -           | RS485         |
| A+                | -           | RS485         |
| PIN3              | 3           | Arduino Pin   |
| 50 SO             | 50          | SPI           |
| 51 SI             | 51          | SPI           |
| 52 SCK            | 52          | SPI           |
| Reset             | Reset       | SPI           |
| Vin5              | Vin5        | 5V            |
| -                 | -           | -             |
| GND               | -           | Gnd           |
| GND               | -           | Gnd           |
| 24Vdc             | -           | Power Supply  |

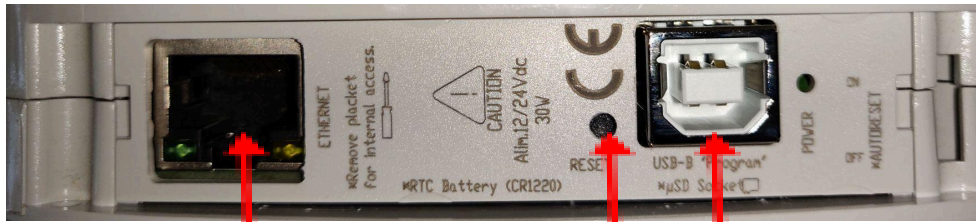


Configuration Switch\* (see section 8 to select the correct configuration for outputs. Enabling communications disables some I/Os).

Communication Pins

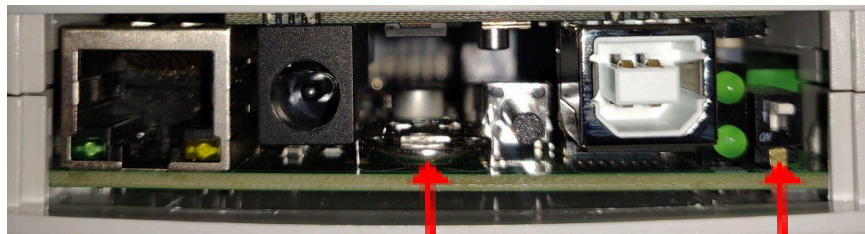
Power supply connectors (24Vdc - GND)

SS: Chip Select pins. These pins can act as TTL, so they can work for the Chip Select pin of any device.



Ethernet

Reset USB-B



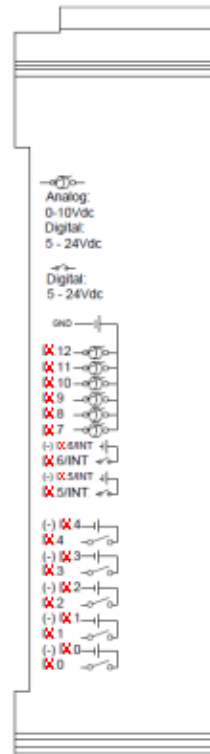
RTC

Programmable button

## 5.2 Analog/Digital Zone connection (I/Os)

| <b>X Zone</b>               |                    |
|-----------------------------|--------------------|
| M-Duino Connector           | Function           |
| <b>IX.12</b>                | Analog/Digital In* |
| <b>IX.11</b>                | Analog/Digital In* |
| <b>IX.10</b>                | Analog/Digital In  |
| <b>IX.9</b>                 | Analog/Digital In  |
| <b>IX.8</b>                 | Analog/Digital In  |
| <b>IX.7</b>                 | Analog/Digital In  |
| <b>(-)IX.6</b>              | GND IX.6           |
| <b>IX.6/INT<sup>2</sup></b> | Interrupt X In     |
| <b>(-)IX.5</b>              | GND IX.5           |
| <b>IX.5/INT<sup>3</sup></b> | Interrupt X In     |
| <b>(-)IX.4</b>              | GND IX.4*          |
| <b>IX.4</b>                 | Digital Input*     |
| <b>(-)IX.3</b>              | GND IX.3           |
| <b>IX.3</b>                 | Digital Input      |
| <b>(-)IX.2</b>              | GND IX.2           |
| <b>IX.2</b>                 | Digital Input      |
| <b>(-)IX.1</b>              | GND IX.1           |
| <b>IX.1</b>                 | Digital Input      |
| <b>(-)IX.0</b>              | GND IX.0           |
| <b>IX.0</b>                 | Digital Input      |

\*Connectors IX.12, IX.11 and IX.4 are not connected (NC) in D Zone



Analog/Digital Inputs

Interrupt Inputs (isolated)

Digital Inputs (isolated)

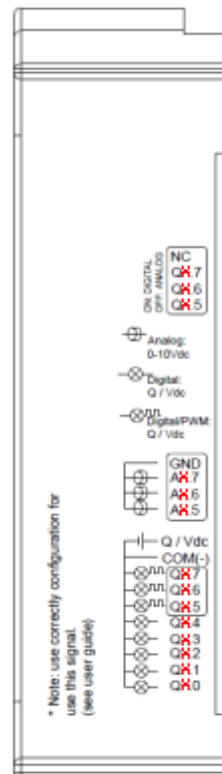
### Top Zone



Led indicator I/Os state

| <b>X Zone</b>     |                           |
|-------------------|---------------------------|
| M-Duino Connector | Function                  |
| <b>GND</b>        | GND                       |
| <b>AX.7</b>       | Analog Out*               |
| <b>AX.6</b>       | Analog Out*               |
| <b>AX.5</b>       | Analog Out*               |
| <b>QVdc</b>       | External Isolated Out Vdc |
| <b>COM(-)</b>     | External Isolated Out GND |
| <b>QX.7</b>       | Digital/PWM Out*          |
| <b>QX.6</b>       | Digital/PWM Out*          |
| <b>QX.5</b>       | Digital/PWM Out*          |
| <b>QX.4</b>       | Digital Out*              |
| <b>QX.3</b>       | Digital Out               |
| <b>QX.2</b>       | Digital Out               |
| <b>QX.1</b>       | Digital Out               |
| <b>QX.0</b>       | Digital Out               |

\*Connectors AX.7, AX.6, AX.5, QX.7, QX.6, QX.5 and QX.4 are not



Configuration Switch\*

(see section 8 to select the correct configuration for outputs).

Analog Outputs

Voltage Supply/Reference for

Digital/PWM Outputs (isolated)

Digital Outputs

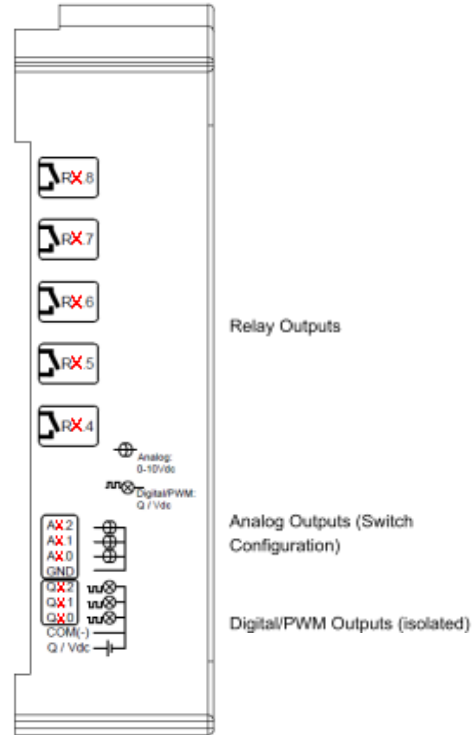
connected (NC) in D Zone.

<sup>2</sup> See [section 5.4](#) to know more about interrupt pins.

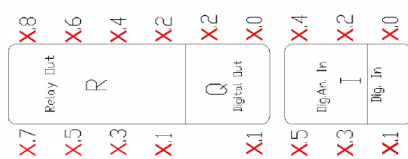
### 5.3 Relay Zone connection (I/Os)

| X Zone            |                           |
|-------------------|---------------------------|
| M-Duino Connector | Function                  |
| <b>RX.8</b>       | Relay Out                 |
| <b>RX.7</b>       | Relay Out                 |
| <b>RX.6</b>       | Relay Out                 |
| <b>RX.5</b>       | Relay Out*                |
| <b>RX.4</b>       | Relay Out                 |
| <b>AX.2</b>       | Analog Out*               |
| <b>AX.1</b>       | Analog Out*               |
| <b>AX.0</b>       | Analog Out*               |
| <b>GND</b>        | GND*                      |
| <b>QX.2</b>       | Digital/PWM Out*          |
| <b>QX.1</b>       | Digital/PWM Out*          |
| <b>QX.0</b>       | Digital/PWM Out*          |
| <b>COM(-)</b>     | External Isolated Out Gnd |
| <b>QVdc</b>       | External Isolated Out Vdc |

\*Connectors RX.5, AX.2, AX.1, AX.0, GND, QX.2, QX.1, QX.0 and are not connected (NC) in D Zone.

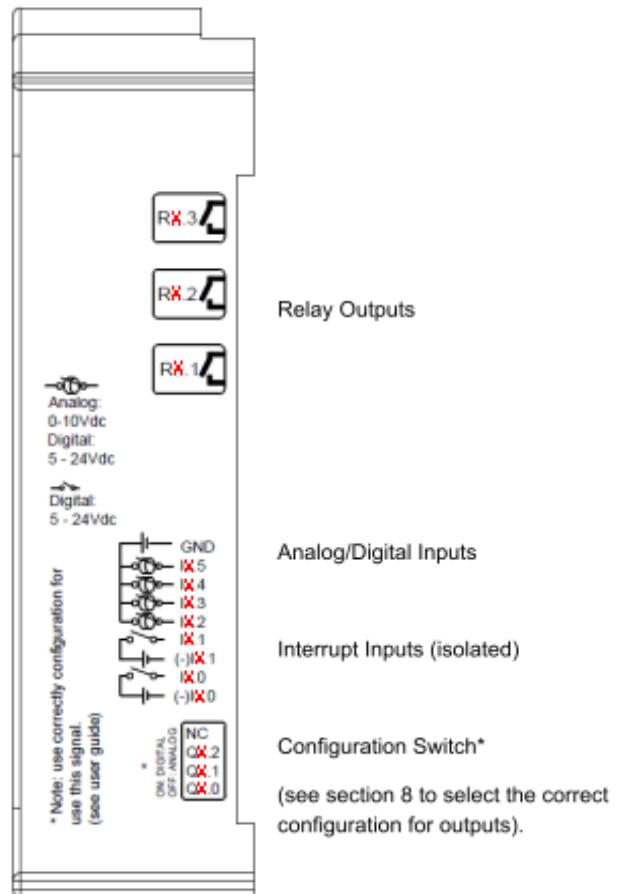


#### Top Zone



#### Led indicator I/Os state

| X Zone                      |                      |
|-----------------------------|----------------------|
| M-Duino Connector           | Function             |
| <b>RX.3</b>                 | Relay Out            |
| <b>RX.2</b>                 | Relay Out            |
| <b>RX.1</b>                 | Relay Out            |
| <b>GND</b>                  | GND                  |
| <b>IX.5</b>                 | Analog/Digital Input |
| <b>IX.4</b>                 | Analog/Digital Input |
| <b>IX.3</b>                 | Analog/Digital Input |
| <b>IX.2</b>                 | Analog/Digital Input |
| <b>IX.1/INT<sup>3</sup></b> | Interrupt X In       |
| <b>(-)IX.1</b>              | GND IX.1             |
| <b>IX.0/INT<sup>4</sup></b> | Interrupt X In       |
| <b>(-)IX.0</b>              | GND IX.0             |



<sup>3</sup> See [section 5.4](#) to know more about interrupt pins.



## 5.4 Interrupt equivalence table

See the [Reference Table](#) in order to know the specific device details.

| Zone | Analog/Digital |               |             | Relay     |               |             |
|------|----------------|---------------|-------------|-----------|---------------|-------------|
|      | PLC Input      | PLC Interrupt | M-Duino Pin | PLC Input | PLC Interrupt | M-Duino Pin |
| B    | 0.6            | INT1          | PIN3        | 0.1       | INT2          | PIN3        |
|      | -              | -             | -           | -         | -             | -           |
| C    | 1.6            | INT4          | PIN19       | 1.1       | INT4          | PIN19       |
|      | 1.5            | INT5          | PIN18       | 1.0       | INT5          | PIN18       |
| D    | 2.5            | INT3          | PIN21       | 2.1       | INT1          | PIN21       |
|      | 2.6            | INT2          | PIN20       | 2.0       | INT0          | PIN20       |

Check this [link](#) for more information.

## 6 Software interface

Industrial Shields PLC are programmed using Arduino IDE, which is a software based on the C language. They can also be programmed directly using C, but it is much easier working with Arduino IDE, as it provides lots of useful libraries.

Industrial Shields provide a boards package for programming the PLCs, making it easier and friendlier. It includes various facilities such as not having to define the pins, etc.

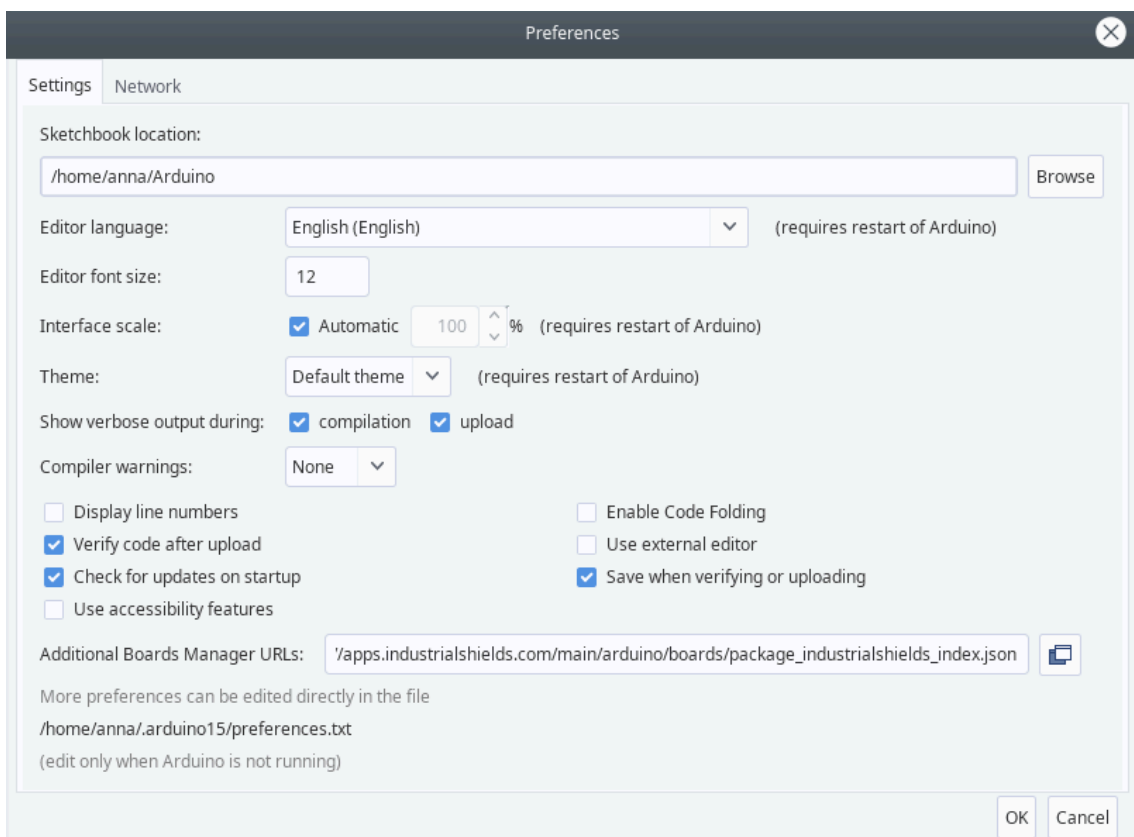
In order to install Industrial Shields boards, these are the steps that must be followed.

### Requirements:

Arduino IDE 1.8.15 or above (recommended: 1.8.19).

### Steps:

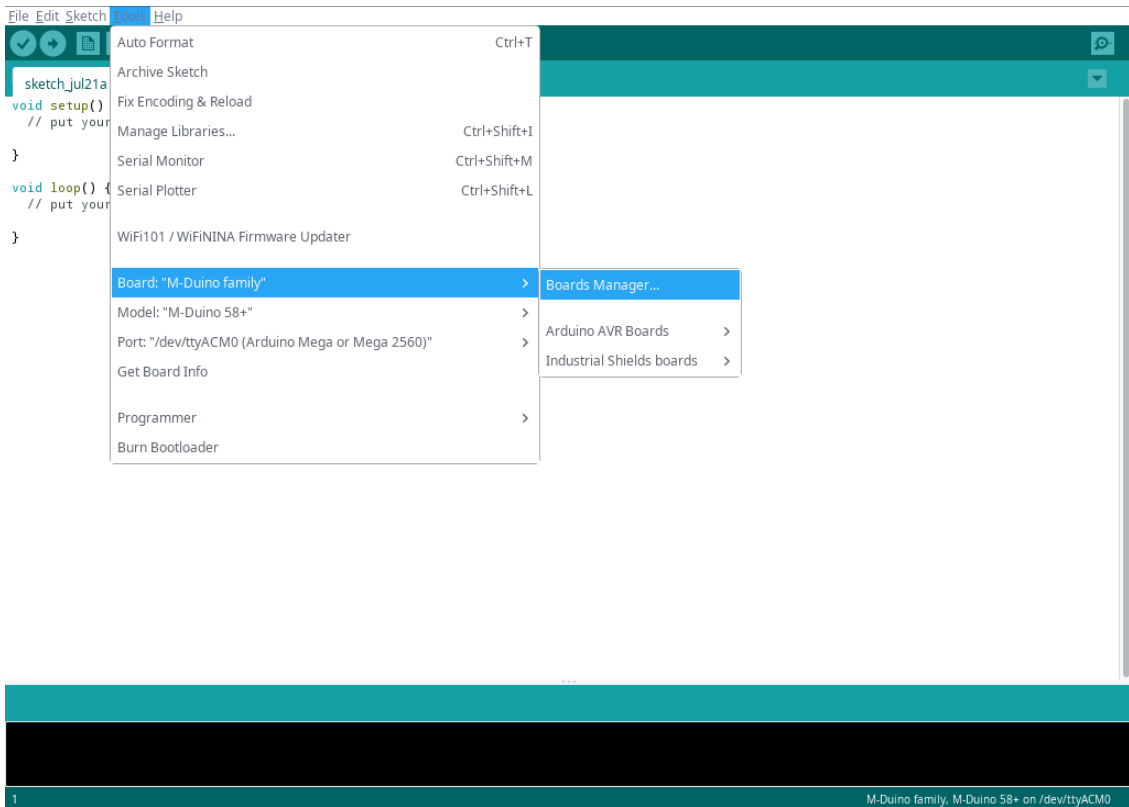
1. Open Arduino IDE and go to: "File -> Preferences" located in the top left corner.



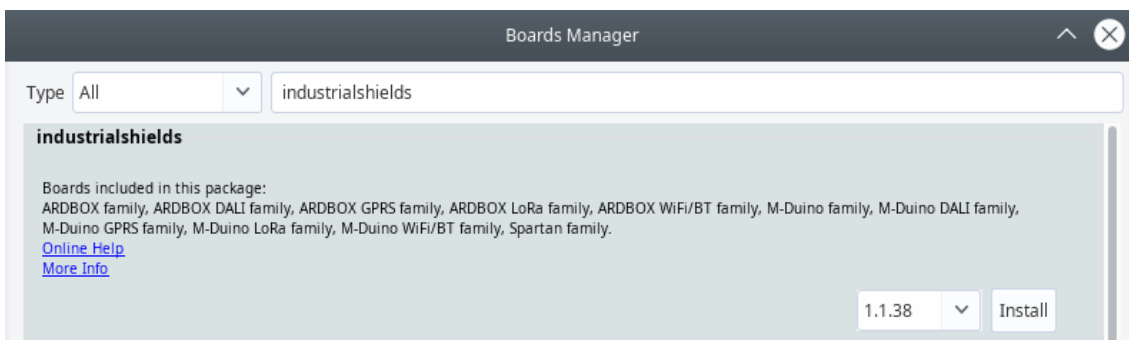
- In Additional Boards Manager URLs write the following:

[http://apps.industrialshields.com/main/arduino/boards/package\\_industrialshields\\_index.json](http://apps.industrialshields.com/main/arduino/boards/package_industrialshields_index.json)

- Press OK to save the changes.
- Go to: Tools -> Board: ... -> Boards Manager

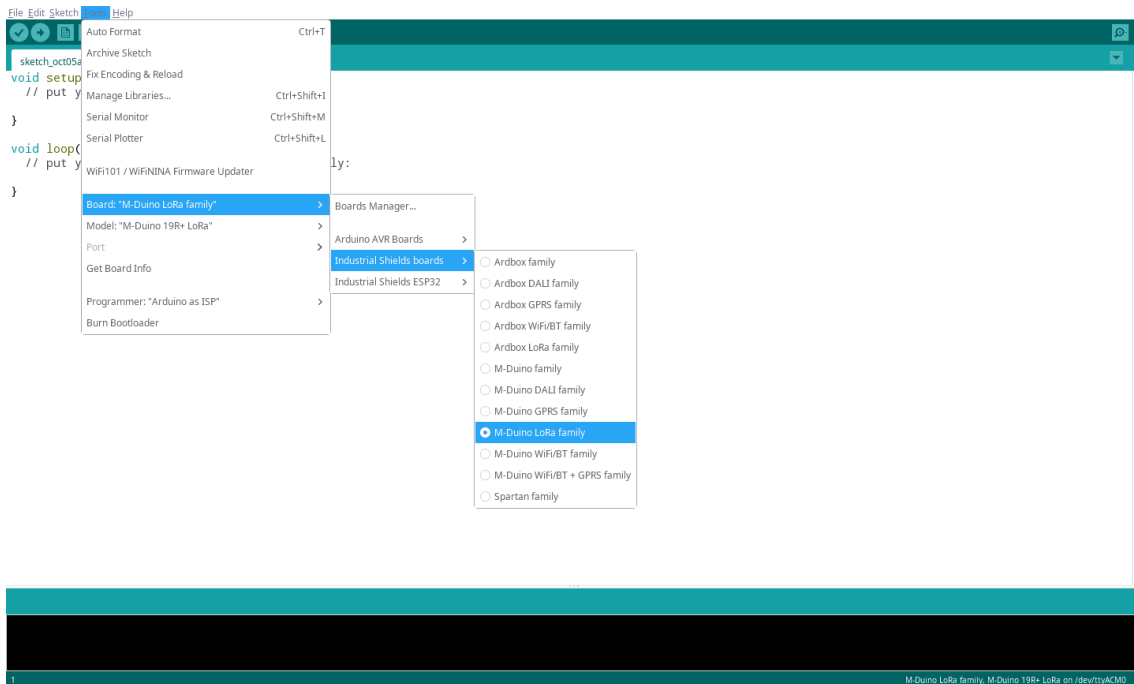


- Search for "industrialshields" on the browser.



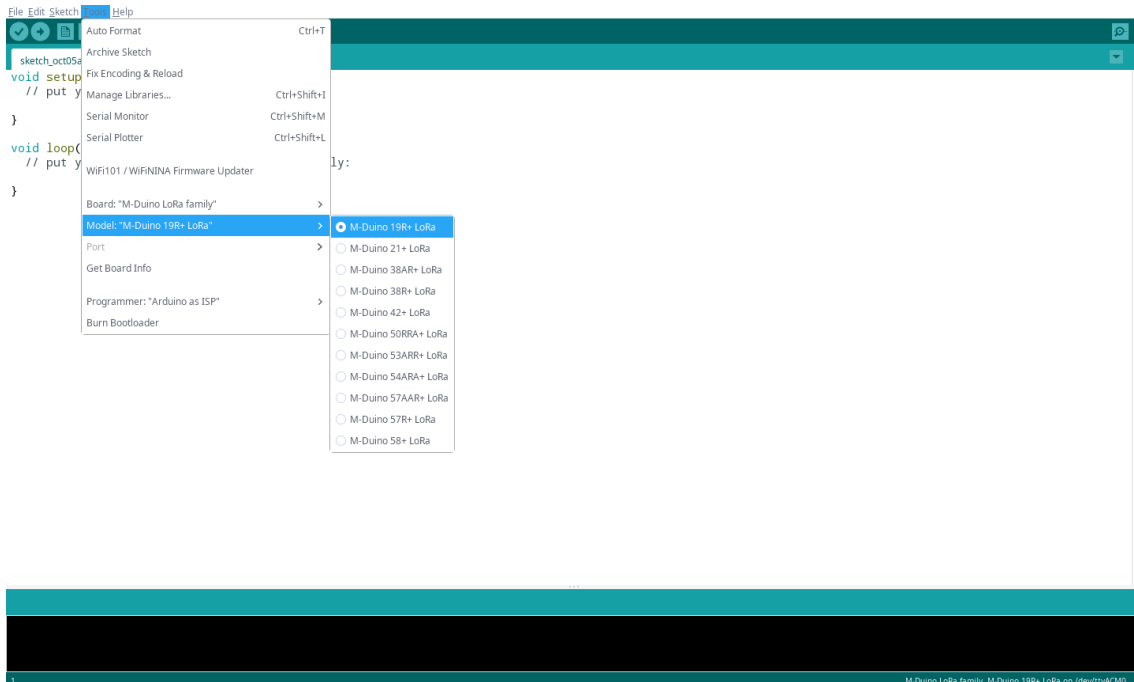
6. Click install (selecting the latest version).

Following these steps you will be able to see now the Industrial Shields Boards:



Once it is selected M-Duino LoRa Family, an extra option will appear on Tools:

There, it can select the exact model for every family.



Also there are some examples of programming in File -> Examples -> Examples for M-Duino LoRa family.

Furthermore there are some extra libraries that can be found in Industrial Shields github.

<https://github.com/Industrial-Shields/>

## 7 How to connect PLC Arduino to PC

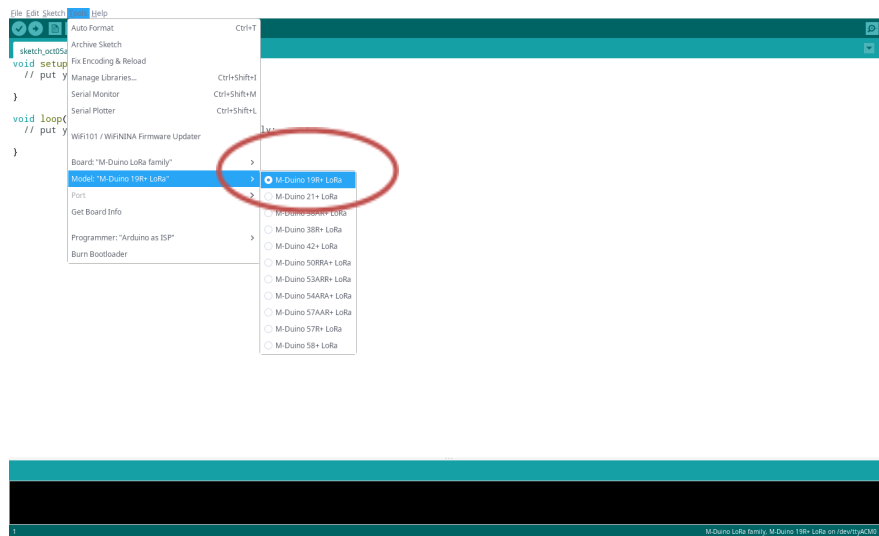
- Connect USB port from PLC to PC.

**NOTE:**

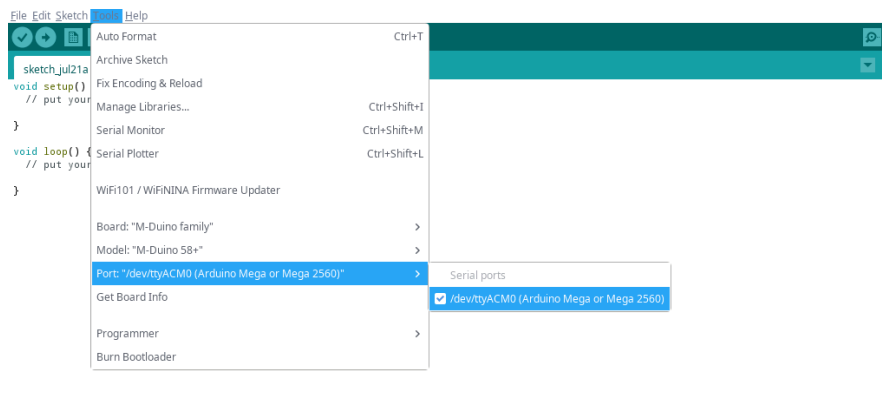
M-Duino LoRa Family uses B-USB cable.



- Open Arduino IDE interface:
- Select Industrial Shields boards -> M-Duino LoRa Family
- Select the correct M-Duino Board (M-Duino 19R+ LoRa in our example).

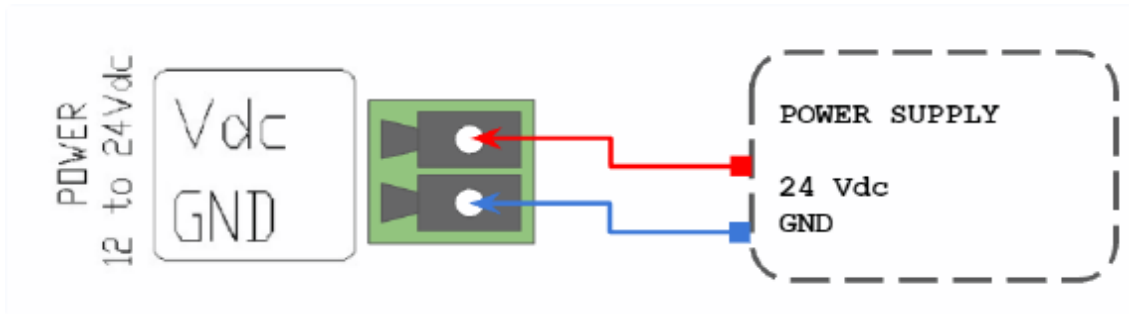


- Select the correct port.



## 8 How to connect PLC to power supply

- M-Duino LoRa Family PLCs are 12-24Vdc supplied. **IMPORTANT: The polarity IS NOT REVERSIBLE!**
- Make sure that the live and GND connector of the power supply match the PLC.
- Make sure that the power supply mains output is not higher than 24Vdc.



- Suggested power suppliers

Compact DIN rail power supply. Assembled on 35mm DIN Rail:

-12Vdc / 24Vdc

-2.5A

-30W

Industrial Shields power supplies provide parallel operation, overvoltage protection, and overcurrent protection. There is a LED indicator for power status, the power supply is certified according to UL.



The standard, Part 1 of IEC 61010, sets the general safety requirements for the following types of electrical devices and their accessories, regardless of where use of the device is intended.

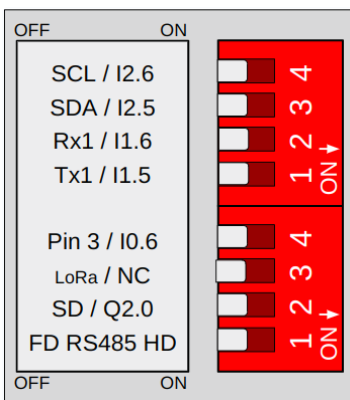
The equipment must be powered from an external power source in accordance with IEC 61010-1, whose output is MBTS and is limited in power according to section 9.4 of IEC 61010-1.

**WARNING:** Once the equipment is installed inside an electrical cabinet, the MTBS cables of the equipment must be separated from the dangerous voltage cables.

## 9 Switch configuration

### 9.1 A Zone: Communications

| A Zone     |       |    |
|------------|-------|----|
| Switch     | OFF   | ON |
| SCL   XX   | SCL   | XX |
| SDA   XX   | SDA   | XX |
| RX1   XX   | RX1   | XX |
| TX1   XX   | TX1   | XX |
| Pin 3   XX | Pin 3 | XX |
| LoRa   NC  | LoRa  | NC |
| SD   XX    | SD    | XX |
| FD   HD    | FD    | HD |



This is an D Zone Switch example from M-Duino 58+ LoRa. In this case, SCL, SDA, Pin 3, LoRa, SD and FD are enabled. This means I2.6, I2.5, I1.6, I1.5, I0.6, Q2.0 and HD are disabled.

**4. SCL | XX:** Choosing between SCL or the input XX. If the switch is ON, it enables XX and disables SCL. If the switch is OFF, it enables SCL and disables XX. The serigraphy in the PLC will indicate which input is referred to XX.

**3. SDA | XX:** Choosing between SDA or the input XX. If the switch is ON, it enables XX and disables SDA. If the switch is OFF, it enables SDA and disables XX. The serigraphy in the PLC will indicate which input is referred to XX.

**2. RX1 | XX:** Choosing between RX1 or the input XX. If the switch is ON, it enables XX and disables RX1. If the switch is OFF, it enables RX1 and disables XX. The serigraphy in the PLC will indicate which input is referred to XX.

**1. TX1 | XX:** Choosing between TX1 or the input XX. If the switch is ON, it enables XX and disables TX1. If the switch is OFF, it enables TX1 and disables XX. The serigraphy in the PLC will indicate which input is referred to XX.

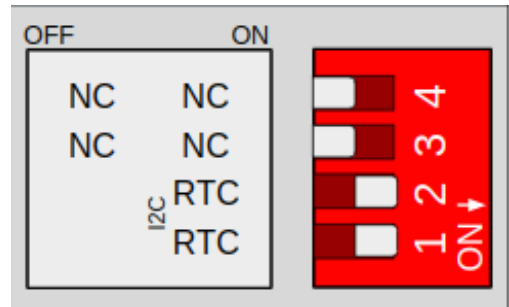
**4. Pin 3 | XX:** Choosing between Pin 3 or the input XX. If the switch is ON, it enables XX and disables Pin 3. If the switch is OFF, it enables Pin 3 and disables XX. The serigraphy in the PLC will indicate which input is referred to XX.

**3. LoRa | NC:** Choosing between LoRa communication or NC. If the switch is ON, it disables LoRa. If the switch is OFF, it enables LoRa.

**2. SD | XX:** Choosing between SD or the input XX. If the switch is ON, it enables XX and disables SD. If the switch is OFF, it enables SD and disables XX. The serigraphy in the PLC will indicate which input is referred to XX.

**1. FD | HD:** Choosing between FD or HD. If the switch is ON, it enables HD and disables FD. If the switch is OFF, it enables FD and disables HD. Note: HD stands for Half Duplex and FD means Full Duplex. Check [section 11.2](#) for more information.

| A Zone   |     |     |
|----------|-----|-----|
| Switch   | OFF | ON  |
| NC       | -   | -   |
| NC       | -   | -   |
| NC   RTC | -   | RTC |
| NC   RTC | -   | RTC |



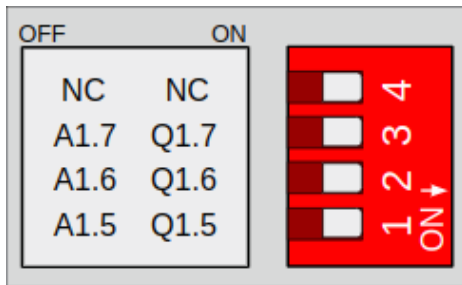
This switch enables the communication with RTC using I2C. Having both switches in ON mode activates the communication, whereas if they are in OFF mode I2C is disabled to reach the RTC.



## 9.2 Digital/Analogic Shield Switches

| Digital/ Analogic Shield Switch |      |      |
|---------------------------------|------|------|
| Switch                          | OFF  | ON   |
| NC                              | -    | -    |
| AX.7   QX.7                     | AX.7 | QX.7 |
| AX.6   QX.6                     | AX.6 | QX.6 |
| AX.5   QX.5                     | AX.5 | QX.5 |

\*X can change depending on which zone we are in. Check the serigraphy in the PLC to know what number takes X.



We can see here an example switch from the C Zone (Notice that X takes value 1 here).

For the Analog Shield if a switch is set to ON, it can only act as Digital Output. If it is set to OFF it can only act as an Analog Output.

If it is desired to use a Digital Output the switch must be set to ON and the pin that will provide this digital output is represented with QX.X, being X any number of the table above.

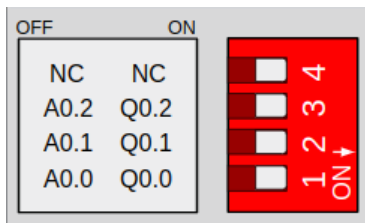
If it is desired to use an Analog Output the switch must be set to OFF and the pin that will provide this digital output is represented with AX.X, being X any number of the table above.

**\*IMPORTANT:** In D Zone, no connectors are connected (NC).

### 9.3 Relay Shield Switches

| Relay Shield Switch |      |      |
|---------------------|------|------|
| Switch              | OFF  | ON   |
| NC                  | -    | -    |
| AX.2   QX.2         | AX.2 | QX.2 |
| AX.1   QX.1         | AX.1 | QX.1 |
| AX.0   QX.0         | AX.0 | QX.0 |

\*X can change depending on which zone we are in. Check the serigraphy in the PLC to know what number takes X.



We can see here an example switch from the B Zone (Notice that X takes value 0 here).

For the Relay Shield if a switch is set to ON, it can only act as Digital Output. If it is set to OFF it can only act as an Analog Output.

If it is desired to use a Digital Output the switch must be set to ON and the pin that will provide this digital output is represented with QX.X, being X any number of the tables above.

If it is desired to use an Analog Output the switch must be set to OFF and the pin that will provide this digital output is represented with AX.X, being X any number of the tables above.

**\*IMPORTANT:** In D Zone, no connectors are connected (NC).

## 10 M-Duino Arduino I/Os 5V pins

The M-Duino has some of the Mega board pins available. These pins can be programmed according to Arduino features such as I/Os operating at 5V or any additional features present in the pins (for example I2C communication in pins SCL and SDA). As these pins are directly connected to the Arduino Mega board they are not as well protected as the normal inputs. These pins are mainly meant to be used as prototyping.

The Arduino board available pins are summarised in the table below. In order to access some of these pins the configuration switch must be set to OFF position (see [section 9](#)) and some extra considerations must be taken in consideration when using these pins.

| M-Duino terminal | Arduino pin | Enable Arduino pin        |
|------------------|-------------|---------------------------|
| SCL              | 21          | Communication switch: OFF |
| SDA              | 20          | Communication switch OFF  |
| RX0              | 0           |                           |
| TX0              | 1           |                           |
| RX1              | 19          | Communication switch: OFF |
| TX1              | 18          | Communication switch: OFF |
| RX               | 17          |                           |
| TX               | 16          |                           |
| MISO             | 50          |                           |
| MOSI             | 51          |                           |
| SCK              | 52          |                           |
| Pin 3            | 3           | Communication switch: OFF |



**\*IMPORTANT:** Do not connect the terminals in the chart above to voltages higher than 5V. These terminals provide direct access to the Mega board.

Apart from the switch configuration there are some special conditions depending on these 5V. Now it is going to be shown the considerations to operate with these pins.

### 10.1 I2C pins – SDA/SCL

The I2C protocol is meant to work in a pull-up configuration. A pull-up configuration means that when the pin is at rest (nothing connected to it) it always reads a HIGH value. In this case it reads 5V when nothing is connected. The pull-up configuration is established by default in these pins.

If it is meant to use them as an internal arduino direct PIN at 5V, it has to be considered that they are pull-up inputs (2200Ω resistor is used in the internal pull-up).

## 10.2 Serial 0 – RX0/TX0

The Serial0 protocol can work also as a 5V pin. These pins should be used ultimately, only in case that all the 5V pins are already performing a function. This is because they are shared with the USB interface. If using these pins, the USB communication cannot be working at the same time.

When the PLC is not installed, the USB communication is normally required for debugging, uploading and intercommunicating with the Ethernet controller. If using both interfaces at the same time the Arduino board will get blocked.

These pins are not established with a pull-up or a pull-down configuration. The state of these pins is unknown. If these pins must be used, they require a pull-up or a pull-down configuration. The Arduino board allows the pins to be set in a pull-up configuration. If not, they must be configured as an external pull-up or pull-down circuit in order to correctly work.

## 10.3 Serial 1 – RX1/TX1

To know how to configure these pins correctly, check [section 9](#). If not using the Serial 1 interface these pins can work as digital, either input or output.

These pins are not established with a pull-up or a pull-down configuration. The state of these pins is unknown. If these pins must be used, they require a pull-up or a pull-down configuration. The Arduino board allows the pins to be set in a pull-up configuration. If not, they must be configured as an external pull-up or pull-down circuit in order to correctly work.

## 10.4 SPI – MISO/MOSI/SCK

These pins can only work as 5V pins if the Ethernet protocol is not going to be used. As the Ethernet protocol uses the SPI to communicate with the Arduino board, both behaviours cannot happen at the same time as the Ethernet would not work.

These pins are not established with a pull-up or a pull-down configuration. The state of these pins is unknown. If these pins must be used, they require a pull-up or a pull-down configuration. The Arduino board allows the pins to be set in a pull-up configuration. If not, they must be configured as an external pull-up or pull-down circuit in order to correctly work.

## 10.5 Pin 3

To know how to configure this pin correctly, check [section 9](#).

This pin is not established with a pull-up or a pull-down configuration. The state of the pin is unknown. If the pin must be used, it requires a pull-up or a pull-down configuration. The Arduino board allows the pin to be set in a pull-up configuration. If not, it must be established as an external pull-up or pull-down circuit in order to correctly work with this pin.

## 11 A Zone Features: Communications & RTC & uSD

### 11.1 RS-232

The Arduino Mega function code to access the RS-232 port in the M-Duino is Serial2 (pins 16 and 17 of the Arduino Mega).

For the RS-232 communication protocol there isn't any switch that affects it. So it does not matter the configuration of the switches to implement a RS-232 communication.

Using the boards of Industrial Shields, there is a library that simplifies the RS-232 implementation.

Click [here](#)<sup>4</sup> or [here](#)<sup>5</sup> to see more about this communication.

### 11.2 RS-485

For RS485 communication protocol the defined Arduino Mega pins are shown in the chart below.

| Function | Arduino Pin |
|----------|-------------|
| DI       | 14          |
| RO       | 15          |
| RE       | 11          |
| DE       | 46          |

For the RS-485 communication protocol there is only one switch that affects this communication. The RS-485 protocol will be always enabled, the only switch that affects is the one called "FD rs-485 HD" (See [Section 9](#)). This switch makes the choice between RS-485 Half Duplex or RS-485 Full Duplex (RS-422).

Using the boards of Industrial Shields, there is a library that simplifies the RS-485 implementation.

Click [here](#)<sup>6</sup> or [here](#)<sup>7</sup> to see more about this communication.

<sup>4</sup> <https://www.industrialshields.com/blog/arduino-industrial-1/post/basics-about-rs232-of-an-industrial-plc-183>

<sup>5</sup> <https://www.industrialshields.com/blog/arduino-industrial-1/post/how-to-use-rs-232-on-industrial-arduino-based-plc-16>

<sup>6</sup> <https://www.industrialshields.com/blog/arduino-industrial-1/post/basics-about-rs-485-of-an-industrial-plc-195>

<sup>7</sup> <https://www.industrialshields.com/blog/arduino-industrial-1/post/how-to-connect-two-industrial-plcs-through-rs-485-213>

## 11.3 I2C

I2C communication **DOES NOT REQUIRE** a pull-up resistor for the M-Duino. The pull-up resistor is already implemented in the PCB.

I2C communication is configured by switches, so the switches must be configured in order to enable the I2C communication (See [section 9](#) for more information).

Industrial Shields does not provide any library to implement the I2C as it can be used with the standard library of Arduino called Wire.

Click [here](#)<sup>8</sup> to see more about this communication.

## 11.4 SPI

The M-Duino pins used for the SPI bus are summarised in the table below. For SPI bus MISO, MOSI and CLOCK pins are common to all the connected devices to the M-Duino, conversely, each of the connected devices will have a single and dedicated SS pin.

| Function | M-Duino connection   | Mega board pin          |
|----------|----------------------|-------------------------|
| MISO     | 50 S0                | 50                      |
| MOSI     | 51 SI                | 51                      |
| CLOCK    | 52 SCK               | 52                      |
| Reset    | Reset                | Reset                   |
| SS       | SCL/SDA/RX0/TX0/Pin3 | 21/20/1/0/19/18/15/14/3 |

Check the switch configuration at [section 9](#) to enable SS pins.

Click [here](#)<sup>9</sup> to see more about this communication.

## 11.5 TTL

M-Duino has one TTL port, RX0/TX0. TTL0 is accessed with the function Serial (pins 0 and 1 of the Arduino Mega). See [section 9](#) for more information.

## 11.6 Ethernet

M-Duino Ethernet port controller is based on w5500 IC, which is the IC compatible with Arduino Ethernet2 Shield libraries. All Ethernet shield Arduino libraries are compatible with the M-Duino. In the M-Duino, W5500 IC communicates to the Mega board via SPI bus (SS Arduino Mega pin 10).

Click [here](#)<sup>10</sup> and [here](#)<sup>11</sup> to see more about this communication.

<sup>8</sup> <https://www.industrialshields.com/blog/arduino-industrial-1/post/i2c-bus-on-plc-arduino-for-industrial-automation-192>

<sup>9</sup> <https://www.industrialshields.com/blog/arduino-industrial-1/post/bus-spi-on-plc-arduino-from-industrial-shields-191>

<sup>10</sup> <https://www.industrialshields.com/blog/arduino-industrial-1/post/modbus-tcp-master-with-industrial-arduino-esp32-plcs-103>

<sup>11</sup> <https://www.industrialshields.com/blog/arduino-industrial-1/post/how-to-use-modbus-tcp-slave-library-with-a-plc-controller-arduino-105>

## 11.7 RTC

M-Duino RTC Module is based on the DS1307 Chip. This chip works with the I2C protocol communication, so it is required to have enabled the I2C protocol. This means 4 switches have to be configured in order to enable the RTC features.

RTC SCL & RTC SDA must be set to ON mode to enable the I2C wires to the RTC. If they are in OFF mode, the Arduino won't communicate with the RTC. Look at [section 11.3](#) for more information.

Using the boards of Industrial Shields, there is a library that simplifies the RTC implementation called RTC.

Click [here](#)<sup>12</sup> to see more about this feature.

## 11.8 uSD

The micro SD uses the SPI communication to interact with the Arduino Mega. The SPI protocol is always enabled, as there are no switches that configure it. However, there is a switch that must be placed to ON mode in order to communicate with the uSD:

SD: If this Switch is OFF, it enables the Chip Select of the microSD socket. If the switch is in ON mode the microSD can't be used. Check [section 9](#) for more information.

The uSD socket is found in the TOP part of the communication Shields, so in the frontal part of the PLC, it is required to open the plastic found in the frontal part and the socket is located under the supply of the Arduino.

Using the boards of Industrial Shields, there is a library that simplifies the uSD implementation called SD. It is the same as the Arduino library, with the only modification of using the pin 53 to select the Chip Select of the uSD chip.

Click [here](#)<sup>13</sup> to see more about this feature.


---

<sup>12</sup> <https://www.industrialshields.com/blog/arduino-industrial-1/post/rtc-test-on-m-duino-plus-version-51>

<sup>13</sup> <https://www.industrialshields.com/blog/arduino-industrial-1/post/basics-with-sd-card-in-an-industrial-plc-167>

 **Verify that the CPU is not actively running a process before inserting the memory card.**

Inserting a memory card will cause the CPU to go to STOP mode, which could affect the operation of an online process or machine. Unexpected operation of a process or machine could result in death or injury to personnel and/or property damage. Before inserting a memory card, always ensure that the CPU is offline and in a safe state.

 **Vérifiez que le processeur n'exécute pas activement un processus avant d'insérer la carte mémoire.**

Si vous insérez une carte mémoire, la CPU passe en mode STOP, ce qui peut affecter le fonctionnement d'un processus ou d'une machine en ligne. Le fonctionnement inattendu d'un processus ou d'une machine peut entraîner la mort ou des blessures corporelles et / ou des dégâts matériels. Avant d'insérer une carte mémoire, assurez-vous toujours que la CPU est hors ligne et en sécurité.



## 12 Examples

### 12.1 What is LoRa and LoRaWAN?

For more information of the LoRa modulation, check this [post](#)<sup>14</sup>. In it you will find everything you need to know about this communication.

To learn about the LoRaWAN protocol look at this other [link](#)<sup>15</sup>. A deep description and explanation about the protocol is done in this blog

### 12.2 How to work with LoRaWAN and a PLC controller

If interested on working with LoRaWAN and a PLC controller this [post](#)<sup>16</sup> may be helpful. In addition, two examples are provided using the authentication methods OTAA or ABP. With them, you will be able to communicate between the PLC and The Things Network.

---

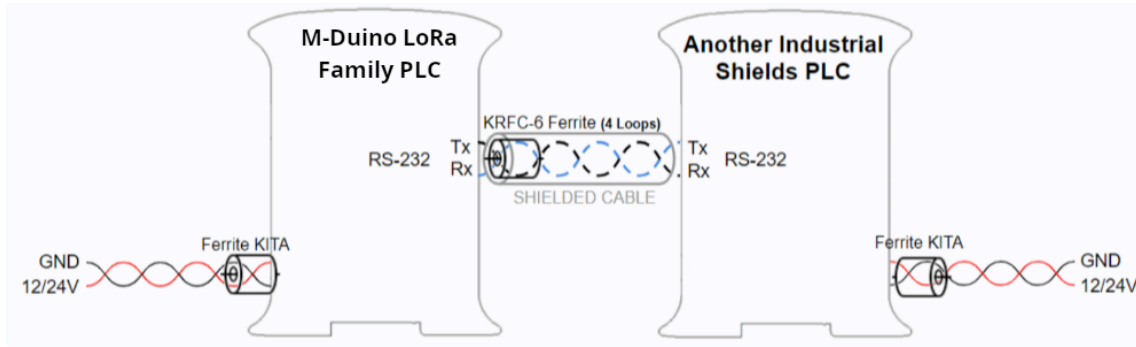
<sup>14</sup> <https://www.industrialshields.com/blog/arduino-industrial-1/post/what-is-lora-254>

<sup>15</sup> <https://www.industrialshields.com/blog/arduino-industrial-1/post/what-is-lorawan-253>

<sup>16</sup>

<https://www.industrialshields.com/blog/arduino-industrial-1/post/how-to-work-with-lorawan-and-a-plc-controller-255>

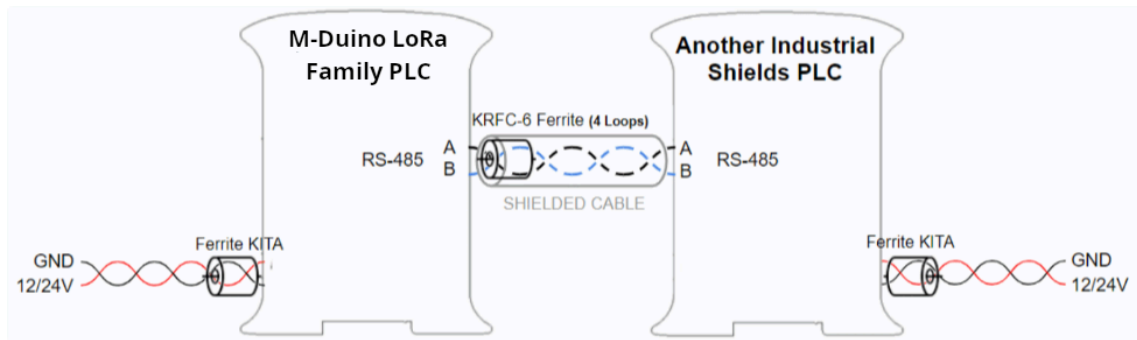
## 13 Instructions for interconnection between Industrial Shields controllers



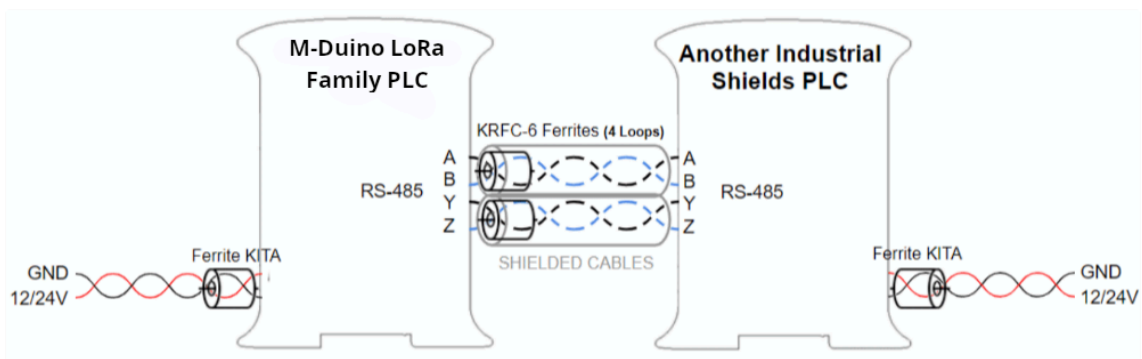
### 13.1 RS-232 Communication:

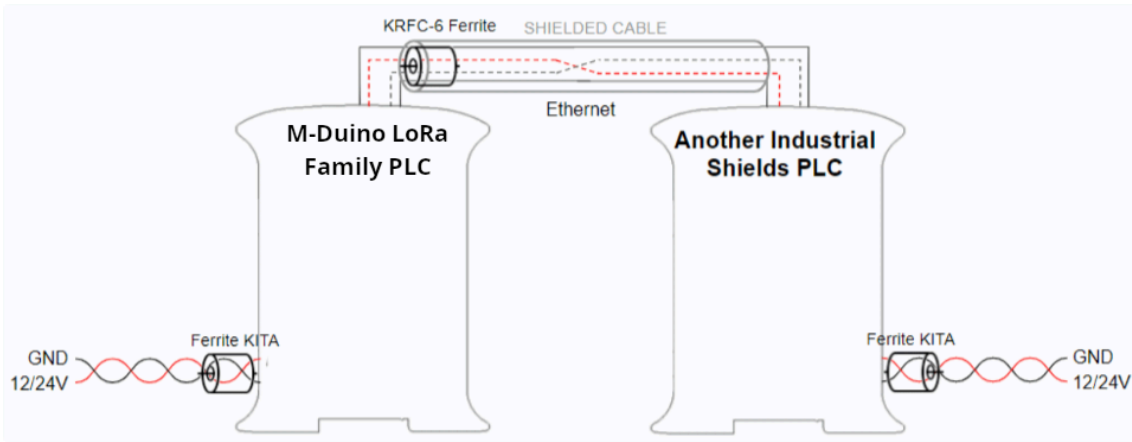
### 13.2 RS-485 Communication:

#### 13.2.1 Half Duplex



#### 13.2.2 Full Duplex





### 13.3 Ethernet

For Ethernet communication between Industrial Shields equipment a **SFTP CAT-6 Ethernet crossover cable** must be used.

## 14 Digital inputs threshold detection

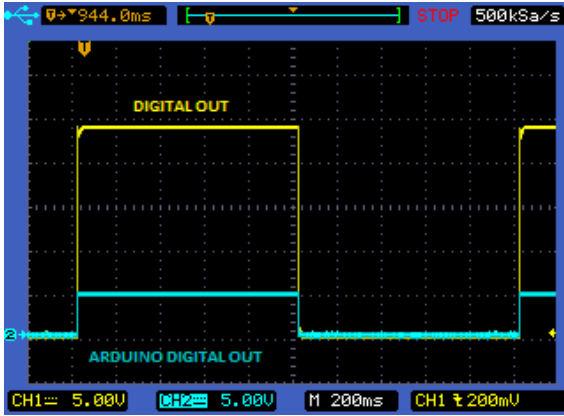
The M-Duino inputs have a minimum voltage threshold to reliably detect the signal when used as digital input. The threshold value is different depending on the input type:

| Input type    | Threshold voltage (V) |
|---------------|-----------------------|
| Digital input | 4                     |
| Analog input  | 5.1                   |

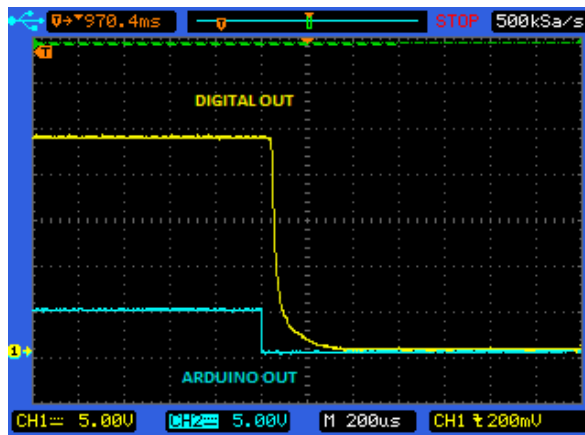
## 15 I/O technical details:

A comparison between the waveforms of the I/Os from the M-Duino LoRa Family PLC and the Arduino Mega is done in this section.

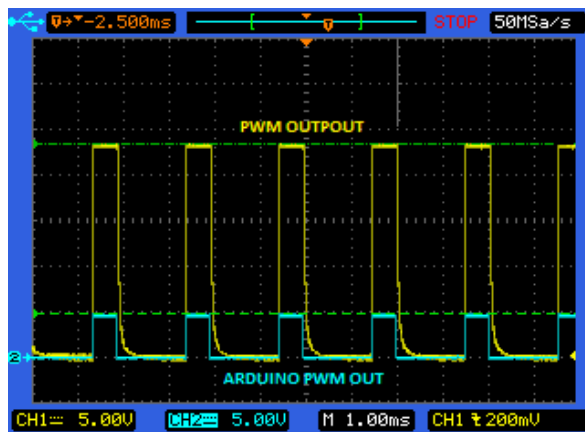
Digital Output Waveform:



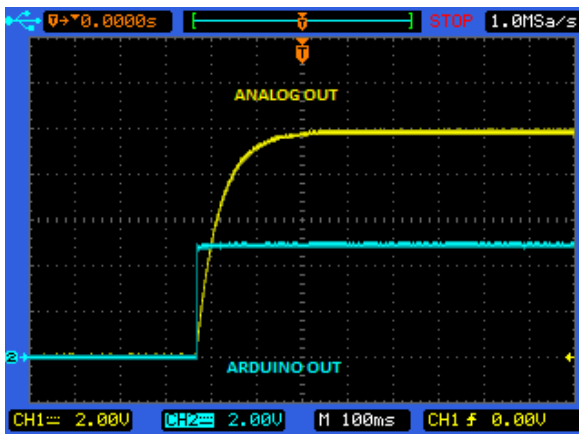
Digital Output Turn-off:



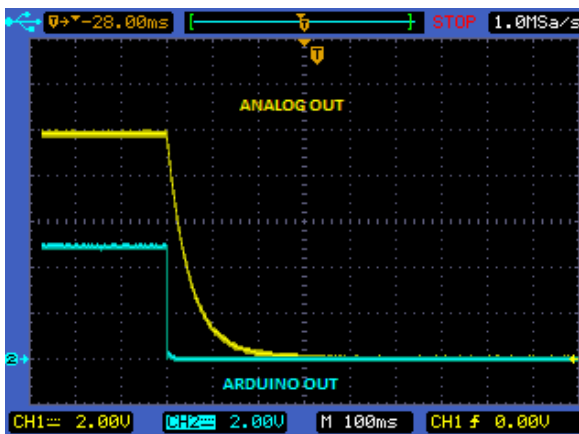
PWM Waveform:



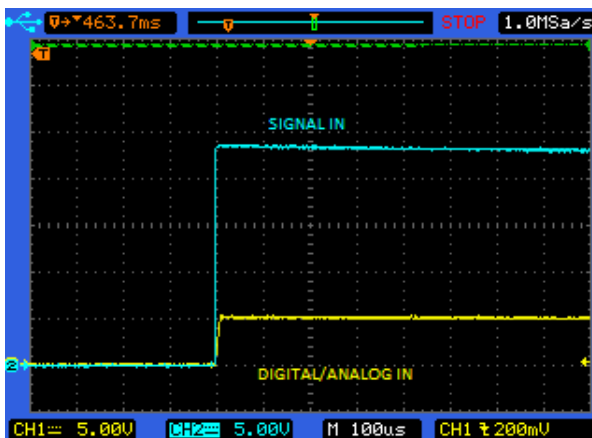
Analog Out Turn-On:



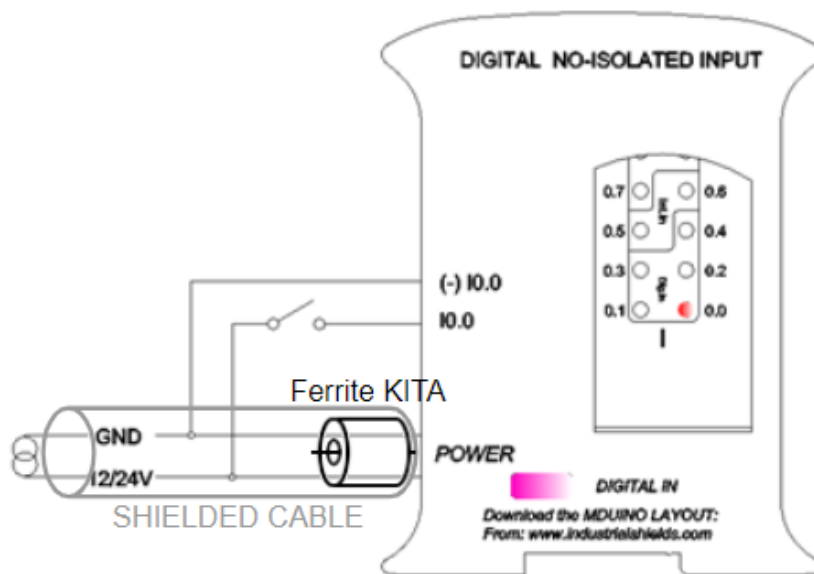
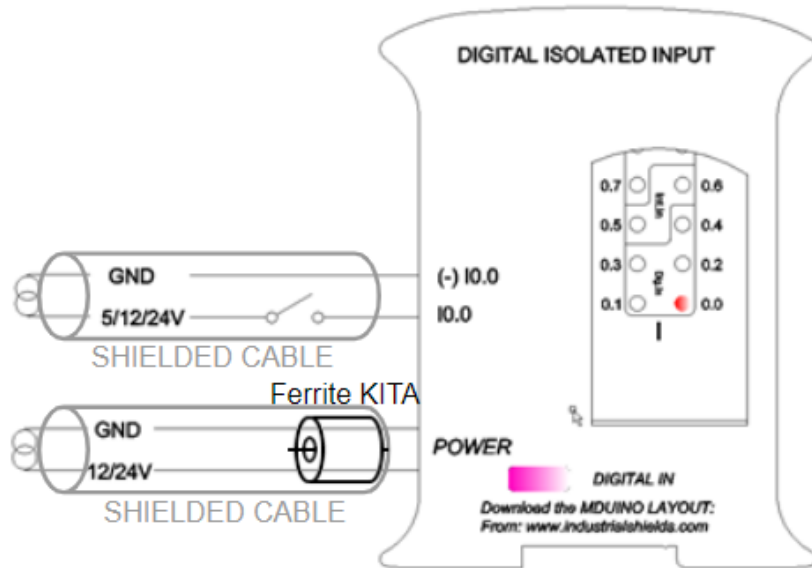
Analog Out Turn-Off:

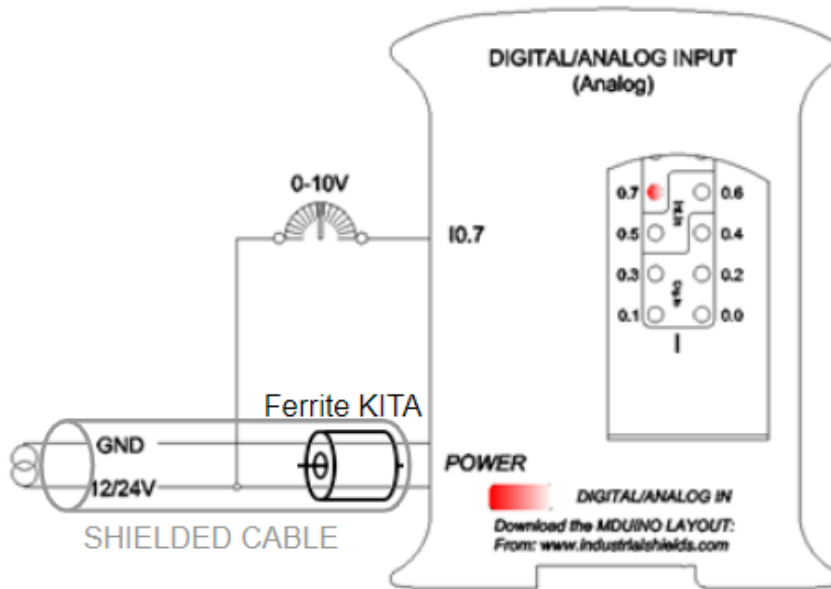
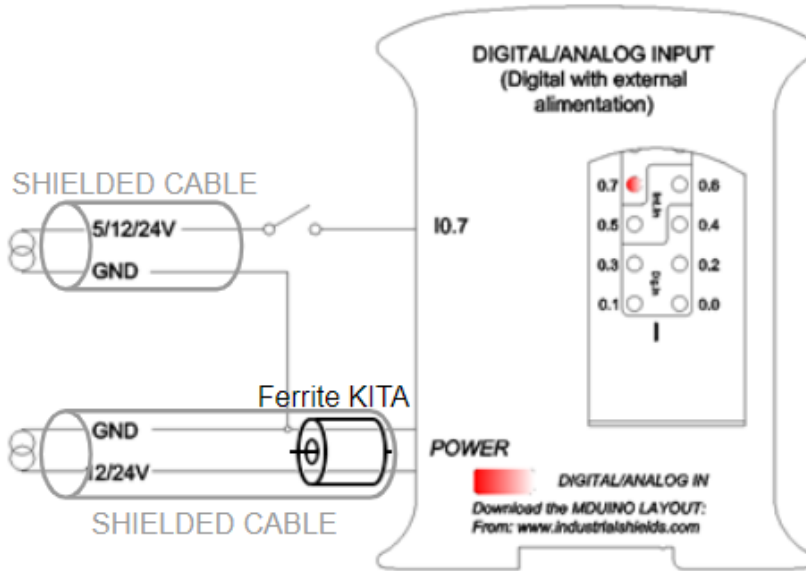


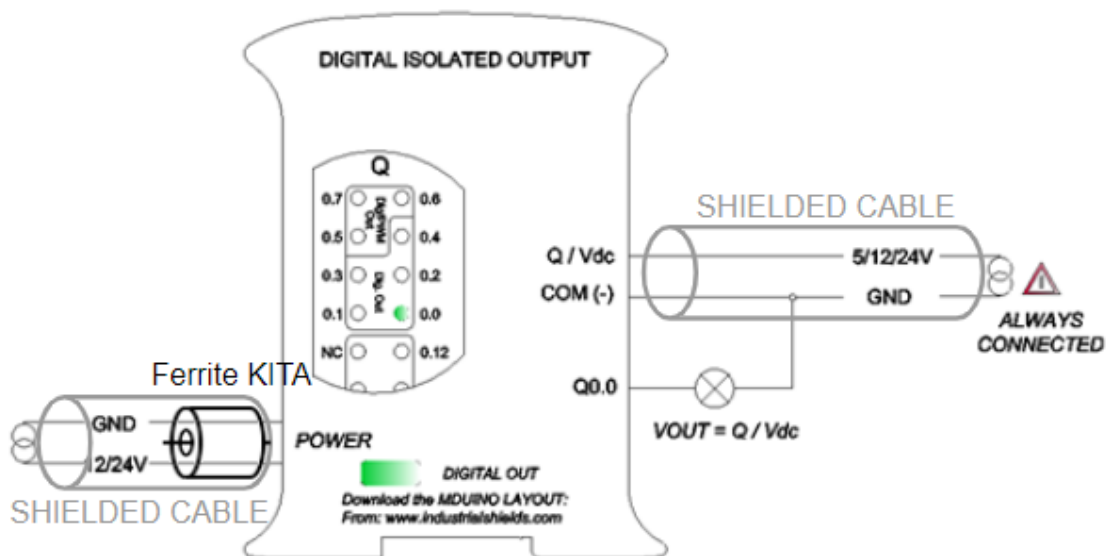
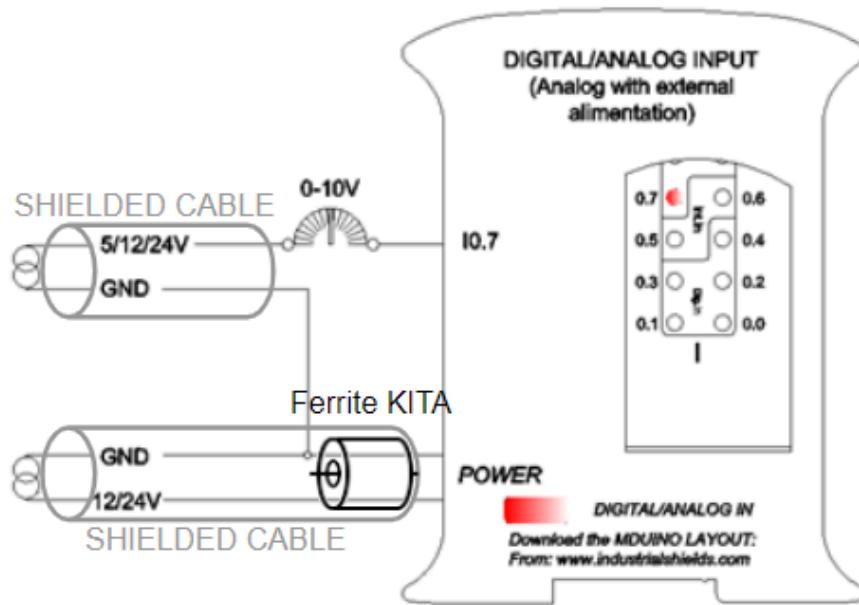
Analog /Digital input Turn-on:



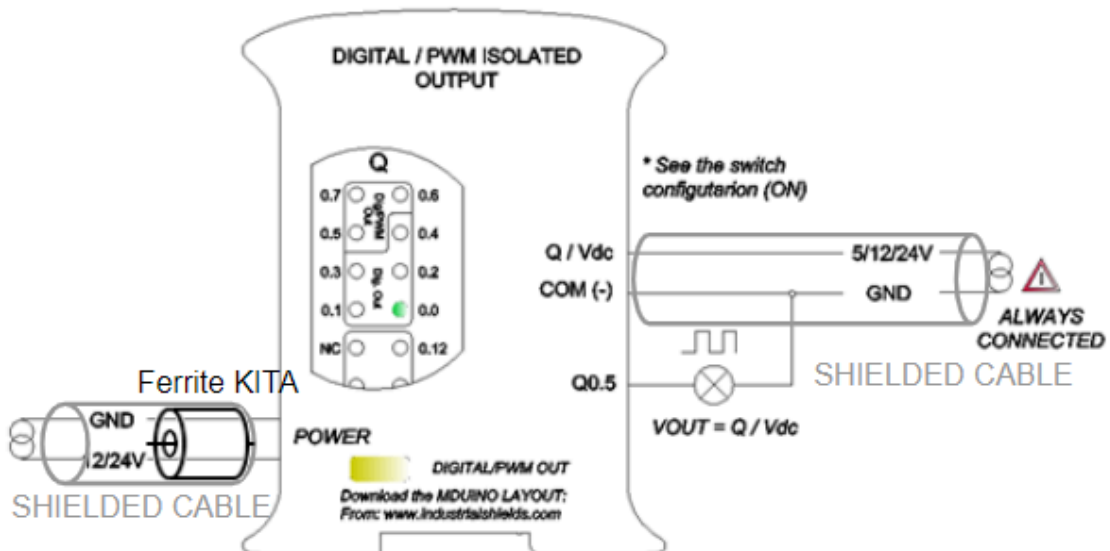
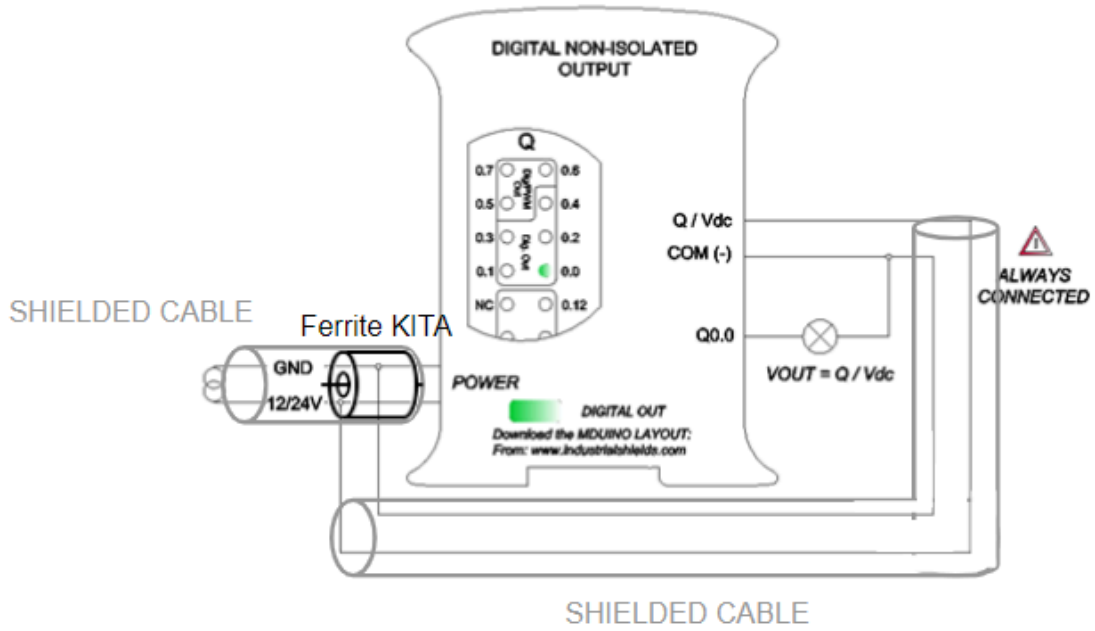
## 16 Typical Connections

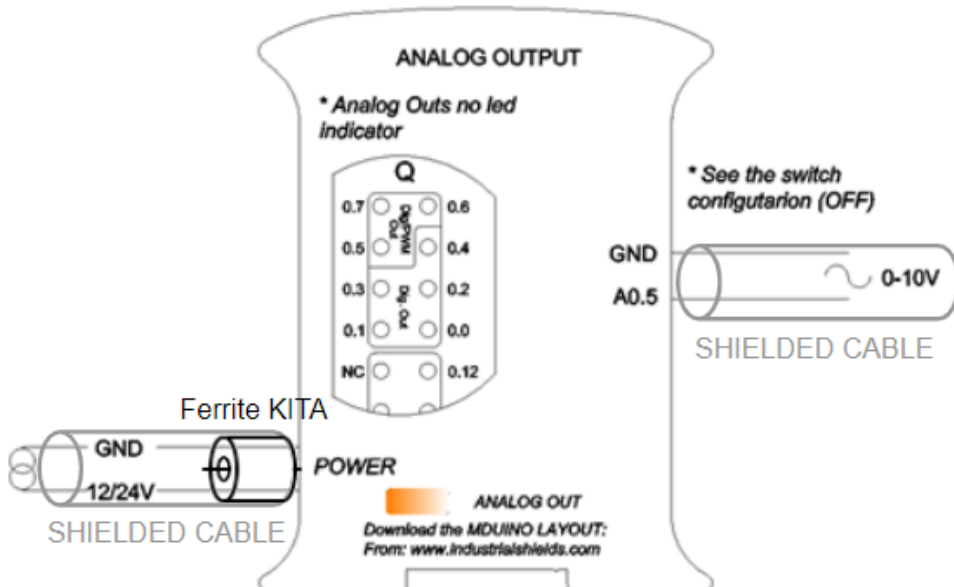
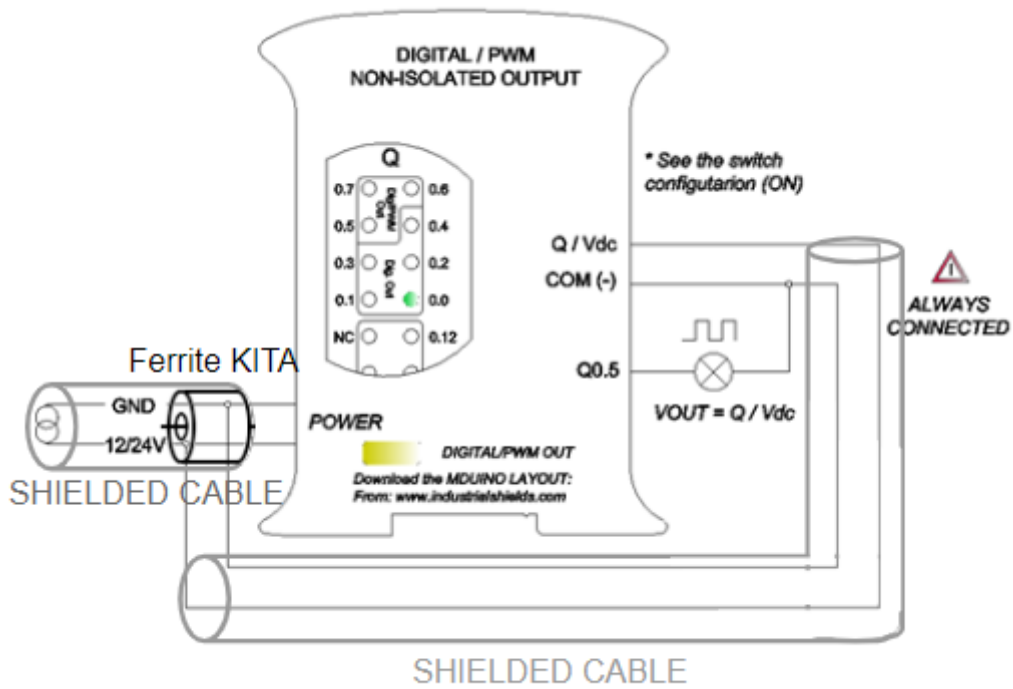












## 17 Connector details

The connector inside the PLCs that mounts on the PCB is [MC 0,5/10-G-2,5 - 1881529](#)<sup>17</sup> connector from Phoenix contact.

In the PLC we can find other connectors too, and these are the references for them:

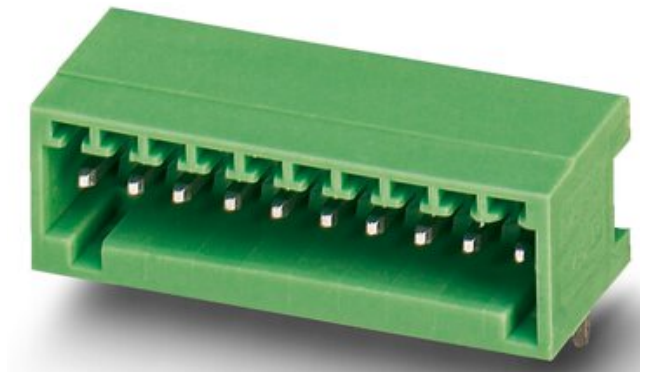
MC 0,5/ 4-G-2,5 - 1881464

MC 0,5/ 6-G-2,5 - 1881480

MC 0,5/ 9-G-2,5 - 1881516

Connection details (10 pins):

|                          |                           |
|--------------------------|---------------------------|
| <b>Article reference</b> | MC 0,5/10-G-2,5 - 1881529 |
| <b>Height</b>            | 8.1 mm                    |
| <b>Pitch</b>             | 2.5 mm                    |
| <b>Dimension</b>         | 22.5 mm                   |
| <b>Pin dimensions</b>    | 0.8 x 0.8 mm              |
| <b>Pin spacing</b>       | 2.5 mm                    |



<sup>17</sup> <https://www.phoenixcontact.com/en-us/products/pcb-header-mc-0510-g-25-1881529>

For I/O and power supply there is a [FK-MC 0,5/10-ST-2,5 - 1881406](#)<sup>18</sup> connector from Phoenix contact.

In the PLC we can find other connectors too, and these are the references for them:

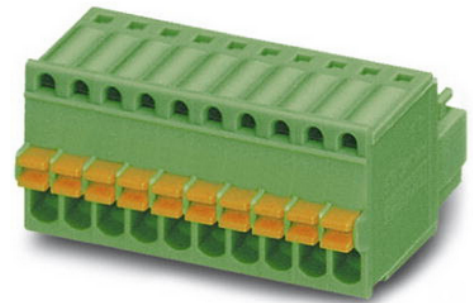
FK-MC 0,5/ 4-ST-2,5 - 1881341

FK-MC 0,5/ 6-ST-2,5 - 1881367

FK-MC 0,5/ 9-ST-2,5 - 1881396

Connection details (10 pins):

| Article reference                     | FK-MC 0,5/10-ST-2,5  |
|---------------------------------------|----------------------|
| <b>Rigid conduit section min.</b>     | 0,14 mm <sup>2</sup> |
| <b>Rigid conduit section max.</b>     | 0,5 mm <sup>2</sup>  |
| <b>Flexible conduit section min.</b>  | 0,14 mm <sup>2</sup> |
| <b>Flexible conduit section max.</b>  | 0,5 mm <sup>2</sup>  |
| <b>Conduit section AWG/kcmil min.</b> | 26                   |
| <b>Conduit section AWG/kcmil max.</b> | 20                   |



We can also find the relay connectors.

<sup>18</sup>

[https://es.farnell.com/phoenix-contact/fk-mc-0-5-10-st-2-5/plug-libre-muelle-2-5-mm-10-v/dp/1792814?CMP=KNC-GEN-KWL-PDP-High-Aov-phoenix-contact-15-July-22&mckv=\\_dc%7Cpcrid%7C603873204419%7C&gclid=Cj0KCQjw\\_viWBhD8ARIsAH1mCd4jIzLvIJs5K\\_3IEpaW5Anqo3FBLu1TwiPFtyKaiP-rj4LSly67bWoaAuLnEALw\\_wcB](https://es.farnell.com/phoenix-contact/fk-mc-0-5-10-st-2-5/plug-libre-muelle-2-5-mm-10-v/dp/1792814?CMP=KNC-GEN-KWL-PDP-High-Aov-phoenix-contact-15-July-22&mckv=_dc%7Cpcrid%7C603873204419%7C&gclid=Cj0KCQjw_viWBhD8ARIsAH1mCd4jIzLvIJs5K_3IEpaW5Anqo3FBLu1TwiPFtyKaiP-rj4LSly67bWoaAuLnEALw_wcB)

[MCV 1.5/ 2-G-3.81 1803426](#)<sup>19</sup> is the female connector, and [MC 1.5/ 2-ST-3.81, GTIN UPC](#)<sup>20</sup> is the male one. Both are from Phoenix Contact.

|                          |                           |
|--------------------------|---------------------------|
| <b>Article reference</b> | MCV 1,5/ 2-G-3,81 1803426 |
| <b>Height</b>            | 12.6 mm                   |
| <b>Pitch</b>             | 3.81 mm                   |
| <b>Dimension a</b>       | 3.81 mm                   |
| <b>Pin dimensions</b>    | 0.8 x 0.8 mm              |



|                          |                             |
|--------------------------|-----------------------------|
| <b>Article reference</b> | MC 1,5/ 2-ST-3,81 - 1803578 |
| <b>Height</b>            | 11.1 mm                     |
| <b>Pitch</b>             | 3.81 mm                     |
| <b>Dimension a</b>       | 3.81 mm                     |



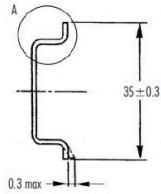
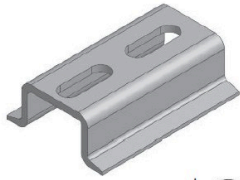
<sup>19</sup>

[https://www.tme.eu/es/details/mcv1.5\\_2-g-3.81/bloque-de-bornas-extraibles/phoenix-contact/mcv-1-5-2-g-3-81-1803426/?brutto=1&currency=EUR&gclid=Cj0KCQjw\\_viWBhD8ARIsAH1mCd763F0sGBmfjy5pmZm9dKysA6ePciWt8md8utGsZX1OfLpgsBx4mnoaAo9GELw\\_wcB](https://www.tme.eu/es/details/mcv1.5_2-g-3.81/bloque-de-bornas-extraibles/phoenix-contact/mcv-1-5-2-g-3-81-1803426/?brutto=1&currency=EUR&gclid=Cj0KCQjw_viWBhD8ARIsAH1mCd763F0sGBmfjy5pmZm9dKysA6ePciWt8md8utGsZX1OfLpgsBx4mnoaAo9GELw_wcB)

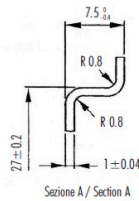
<sup>20</sup>

[https://es.farnell.com/phoenix-contact/1803578/terminal-block-pluggable-2pos/dp/3704907?gclid=Cj0KCQjw\\_viWBhD8ARIsAH1mCd6YjA37NqmaafFBXgbRyGExfAM8qDodVOWZPFysLLQhnVygDn8ufNslaAmgYELw\\_wcB&mckv=\\_dc%7Cpcrid%7C575710444791%7Cplid%7C%7Ckword%7C%7Cmatch%7C%7Cslid%7C%7Cproduct%7C3704907%7Cpgrid%7C131987845643%7Cptaid%7Cpla-372506228807&CMP=KNC-GES-GEN-SMART-SHOPPING-High-Jan-2022&gross\\_price=true](https://es.farnell.com/phoenix-contact/1803578/terminal-block-pluggable-2pos/dp/3704907?gclid=Cj0KCQjw_viWBhD8ARIsAH1mCd6YjA37NqmaafFBXgbRyGExfAM8qDodVOWZPFysLLQhnVygDn8ufNslaAmgYELw_wcB&mckv=_dc%7Cpcrid%7C575710444791%7Cplid%7C%7Ckword%7C%7Cmatch%7C%7Cslid%7C%7Cproduct%7C3704907%7Cpgrid%7C131987845643%7Cptaid%7Cpla-372506228807&CMP=KNC-GES-GEN-SMART-SHOPPING-High-Jan-2022&gross_price=true)

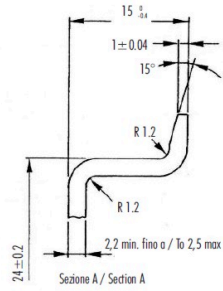
## 18 DIN Rail mounting



Profilato a cappello TH 35-7,5  
Top hat rail TH 35-7,5



Profilato a cappello TH 35-15  
Top hat rail TH 35-15



| CARATTERISTICHE           | METODO                                 | UNITA' DI MISURA | BLENDE PC/ABS     |        |
|---------------------------|--|------------------|-------------------|--------|
| Meccaniche                | Resistenza a trazione allo staccamento | ASTM D638        | MPa               | 68     |
|                           | Resistenza a trazione a rottura        | ASTM D638        | MPa               | 48     |
|                           | Allungamento a rottura                 | ASTM D638        | %                 | 59     |
|                           | Modulo in flessione                    | ASTM D790        | MPa               | 2894   |
| Termiche                  | Proof Load con intaglio                | ISO 180/14       | KJ/m <sup>2</sup> | 5.5    |
|                           | Temp. di rammolimento Visc. metodo B   | ASTM D1525       | °C                | 114    |
| Fisiche                   | Temperatura Kiersto 1.81 MPa           | ASTM D648        | °C                | 97     |
|                           | Peso specifico                         | ASTM D792        | g/cm <sup>3</sup> | 1.21   |
|                           | Dist. nello stampo                     | ASTM D955        | %                 | 0.40.6 |
| Comportamento alla fiamma | Heat Flow Index 260°C - 98N            | ASTM D1238       | g/10'             | 11.1   |
|                           | Filo Incondens. 3.2 mm                 | IEC6052.1        | °C                | 960    |

Italtronic si riserva il diritto di modificare il materiale con cui realizza i propri prodotti senza obbligo di preavviso.

| FEATURES        | TEST METHOD                           | UNITS      | BLENDE PC/ABS     |        |
|-----------------|---------------------------------------|------------|-------------------|--------|
| Mechanical test | Resistance to tensile stress at yield | ASTM D638  | MPa               | 68     |
|                 | Tensile strength                      | ASTM D638  | MPa               | 48     |
|                 | Ultimate elongation                   | ASTM D638  | %                 | 59     |
|                 | Flexing modulus                       | ASTM D790  | MPa               | 2894   |
| Thermal test    | Proof Load notched                    | ISO 180/14 | KJ/m <sup>2</sup> | 5.5    |
|                 | Visc softening temperature method B   | ASTM D1525 | °C                | 114    |
| Physical test   | Rolling temperature 1.81 MPa          | ASTM D648  | °C                | 97     |
|                 | Specific gravity                      | ASTM D792  | g/cm <sup>3</sup> | 1.21   |
|                 | Mold shrinkage                        | ASTM D955  | %                 | 0.40.6 |
| Flame test      | Heat Flow Index 260°C - 98N           | ASTM D1238 | g/10'             | 11.1   |
|                 | Self extinguisher (thickness in mm)   | IEC6052.1  | °C                | 960    |

Italtronic can operate any change of the materials without being obliged to forewarn.

**For optimal operation of the product, it must be located in an electrical cabinet with IK08 mechanical protection. The minimum IP protection degree required is IP56.**

## 19 Installation and Maintenance

### Notes for installation:

- The installation position should be free from the following: dust or oil smoke, conductive dust, corrosive or flammable gas, high temperature, condensation, and rain.
- Besides, vibration and impact also affect the PLC normal operation and shorten its lifespan; electric shock, fire or misact also damages the product. During drilling or wiring, prevent the metal particles or wire segments from falling into the PLC casing, which may cause fire, fault or misact.
- After the PLC installation, clean the ventilation duct to prevent blocking, which may cause bad ventilation, or even fire, faults or misact.
- Do not online connect, plug or unplug cables, which are apt to cause electric shock or damage the circuit. Installation and wire connection must be firm and reliable. Poor connection could cause a misact.
- Use shielded twisted pairs for the I/O of high frequency signal and analog signal to improve system IMS.

The installation environment should be free from dust, oil smoke, conductive particles, corrosive or flammable gases, high temperature, condensation, and rain.

Besides, vibration and impact also affect the PLC normal operation and shorten its lifespan. It is recommended to install the PLC, together with the matching switches and contactors, in a dedicated electric cabinet and keep the cabinet ventilated. If the location has high ambient temperature or heat generating equipment nearby, install forced convection devices on top or sides of the cabinet to avoid over-temperature. During drilling or wiring, prevent the metal particles or wire segments from falling into the PLC casing, which may cause fire, fault or misact. After the PLC installation, clean the ventilation duct to prevent blocking, which may cause bad ventilation, or even fire, faults or misact.

The only way to disconnect the equipment from the electrical network is by removing the connectors that feed the equipment. Once installed in the electrical cabinet it is very important to ensure the power connectors for proper operation.

### Separate the M-Duino Family PLC from heat, high voltage and electrical noise:

Always separate the devices that generate high voltage and high electrical noise from the M-Duino. When configuring the layout of the M-Duino inside your panel, consider the heat-generating devices and locate the electronic-type devices in the cooler areas of your cabinet. Reducing the exposure to a high-temperature environment will extend the operating life of any electronic device. Consider also the routing of the wiring for the devices in the electric cabinet. Avoid placing low-voltage signal wires and communications cables in the same tray with AC power wiring and high energy, rapidly-switched DC wiring.

Provide adequate clearance for cooling and wiring M-Duino. Is designed for natural convection cooling. For proper cooling, you must provide a clearance of at least 25 cm above and below the devices. Also, allow at least 25 cm of depth between the front of the modules and the inside of the enclosure.

### Notes for maintenance:

A well-planned and executed maintenance program is essential to the satisfactory operation of solid-state electrical equipment. The kind and frequency of the maintenance operation will vary with the kind and complexity of the equipment as well as with the nature of the operating conditions. Maintenance recommendations of the manufacturer or appropriate product standards should be followed.

The following factors should be considered when formulating a maintenance program:

- Maintenance must be performed by qualified personnel familiar with the construction, operation, and hazards involved with the control.
- Maintenance should be performed with the control out of operation and disconnected from all sources of power.
- Care should be taken when servicing electrostatic sensitive components. The manufacturer's recommendations for these components should be followed.
- Ventilation passages should be kept open. If the equipment depends upon auxiliary cooling, e.g., air, water, or oil, periodic inspection (with filter replacement when necessary) should be made of these systems.
- The means employed for grounding or insulating the equipment from ground should be checked to assure its integrity.
- Accumulations of dust and dirt on all parts, including on semiconductor heat sinks, should be removed according to the manufacturer's instructions, if provided; otherwise, the manufacturer should be consulted. Care must be taken to avoid damaging any delicate components and to avoid displacing dust, dirt, or debris in a way that permits it to enter or settle into parts of the control equipment.
- Enclosures should be inspected for evidence of deterioration. Accumulated dust and dirt should be removed from the top of the enclosures before opening doors or removing covers.
- Certain hazardous materials removed as part of maintenance or repair procedure (e.g., polychlorinated biphenyls (PCBs) found in some liquid filled capacitors) must be disposed of as described in Federal regulations.

### Safety rules for maintenance personnel

Consider the following steps to follow. A false manoeuvre could be the cause of an accident or material damage.

Do not disassemble or modify the modules. This could lead to breakdowns or malfunctions and could lead to injuries or fire.

- All types of radio communication devices, including mobile phones and personal handy-phone systems (PHS), must be kept more than **25 cm** away from the PLC in all directions. Failure to observe this precaution exposes malfunctions caused by an excess of temperature.
- Disconnect the external power supply of the system (on all phases) before connecting or disconnecting a module. Failure to observe this precaution may cause faults or malfunctions of the module.
- Tighten the screws of the terminal ports and the screws of the connectors within the prescribed tightening torque. Insufficient tightening can lead to loose parts or wires



and cause malfunctions. Excessive tightening can damage the screws and / or the module, with the risk of falling, short circuits and malfunctions.

- Before handling a module, dispose of the electrostatic charge accumulated by the human body by touching a suitable conductive object. Failure to observe this precaution may cause faults or malfunctions of the module.

**Repair note:**

If the equipment is suitable to be repaired, it must be verified that the equipment remains in a safe state after repair.

## 20 Revision Table

| Revision Number | Date       | Changes   |
|-----------------|------------|---|
| 0               | 27/08/2020 | First implementation                                  |
| 1               | 01/12/2021 | I/O's serigraphy changed                              |
| 2               | 04/10/2022 | M-Duino LoRa Family User Manual Implementation        |
| 3               | 27/07/2023 | Pinout count changed                                  |
| 4               | 11/03/2024 | Added section 14 "Digital inputs threshold detection" |
| 5               | 26/09/2024 | Added section 3.4 ("Isolation Precautions")           |
| 6               | 03/12/2024 | Removed wrong IORef pin reference                     |

About Industrial Shields:

Direction: Camí del Grau, nº25

Zip/Postal Code: 08272

City: Sant Fruitós de Bages (Barcelona)

Country: Spain

Telephone: (+34) 938 760 191 / (+34) 635 693 611

Mail: [industrialshields@industrialshields.com](mailto:industrialshields@industrialshields.com)